

# CHIMNEY SOLUTION MINIFLEX

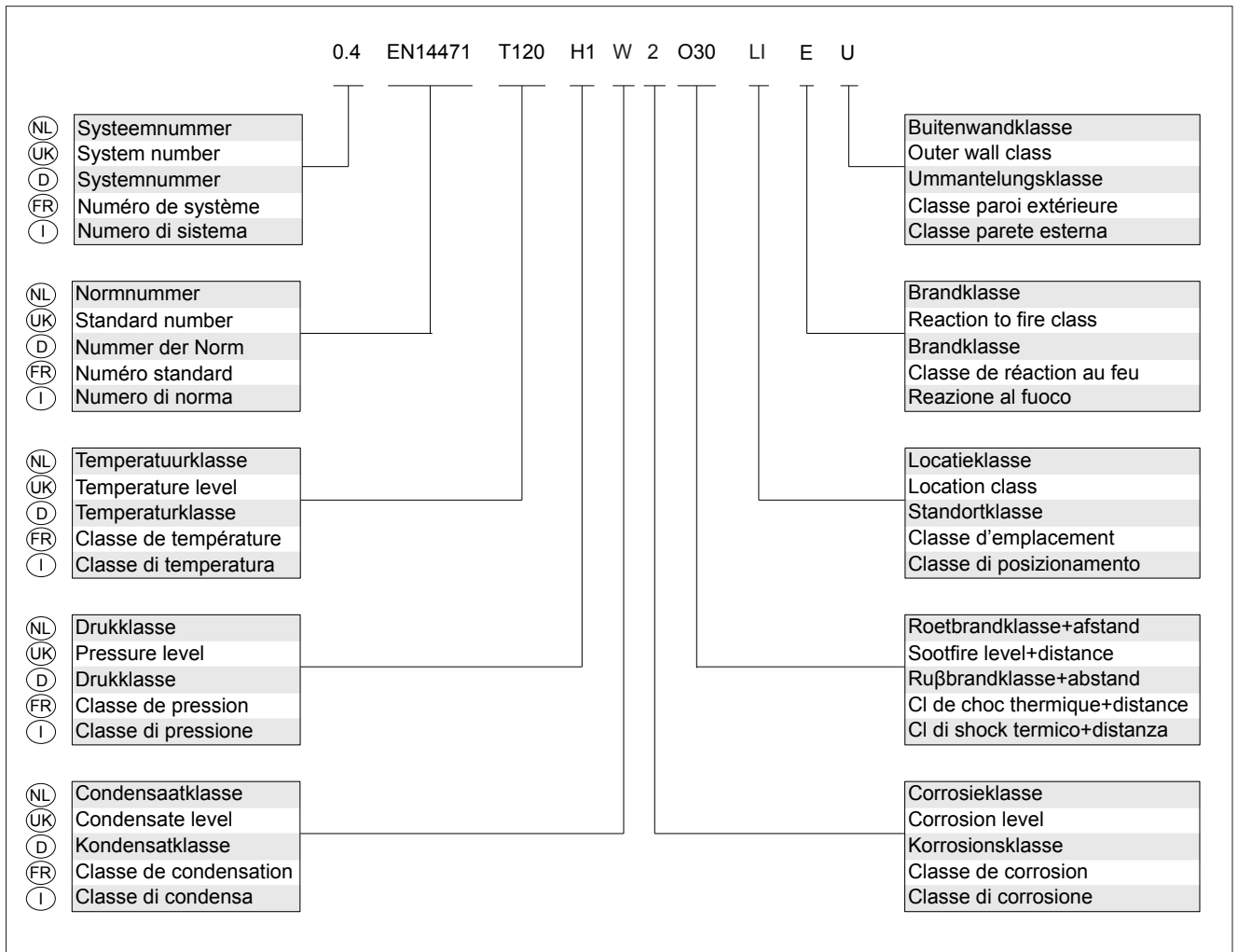
## INSTALLATION INSTRUCTION

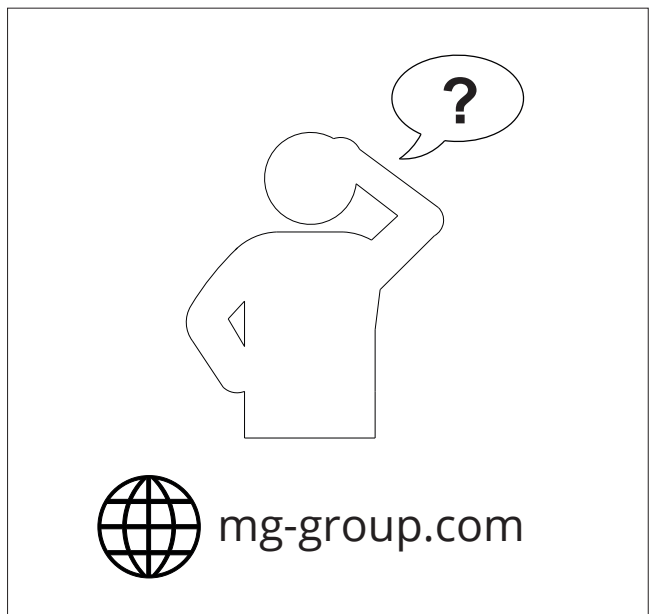
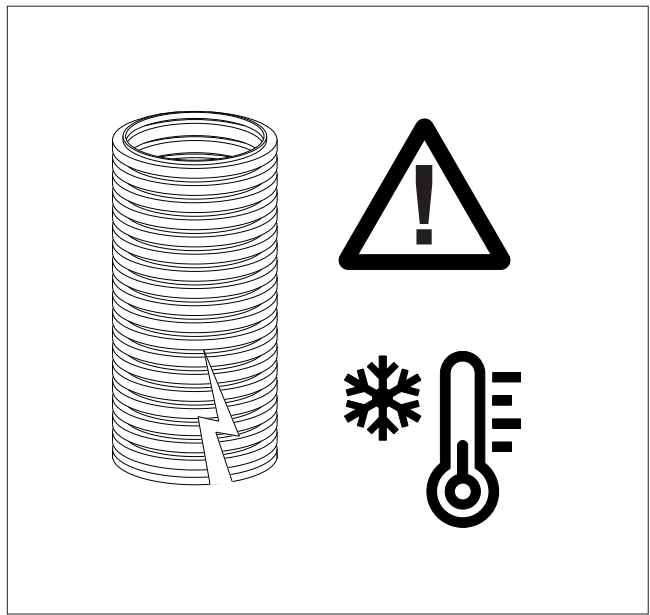
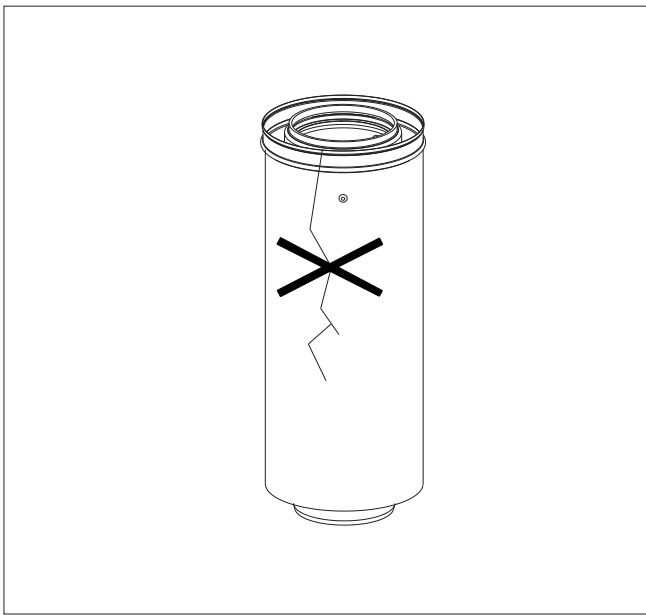
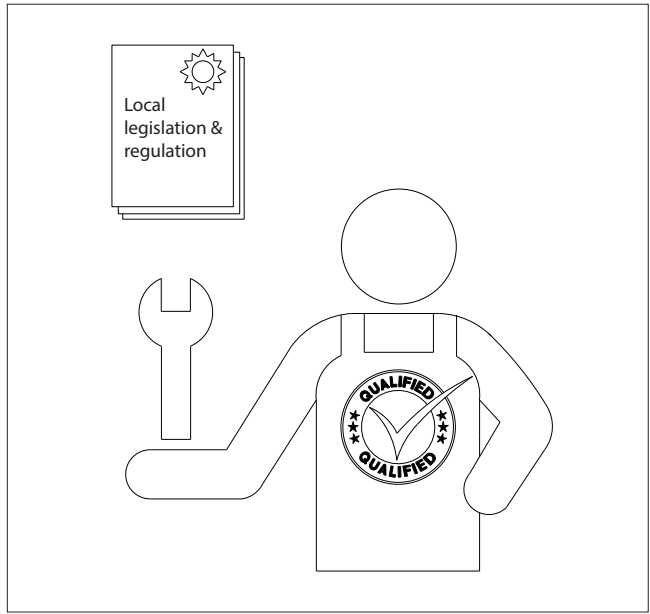
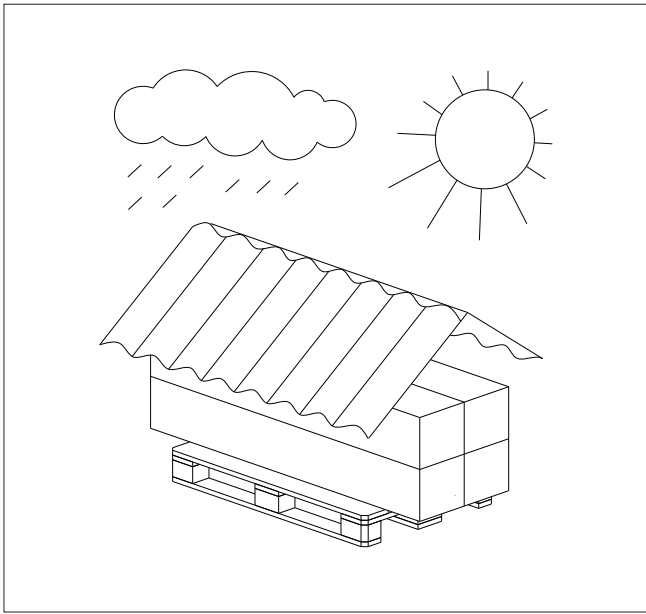
MAKING  
SYSTEMS  
WORK



M&G Group®

# SYSTEM SPECIFICATIONS





# A/B/C/D

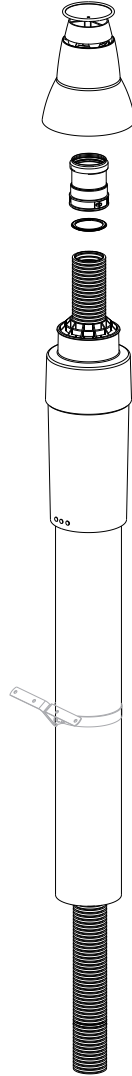
**A**

60 mm



**B**

60 mm



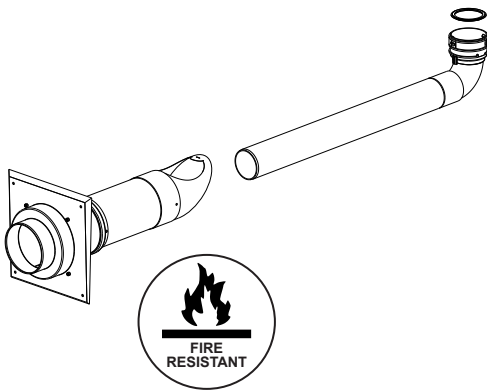
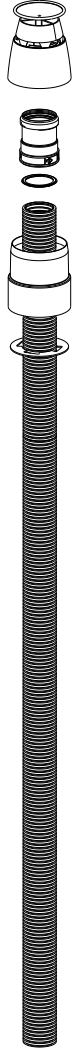
**C**

60 mm

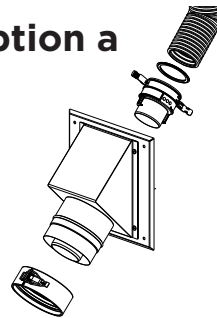


**D**

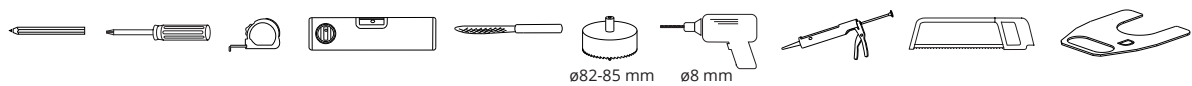
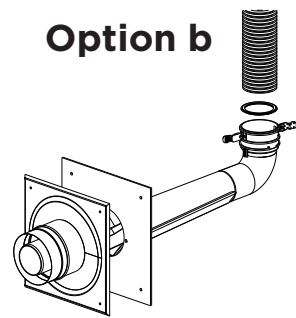
60 mm



**Option a**

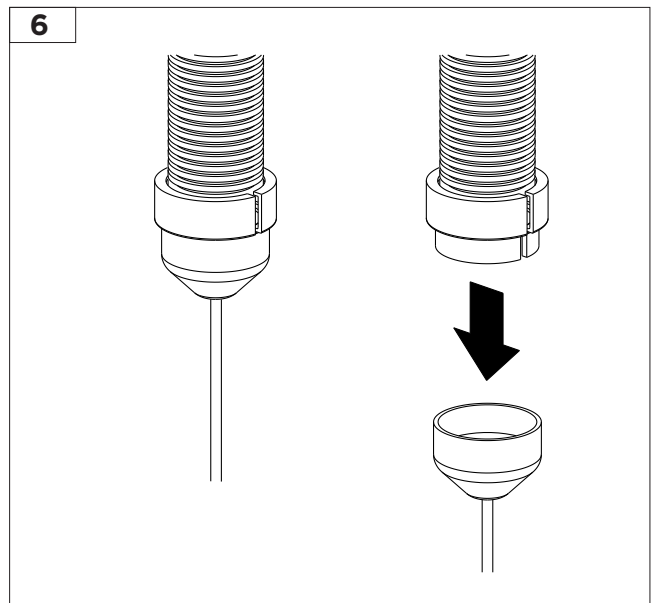
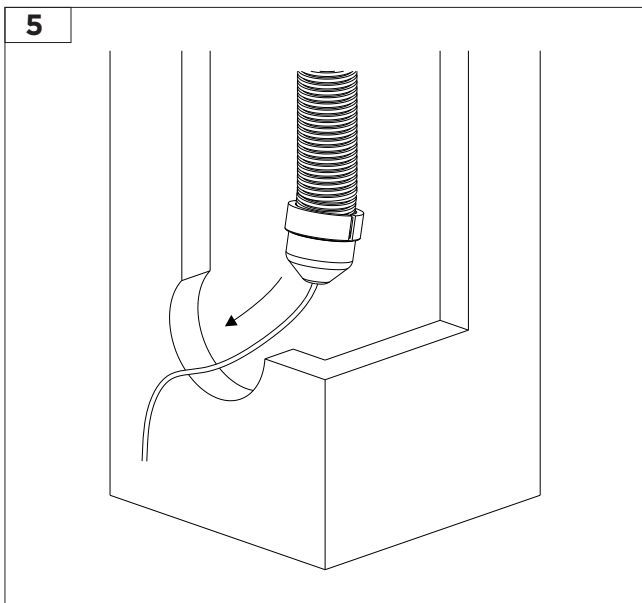
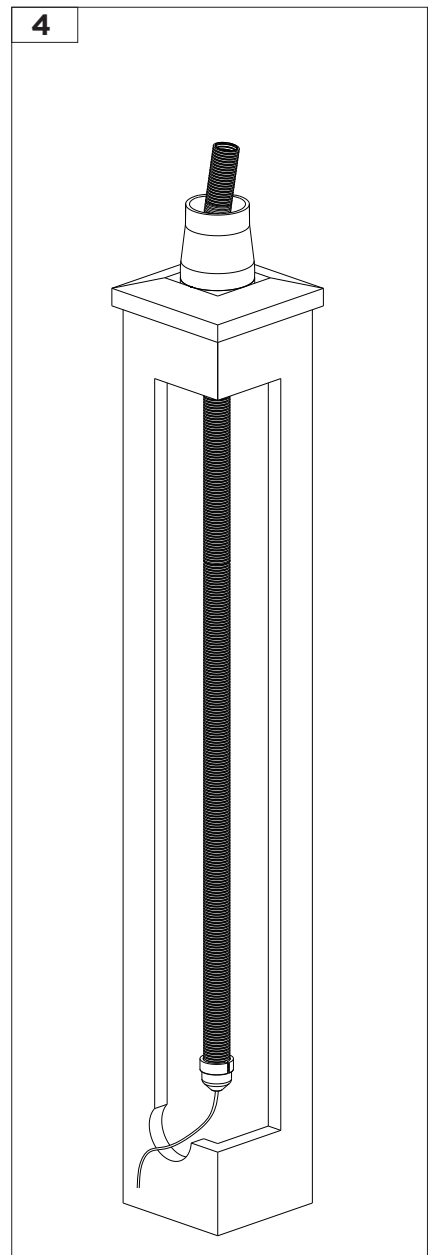
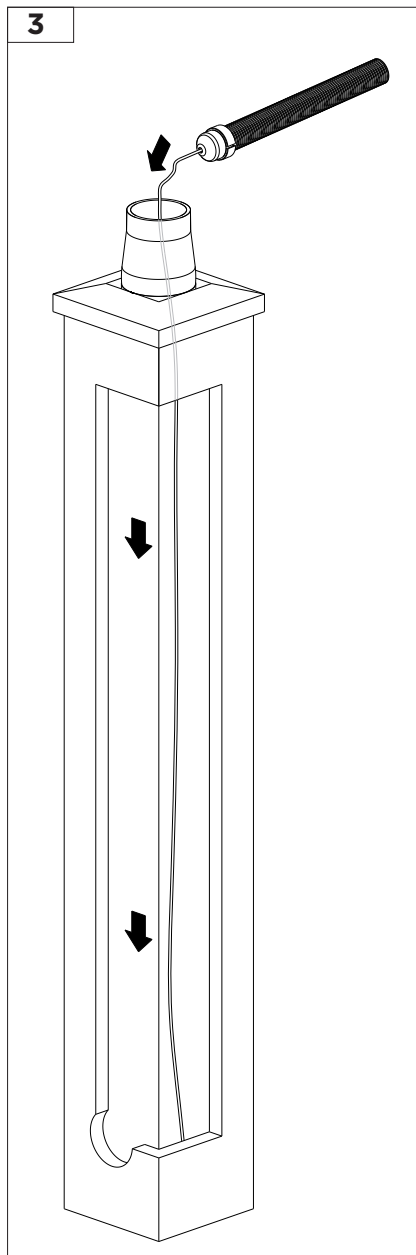
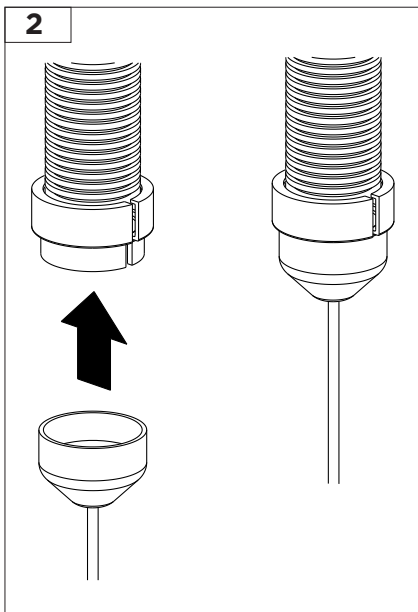
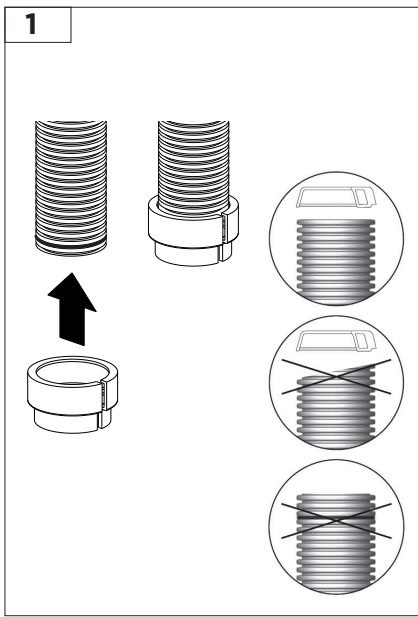


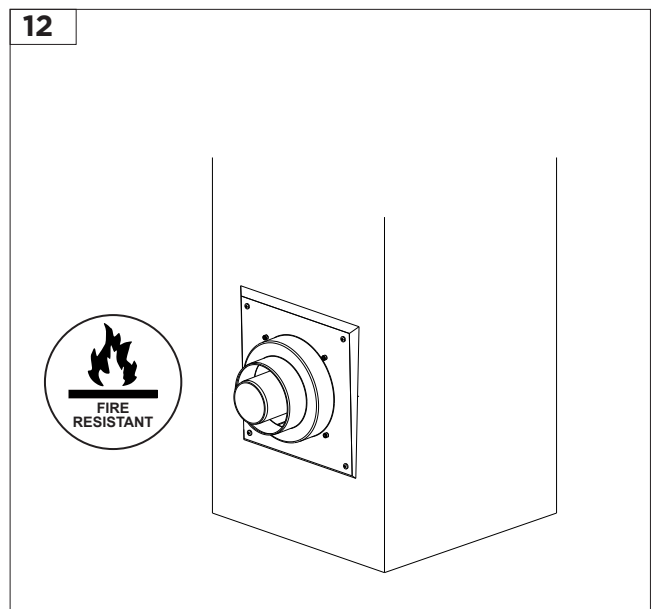
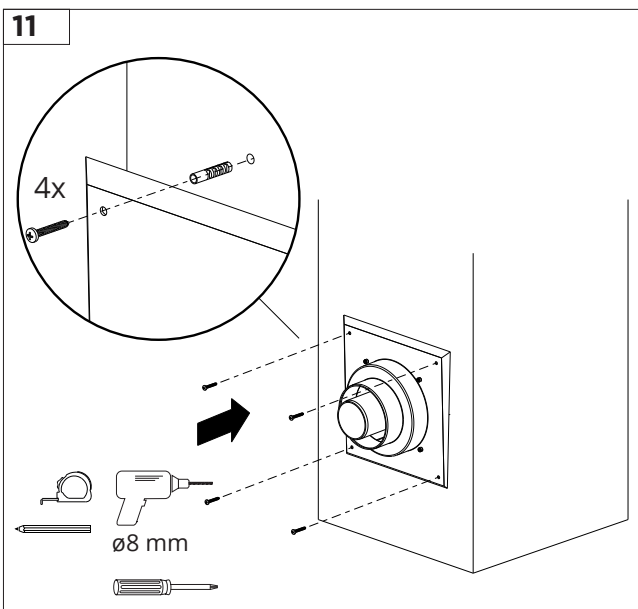
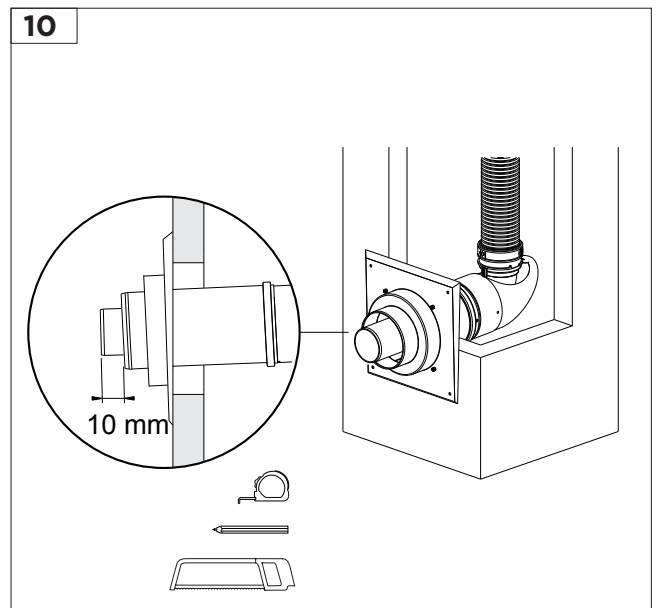
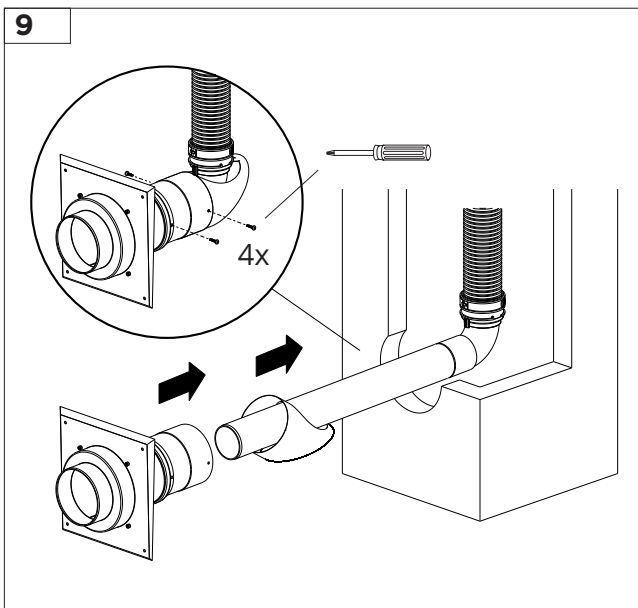
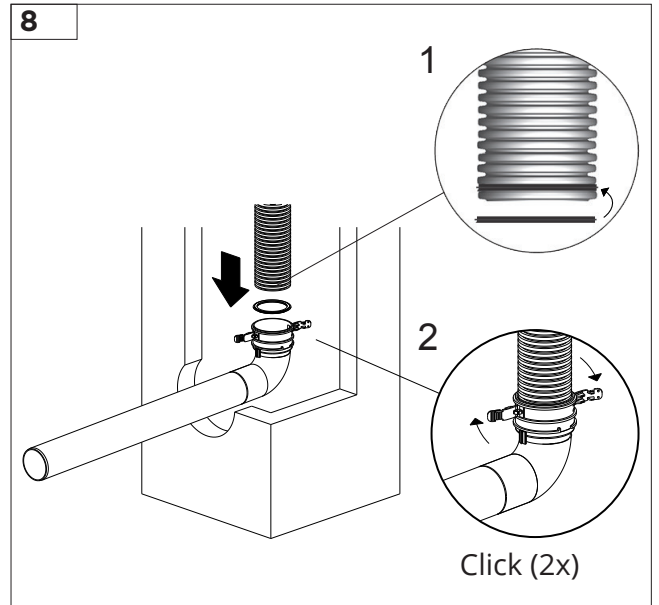
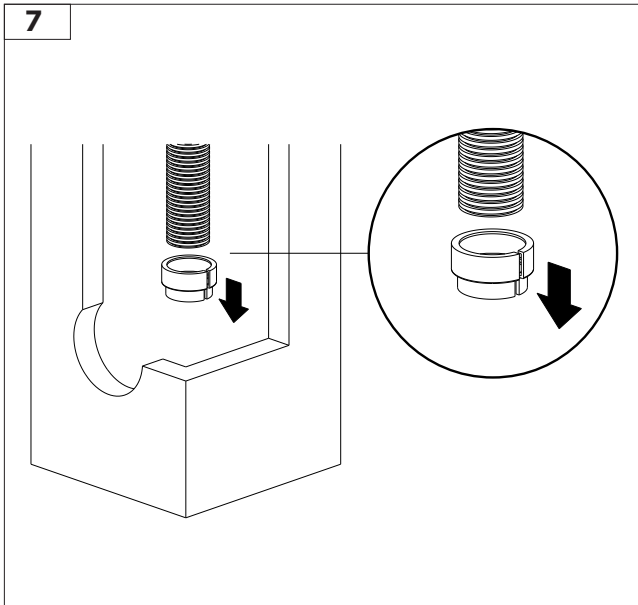
**Option b**



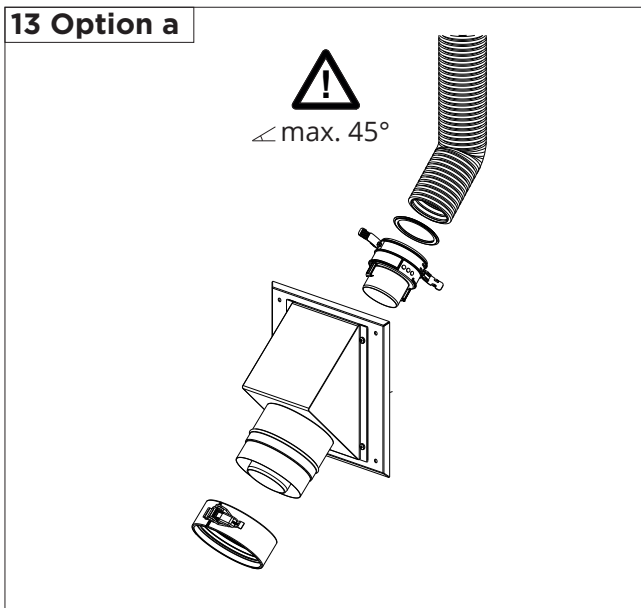


A

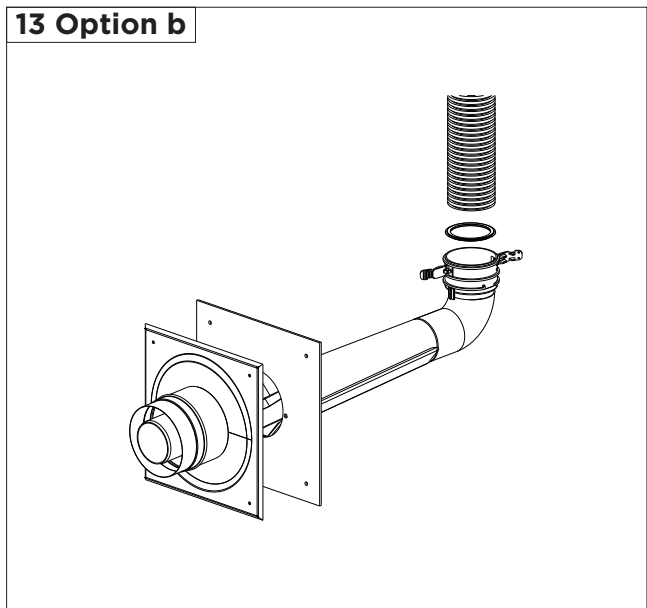


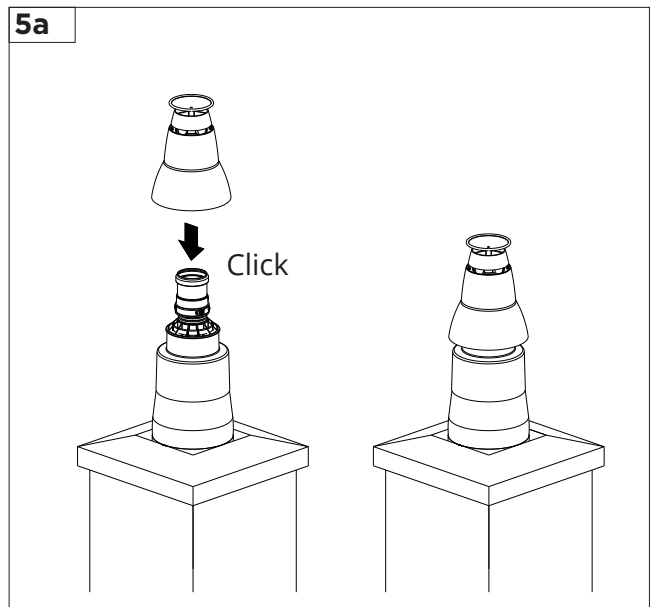
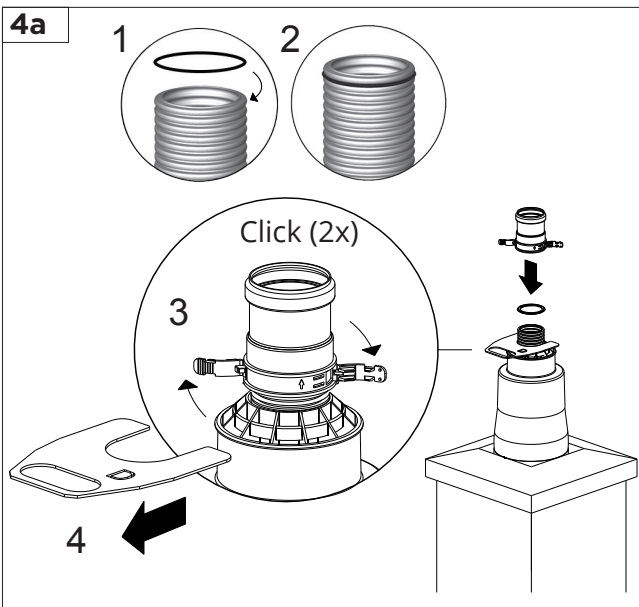
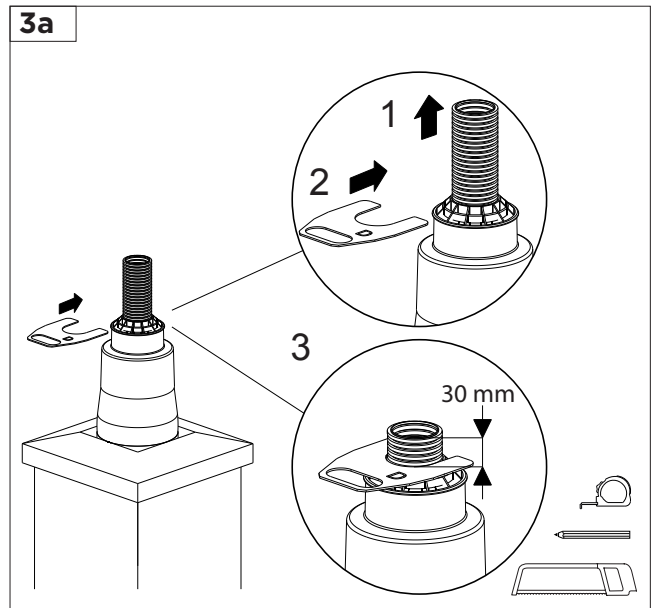
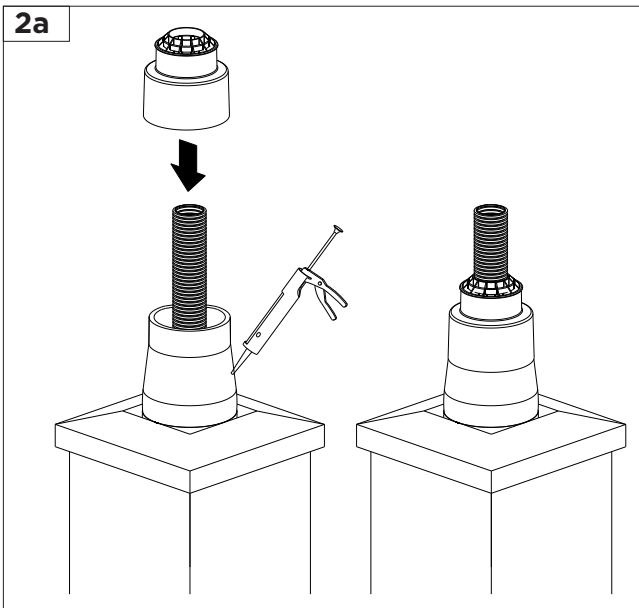
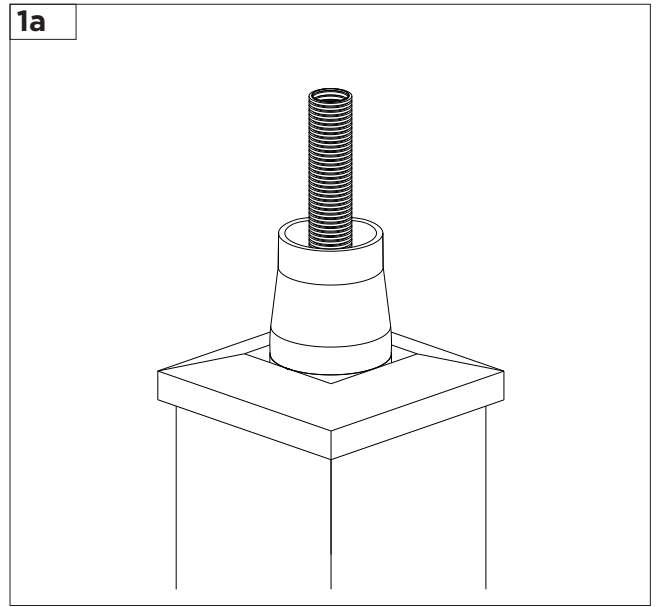
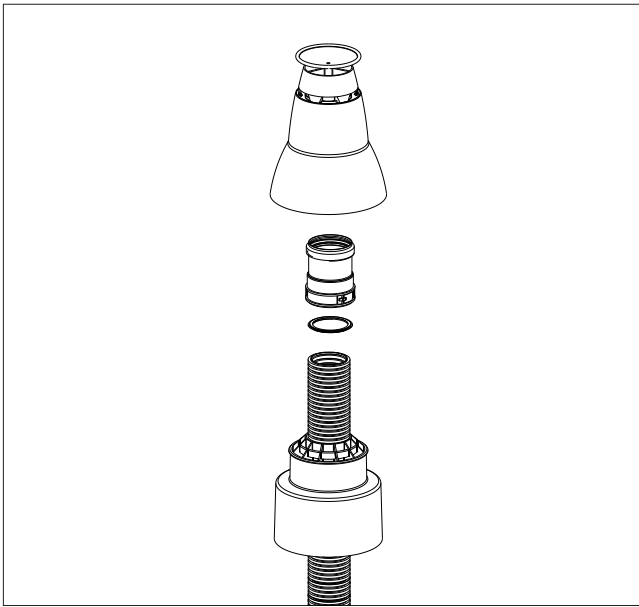


13 Option a

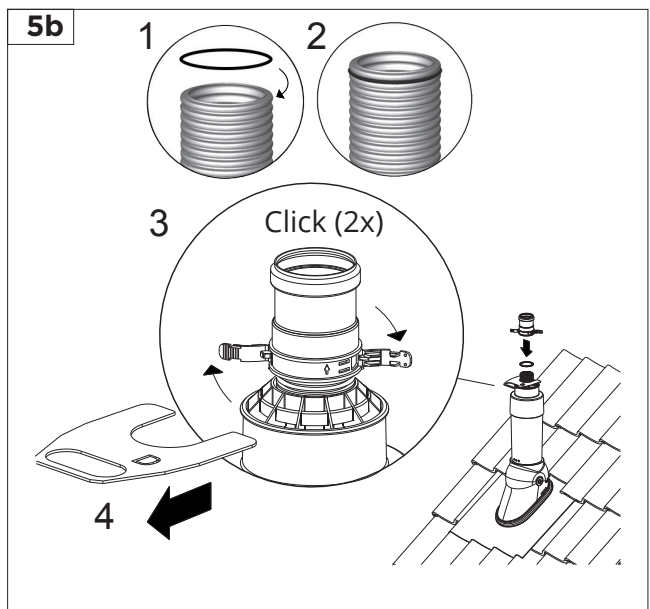
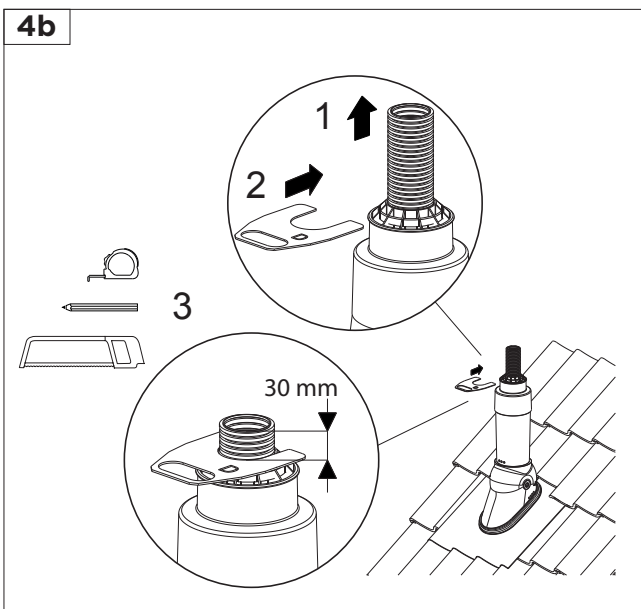
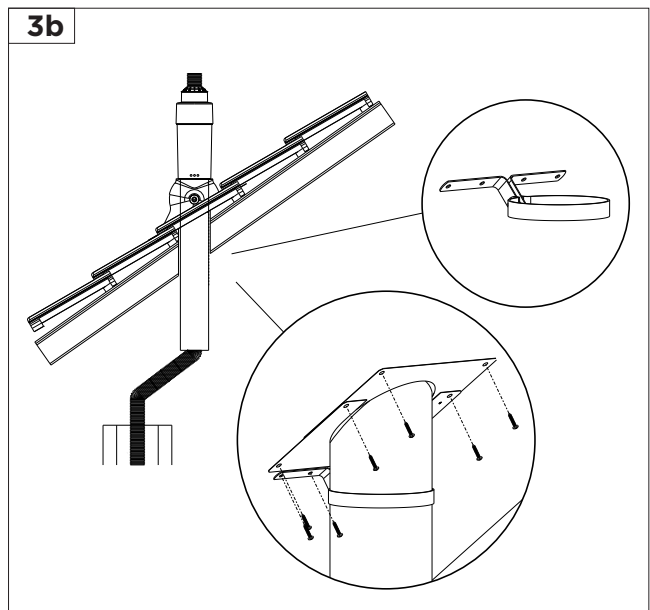
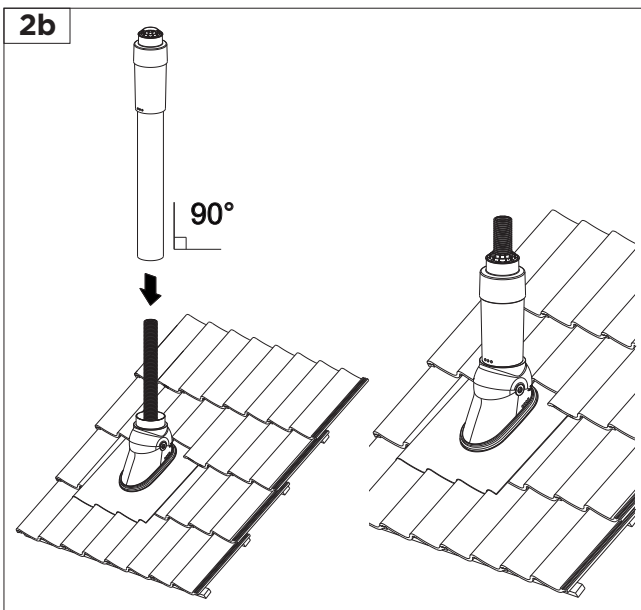
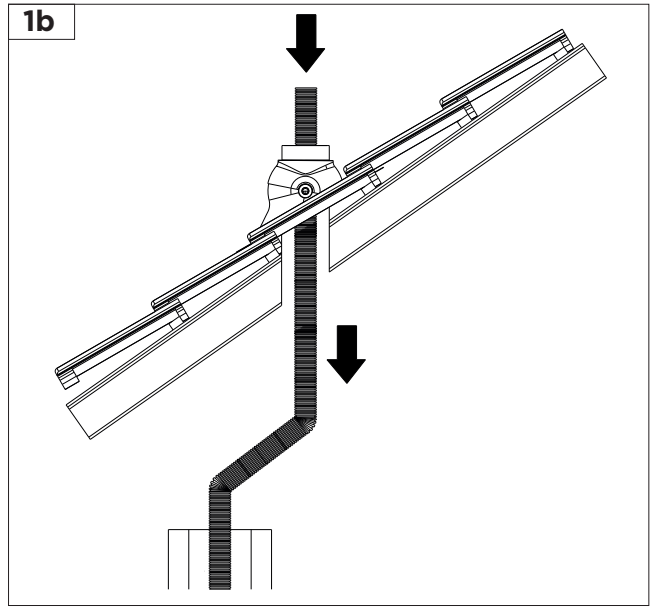
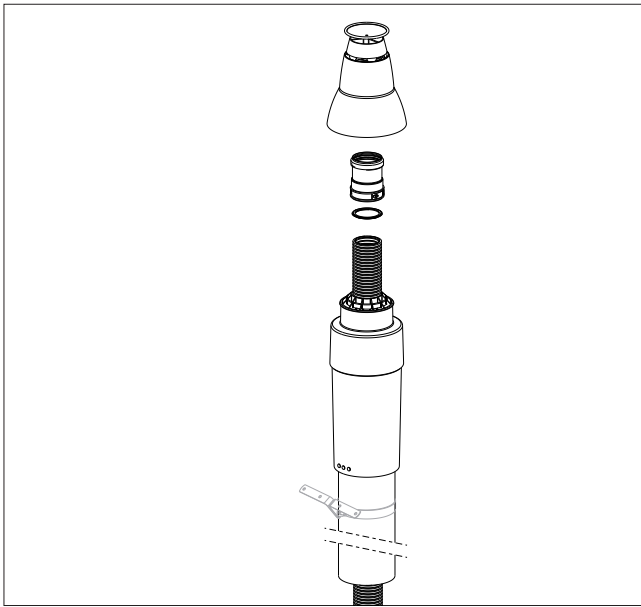


13 Option b



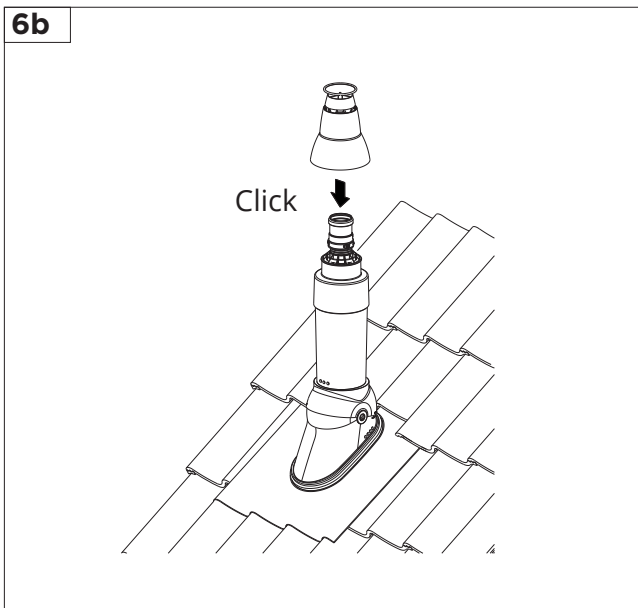




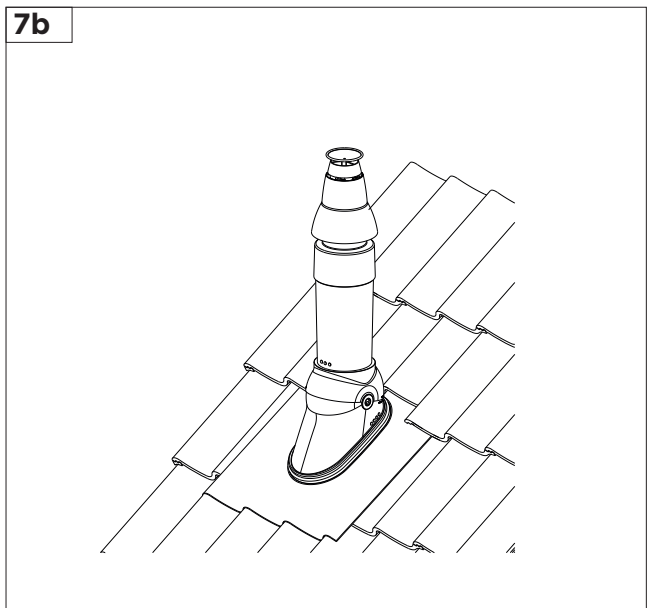


# B

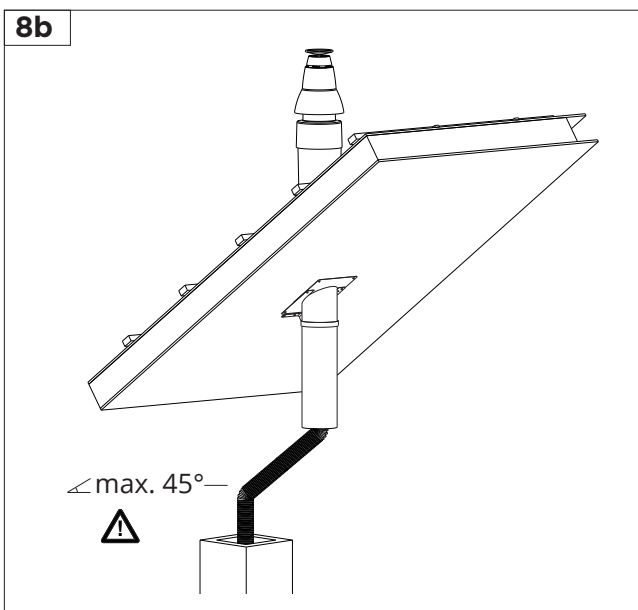
6b



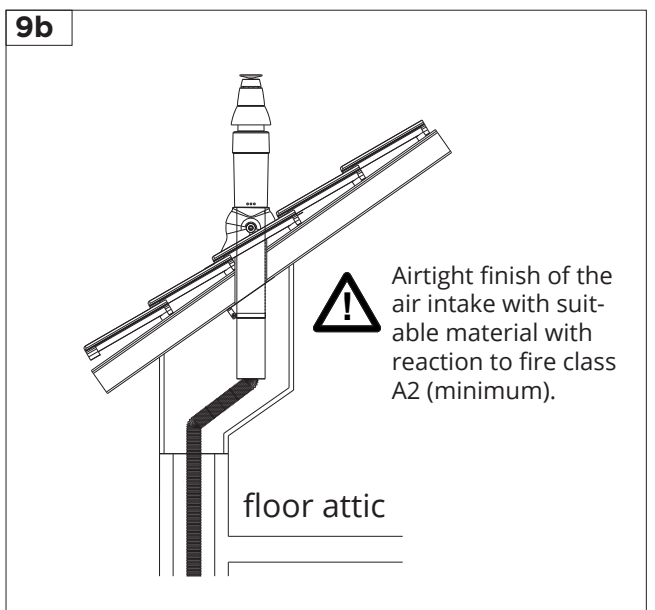
7b



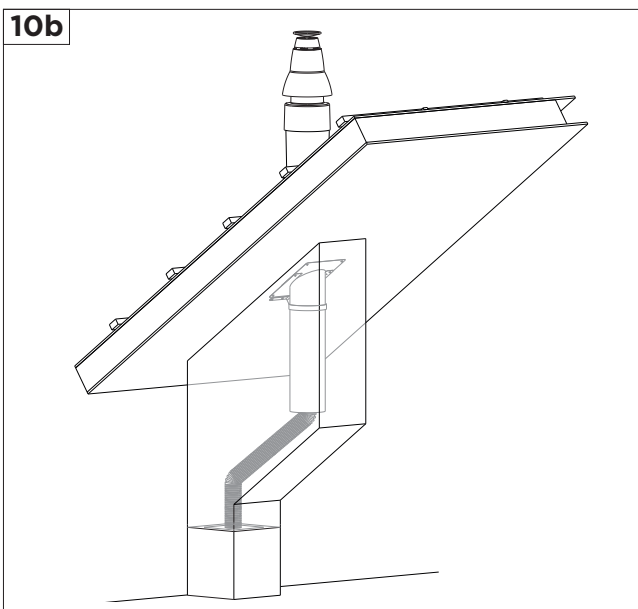
8b

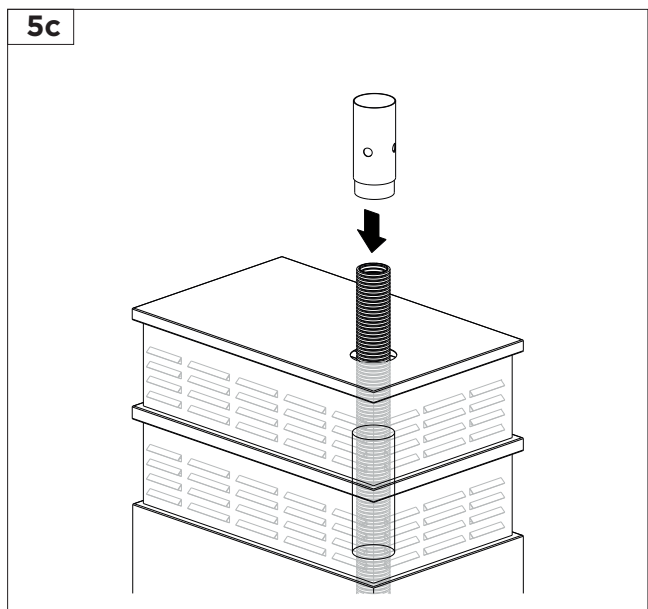
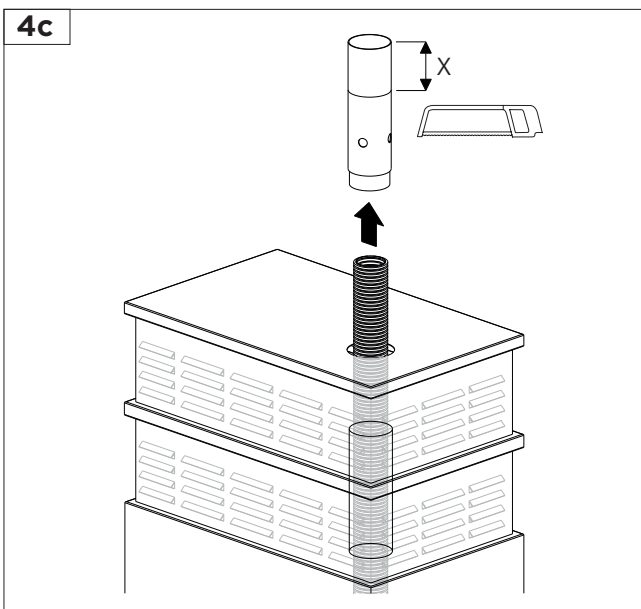
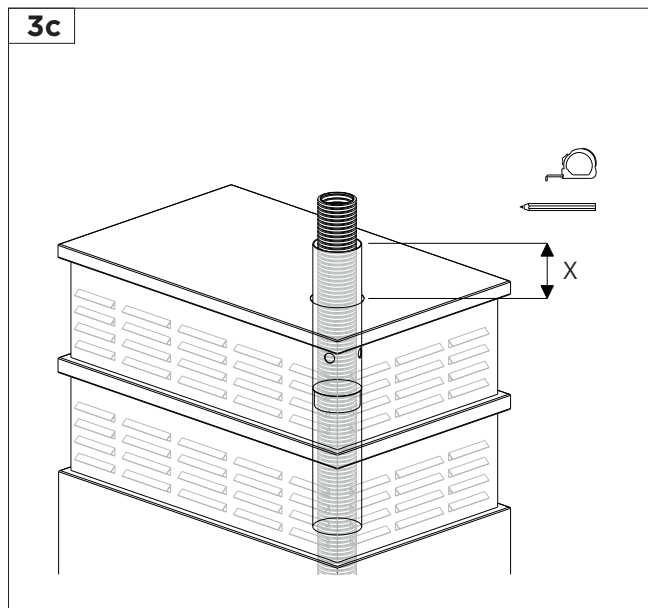
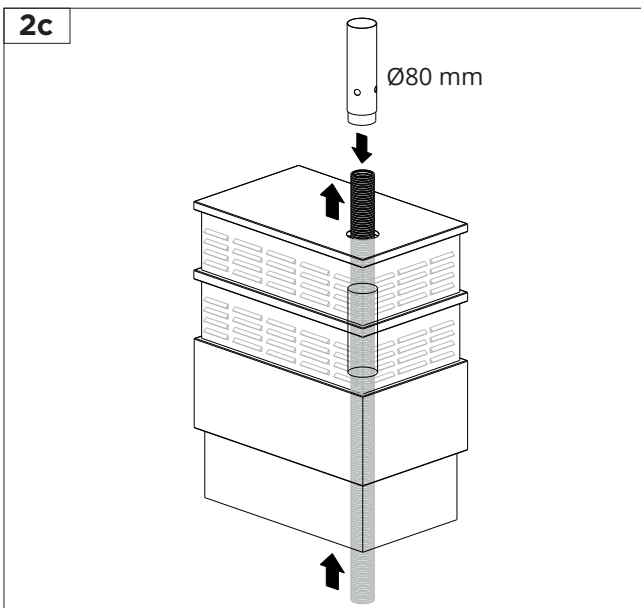
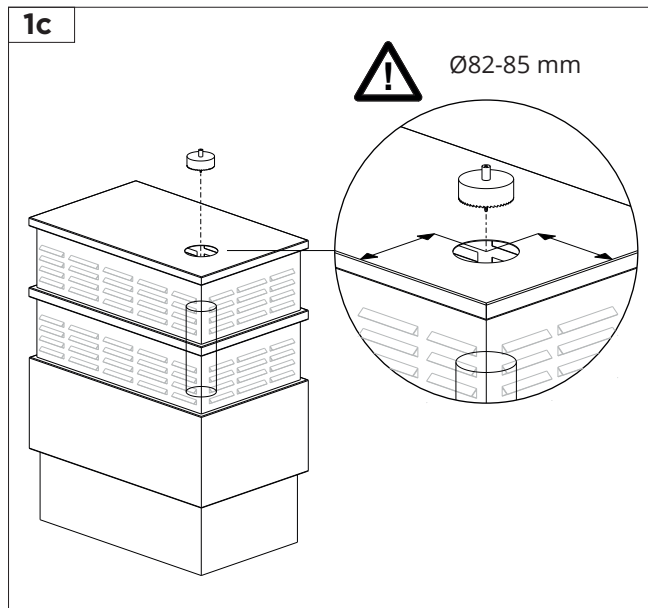
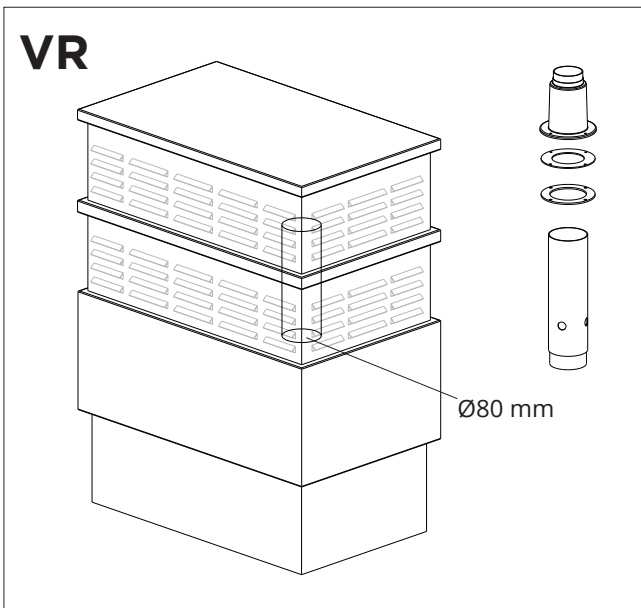


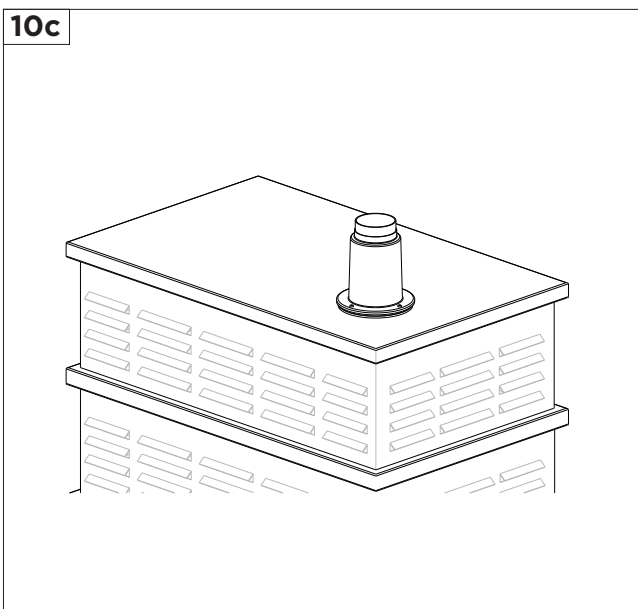
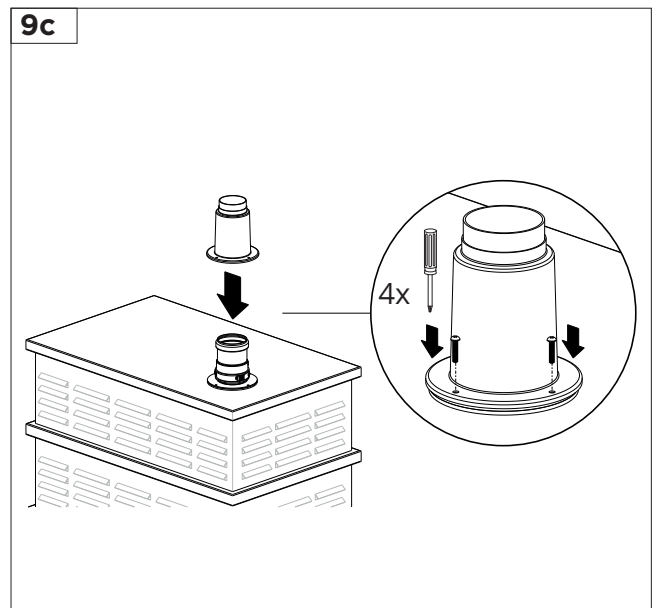
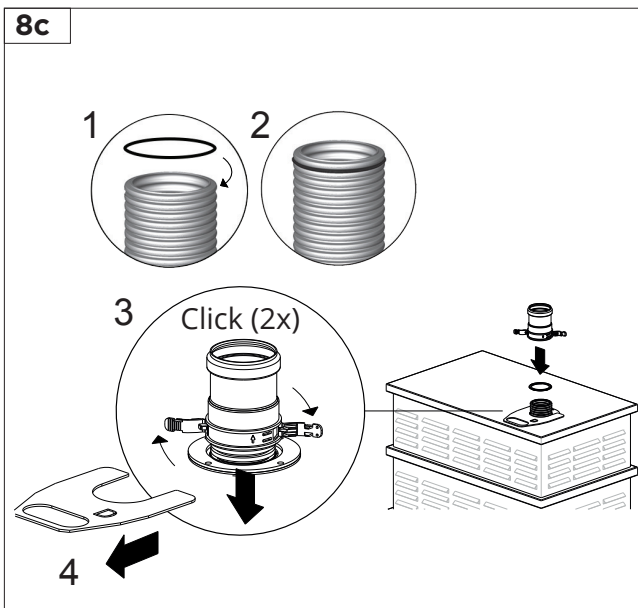
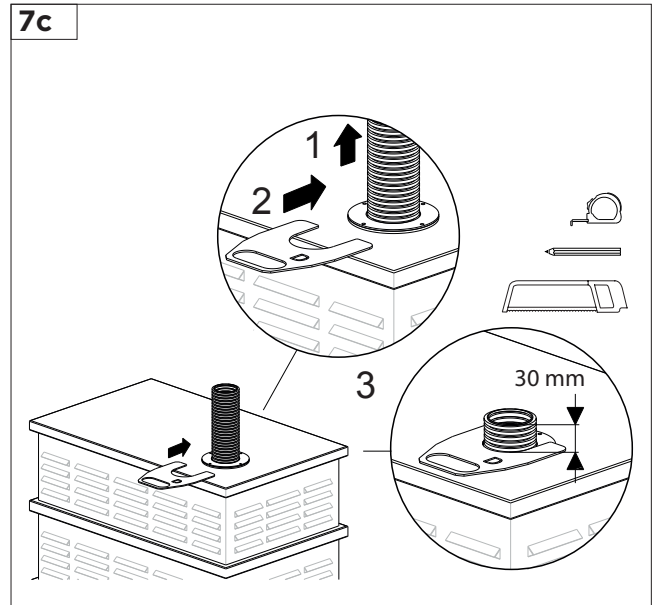
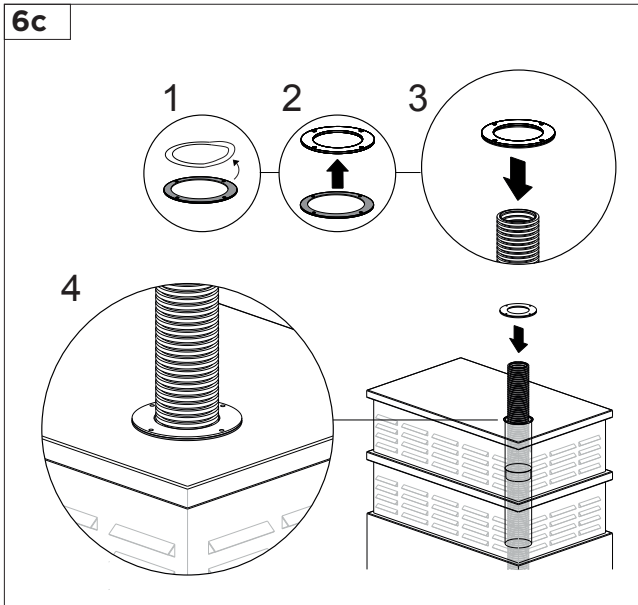
9b

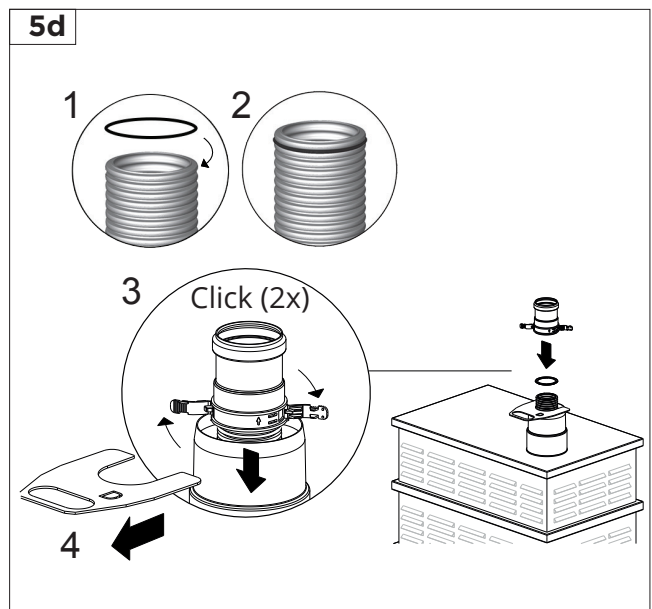
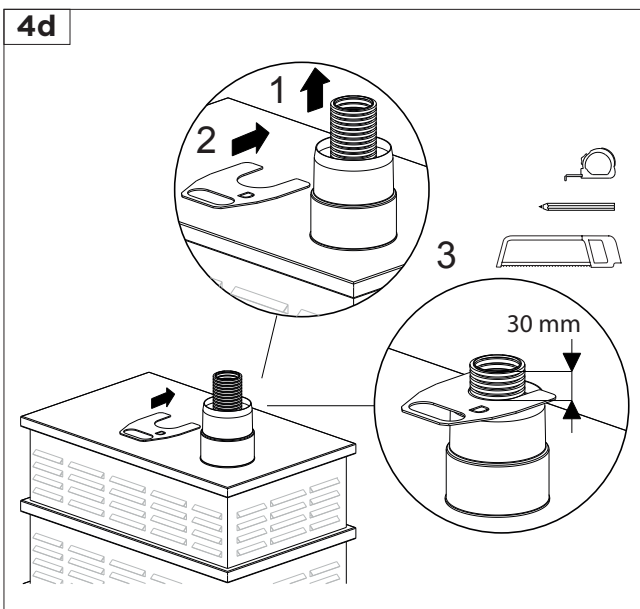
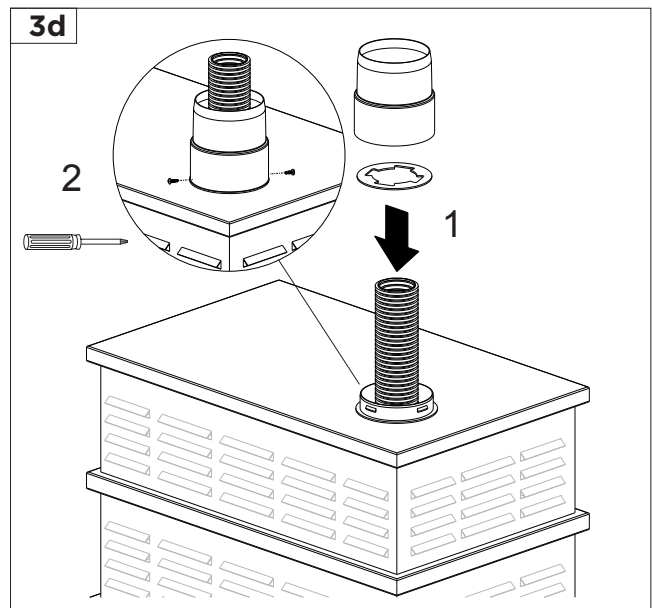
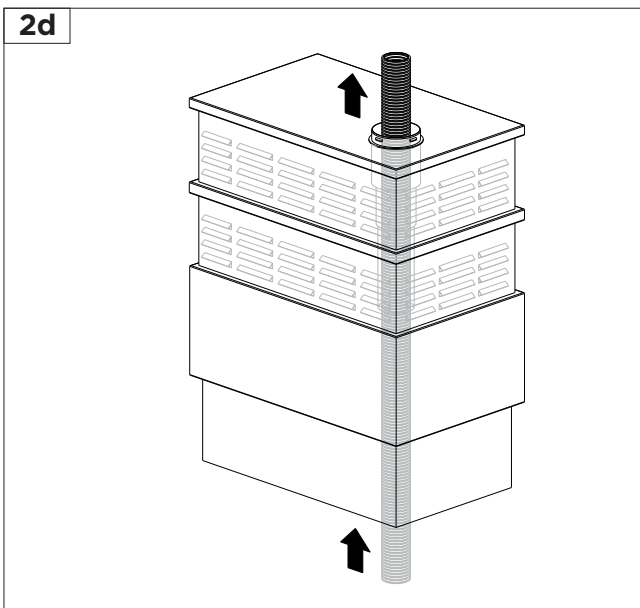
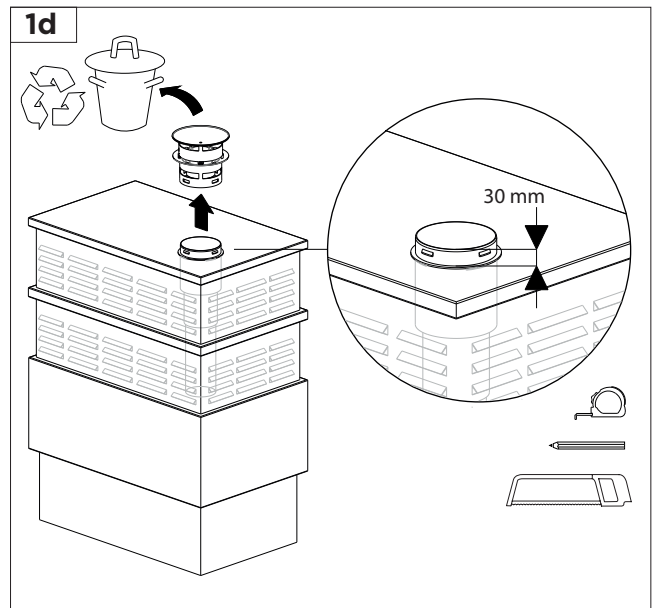
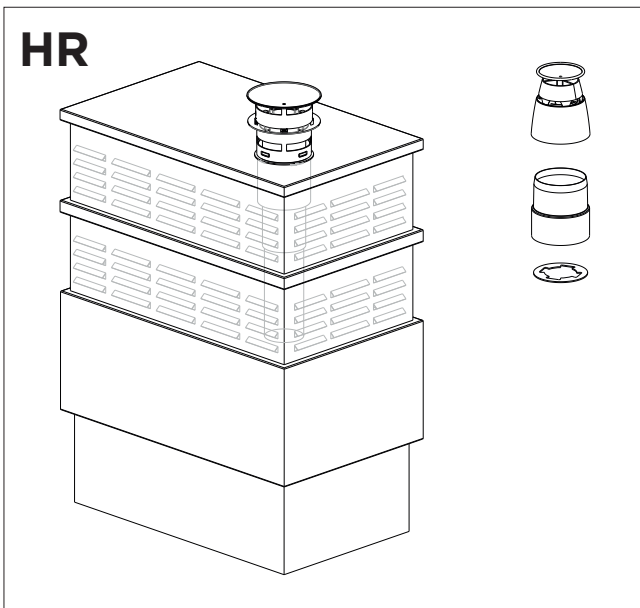


10b



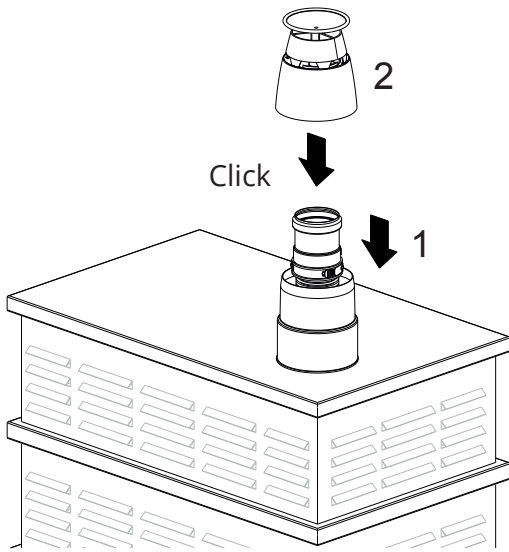




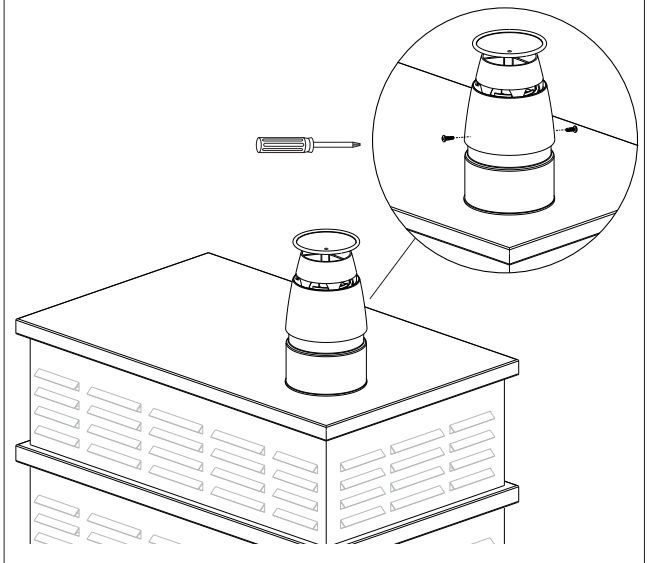


# D

6d



7d





MAKING CLIMATE SYSTEMS WORK TOGETHER