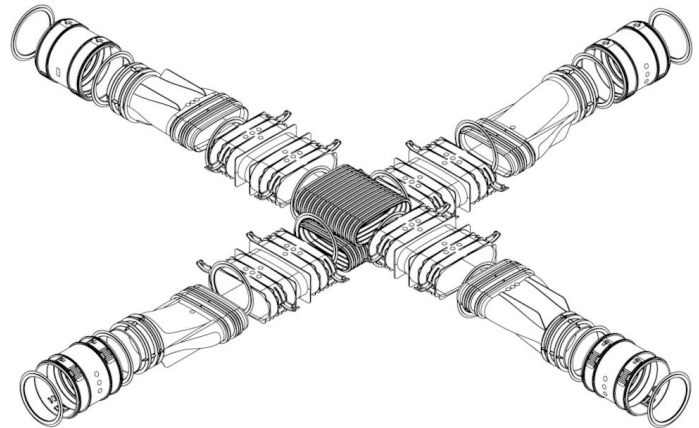
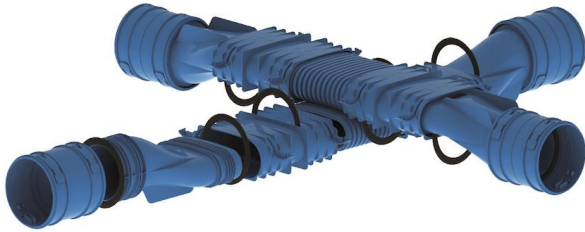


General information

Hybalans+ Cross 92 extended



Specifications

Article number	400470403
Product category	Connection piece
Material	PP
Colour	RAL-5015
Weight (kg)	1,34

Dimensions

Dimensions (l x w x h mm)	855 x 855 x 118
Connection diameter flexible (mm)	92

Application Insights

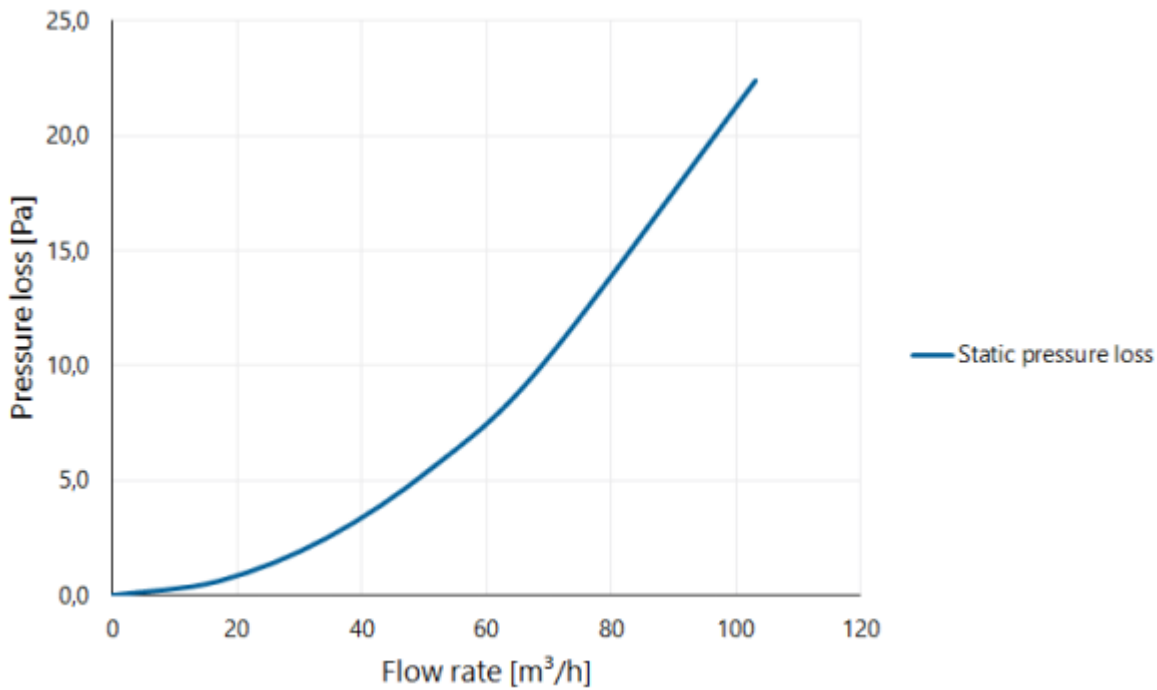
Intended use	Air
Supply / Extract	Supply/Extract
Temperature range (°C)	-25 / +80

Technical Specifications

Maximum air flow (m ³ /h)	50
ζ extract	1,00
ζ supply	1,00
Air Tightness Class	2
R-value (m ² K/W)	0
Other specifications	-

Graph

Pressure loss



Table

Flow velocity pressure table

Flow rate			Static pressure loss [Pa]
[m/s]	[m³/h]	[l/s]	
0	0	0	0,0
1	17	5	0,6
2	34	10	2,5
3	52	14	5,6
4	69	19	9,9
6	103	29	22,4