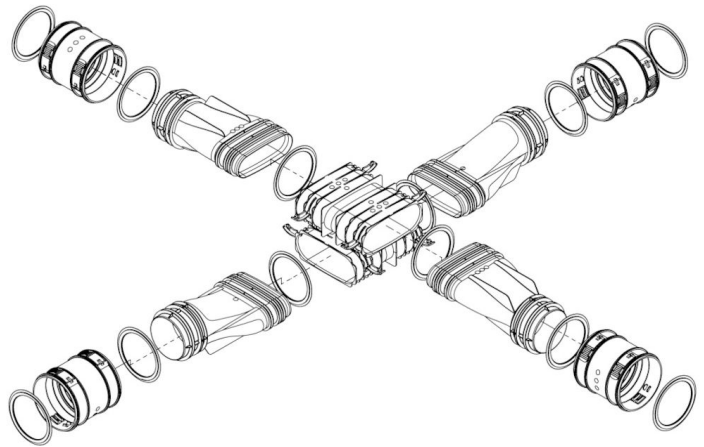
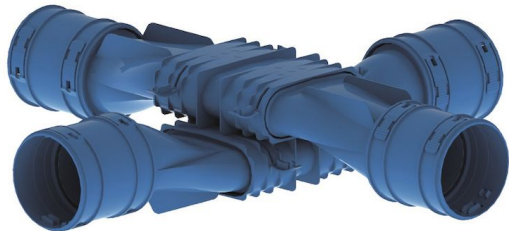


General information

Hybalans+ Cross 92



Specifications

Article number	400470402
Product category	Connection piece
Material	PP
Colour	RAL-5015
Weight (kg)	1

Dimensions

Dimensions (l x w x h mm)	605 x 605 x 118
Connection diameter flexible (mm)	92

Application Insights

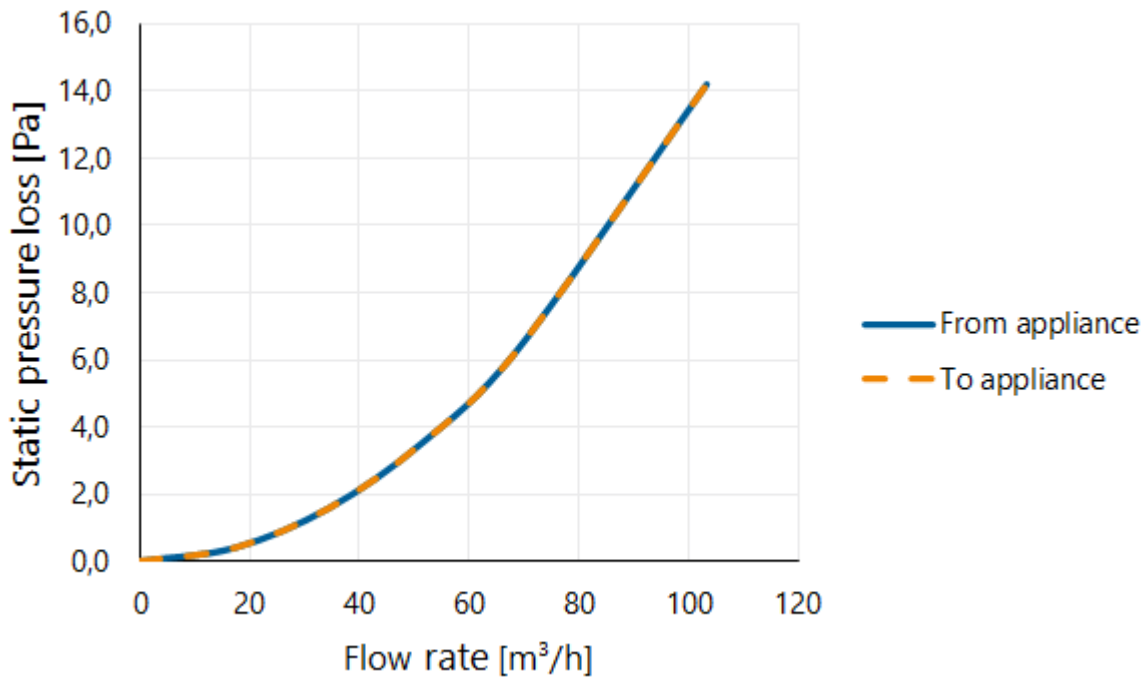
Intended use	Air
Supply / Extract	Supply/Extract
Temperature range (°C)	-25 / +80

Technical Specifications

Maximum air flow (m ³ /h)	50
ζ extract	0,60
ζ supply	0,60
Air Tightness Class	2
R-value (m ² K/W)	0
Other specifications	-

Graph

Pressure loss



Table

Flow velocity pressure table

Flow rate			Static pressure loss	
[m/s]	[m³/h]	[l/s]	From appliance [Pa]	To appliance [Pa]
0	0	0	0,0	0,0
1	17	5	0,4	0,4
2	34	10	1,6	1,6
3	52	14	3,5	3,5
4	69	19	6,3	6,3
6	103	29	14,2	14,2