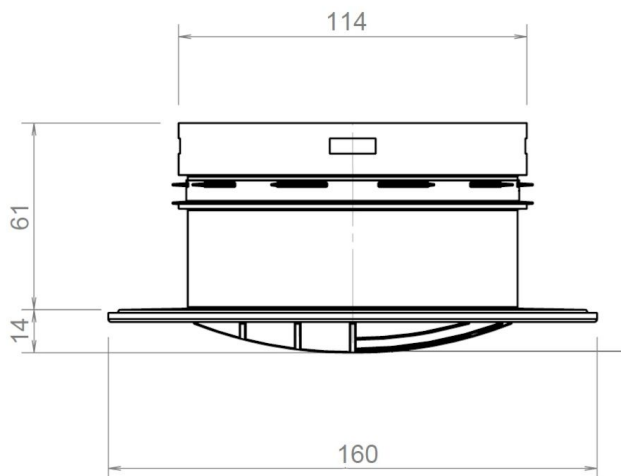
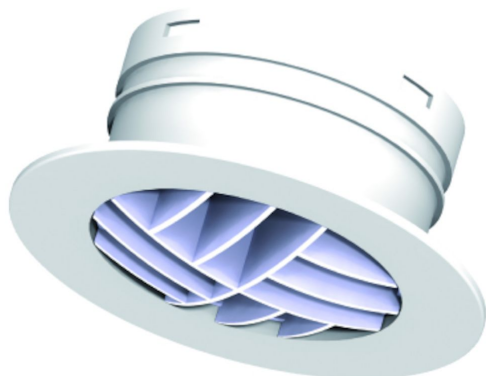


General information

Hybalans+ Extract air valve Kwadrant



Specifications

Article number	400470415
Product category	Air valve
Material	PP
Colour	RAL-9016
Weight (kg)	0,18

Dimensions

Dimensions (l x w x h mm)	184 x 184 x 80
Connection diameter rigid (mm)	117-125

Application Insights

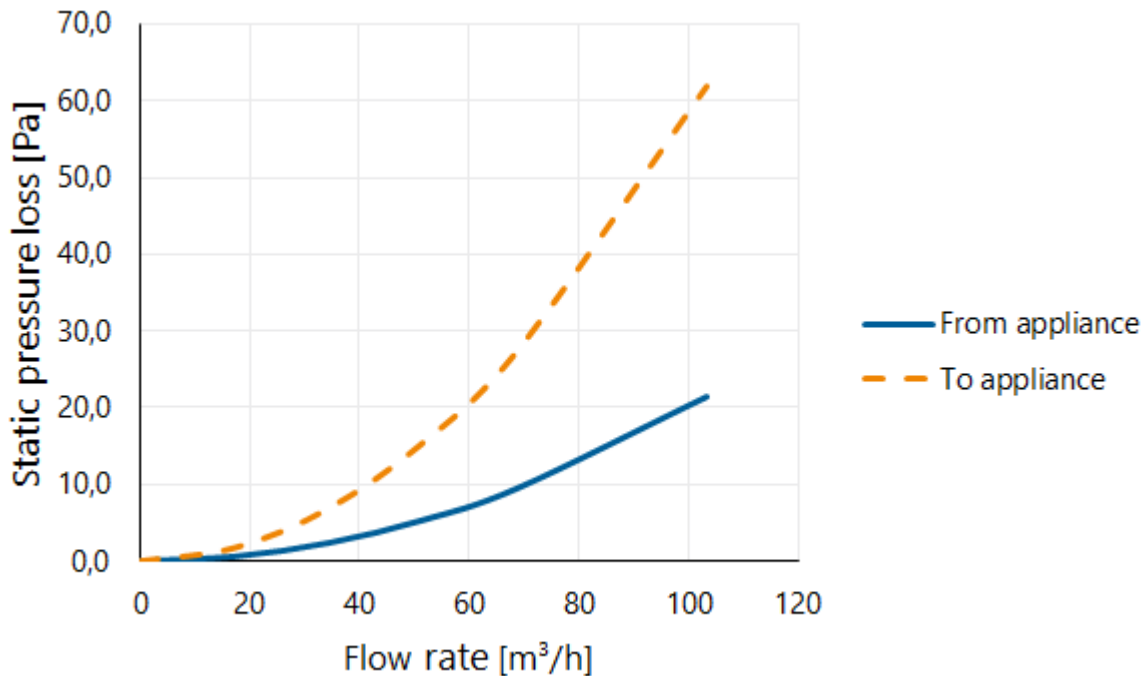
Intended use	Air
Supply / Extract	Extract
Temperature range (°C)	-25 / +80

Technical Specifications

Maximum air flow (m ³ /h)	50
ζ extract	2,90
ζ supply	1,00
Air Tightness Class	2
R-value (m ² K/W)	0
Fire rating	F
Other specifications	-

Quad valve with valve connection 125 92 90° (400480616)

Pressure loss



Quad valve with valve connection 125 92 90° (400480616)

Flow velocity pressure table

Flow rate			Static pressure loss		
[m/s]	[m³/h]	[l/s]	From appliance [Pa]	To appliance [Pa]	To app. with filter [Pa]
0	0	0	0,0	0,0	0,0
1	17	5	0,6	1,7	3,7
2	34	10	2,4	6,9	14,7
3	52	14	5,4	15,5	33,0
4	69	19	9,5	27,5	58,6
6	103	29	21,4	61,9	131,9