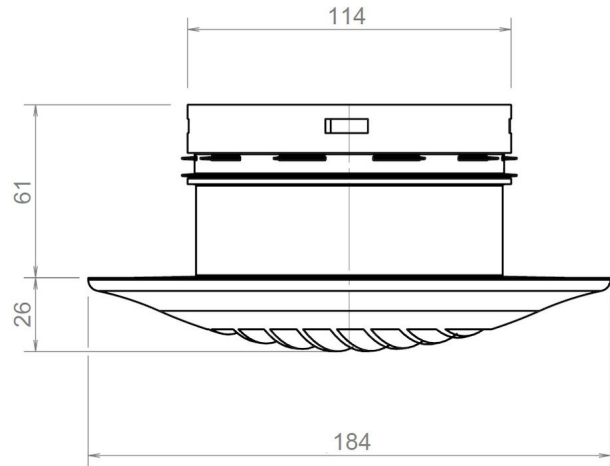


## General information

### Hybalans+ Extract air valve Turn



## Specifications

Article number	400470417
Product category	Air valve
Material	PP
Colour	RAL-9016
Weight (kg)	0,21

## Dimensions

Dimensions (l x w x h mm)	184 x 184 x 87
Connection diameter rigid (mm)	117-125

## Application Insights

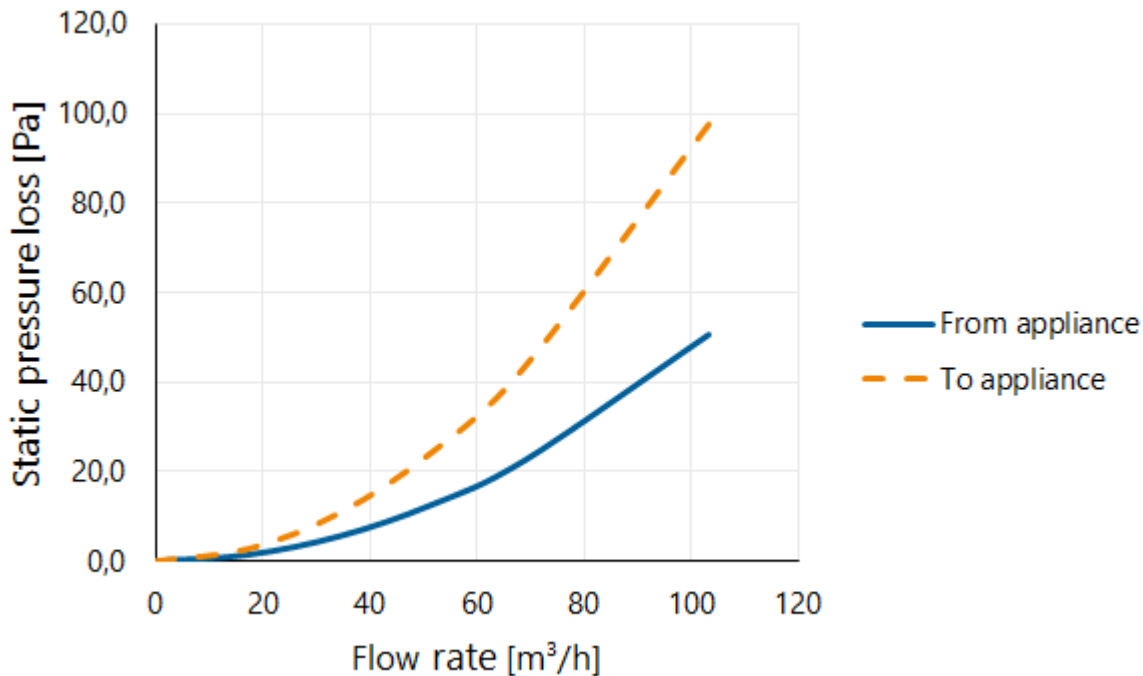
Intended use	Air
Supply / Extract	Extract
Temperature range (°C)	-25 / +80

## Technical Specifications

Maximum air flow (m <sup>3</sup> /h)	50
ζ extract	4,50
ζ supply	2,40
Air Tightness Class	2
R-value (m <sup>2</sup> K/W)	0
Fire rating	F
Other specifications	-

## Turn valve with valve connection 125 92 90° (400480616)

Pressure loss



## Turn valve with valve connection 125 92 90° (400480616)

Flow velocity pressure table

Flow rate			Static pressure loss		
[m/s]	[m³/h]	[l/s]	From appliance [Pa]	To appliance [Pa]	To app. with filter [Pa]
0	0	0	0,0	0,0	0,0
1	17	5	1,4	2,7	4,8
2	34	10	5,6	10,8	19,0
3	52	14	12,7	24,4	42,8
4	69	19	22,6	43,3	76,1
6	103	29	50,8	97,5	171,3