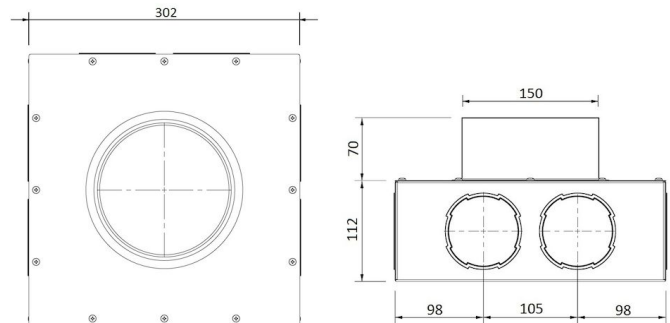
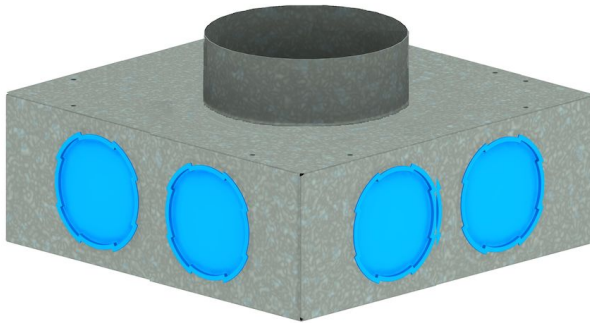


General information

Hybalans+ Extraction plenum square 225#8



Specifications

Article number	400480610
Product category	Air extraction plenum / Air distribution
Material	Galvanized
Colour	Material own colour
Wall Thickness (mm)	1
Weight (kg)	2,05

Dimensions

Dimensions (l x w x h mm)	302 x 302 x 182
Connection diameter flexible (mm)	75/92
Connection diameter rigid (mm)	150

Application Insights

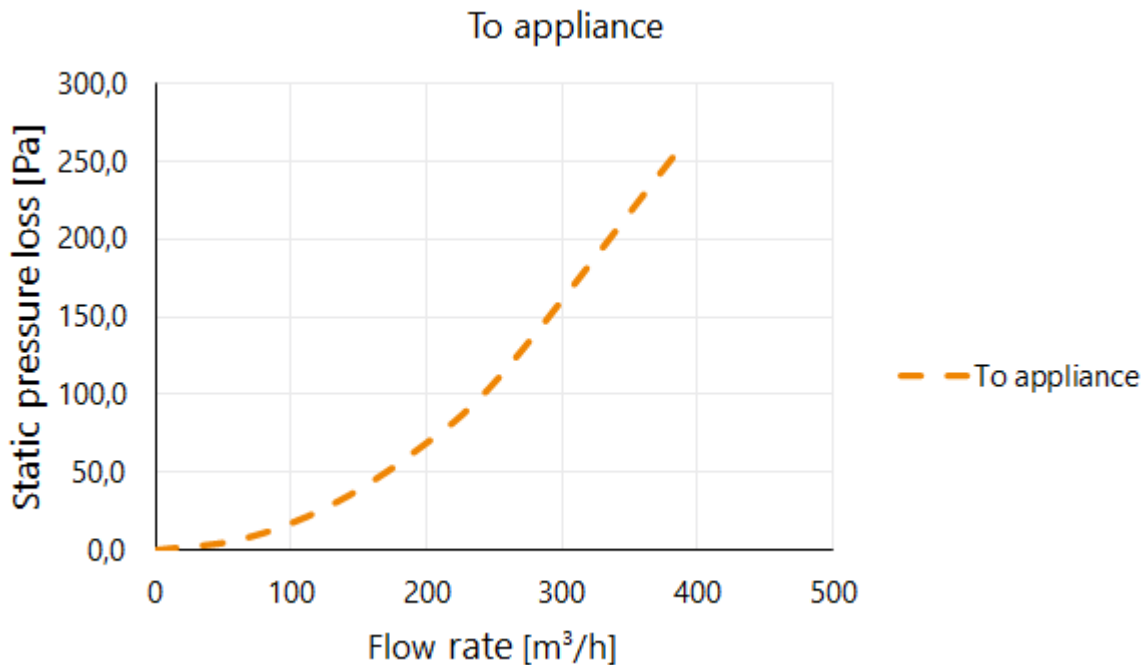
Intended use	Air
Supply / Extract	Extract
Number of connections	8
Temperature range (°C)	-25 / +80

Technical Specifications

Maximum air flow (m ³ /h)	225
Air Tightness Class	3
R-value (m ² K/W)	0
Other specifications	-

Plenum with flexible duct 75mm and insulated ducting 150mm

Pressure loss



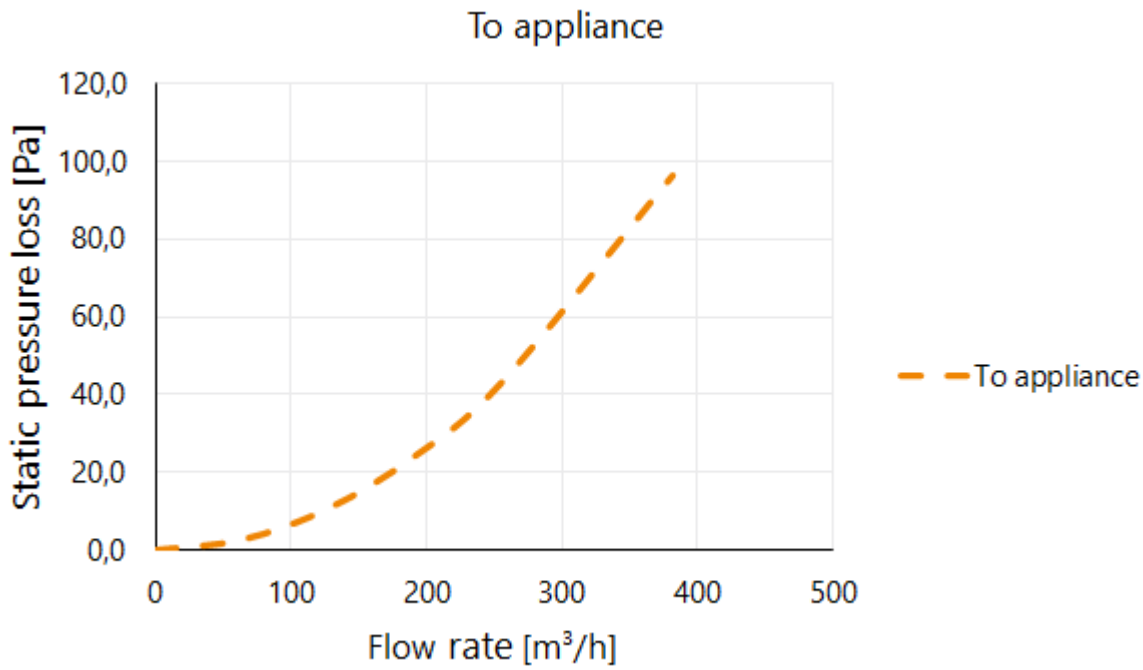
Plenum with flexible duct 75mm and insulated ducting 150mm

Flow velocity pressure table

Flow rate			To appliance [Pa]
[m/s]	[m³/h]	[l/s]	
0	0	0	0,0
1	64	18	7,0
2	127	35	28,1
3	191	53	63,2
4	254	71	112,4
6	382	106	253,0

Plenum with flexible duct 92mm and insulated ducting 150mm

Pressure loss



Plenum with flexible duct 92mm and insulated ducting 150mm

Flow velocity pressure table

Flow rate			To appliance [Pa]
[m/s]	[m³/h]	[l/s]	
0	0	0	0,0
1	64	18	2,7
2	127	35	10,7
3	191	53	24,1
4	254	71	42,9
6	382	106	96,6