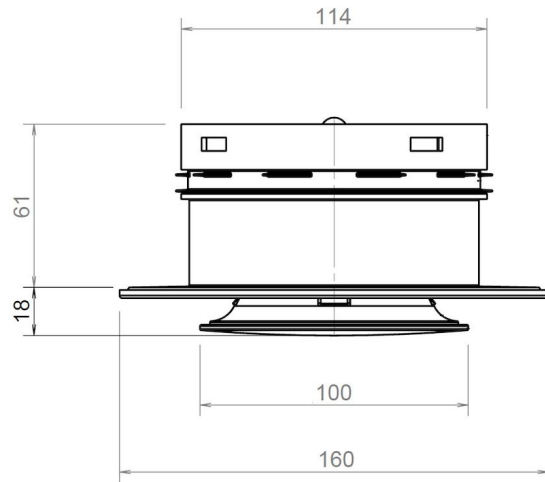


General information

Hybalans+ Supply/Extract air valve Conus



Specifications

Article number	400470414
Product category	Air valve
Material	PP
Colour	RAL-9016
Weight (kg)	0,17

Dimensions

Dimensions (l x w x h mm)	160 x 160 x 79
Connection diameter rigid (mm)	117-125

Application Insights

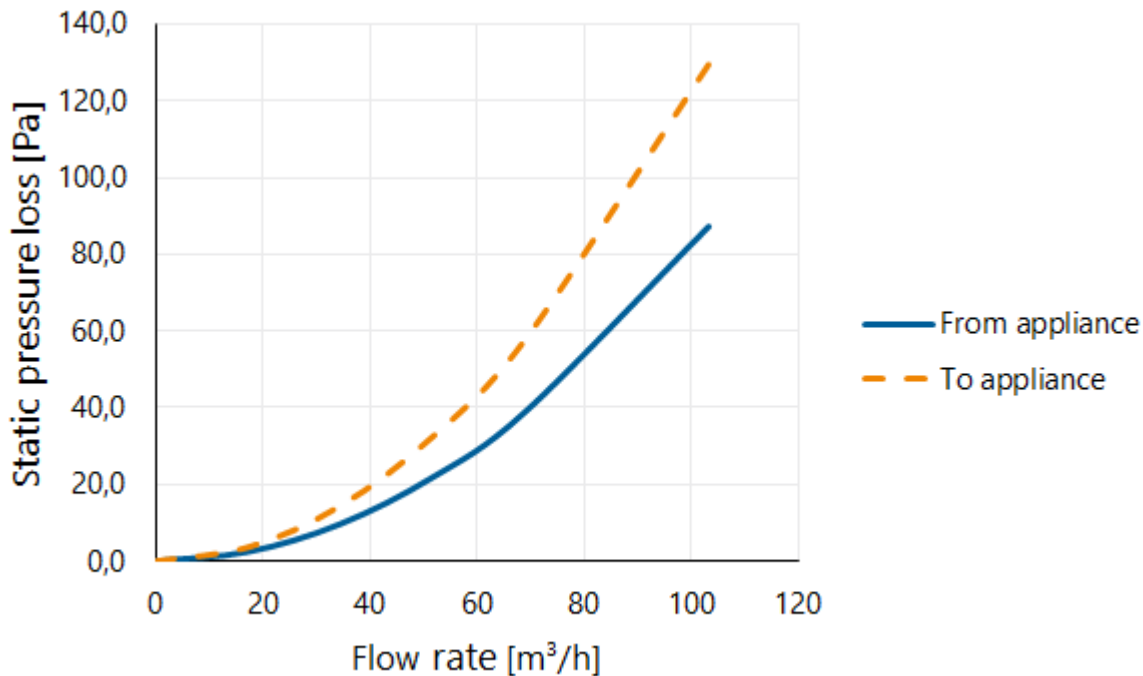
Intended use	Air
Supply / Extract	Supply/Extract
Temperature range (°C)	-25 / +80

Technical Specifications

Maximum air flow (m ³ /h)	50
ζ extract	5,99
ζ supply	4,03
Air Tightness Class	2
R-value (m ² K/W)	0
Fire rating	F
Other specifications	-

Cone valve with valve connection 125 92 90° (400480616)

Pressure loss



Cone valve with valve connection 125 92 90° (400480616)

Flow velocity pressure table

Flow rate			Static pressure loss		
[m/s]	[m³/h]	[l/s]	From appliance [Pa]	To appliance [Pa]	To app. with filter [Pa]
0	0	0	0,0	0,0	0,0
1	17	5	2,4	3,6	5,3
2	34	10	9,7	14,4	21,3
3	52	14	21,8	32,4	48,0
4	69	19	38,7	57,6	85,3
6	103	29	87,1	129,5	191,9