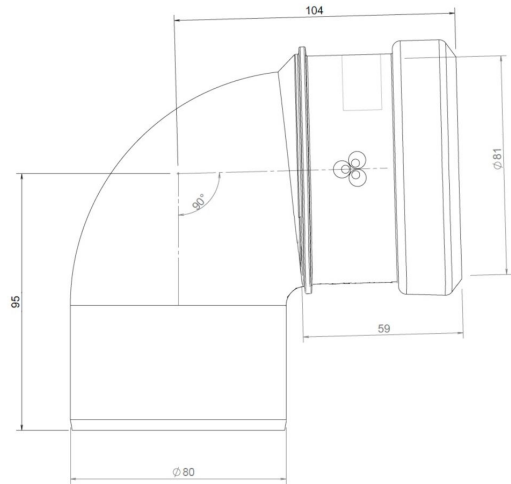


## General information

### Safe-PP Elbow PP 80 90° White



## Specifications

|                                   |                  |
|-----------------------------------|------------------|
| Article number                    | 400453992        |
| Material flue duct                | Plastic          |
| Quality class flue duct           | PP               |
| Wall thickness flue duct nom (mm) | 2,5              |
| Material seal flue duct           | EPDM             |
| Colour                            | White (RAL 9016) |
| Weight (kg)                       | 0,15             |

## Dimensions

|                                 |                |
|---------------------------------|----------------|
| Diameter flue duct nom (mm)     | 80             |
| Outer dimensions (l x w x h mm) | 135 x 144 x 90 |

## Application Insights

|                |                         |
|----------------|-------------------------|
| Intended use   | Discharge of flue gases |
| Location class | For indoor use only     |

## Technical Specifications

---

|  |                           |
|--|---------------------------|
| Declaration of performance                           | 001-MG-PP DoP             |
| Harmonized standard                                  | EN 14471: 2013 + A1: 2015 |
| System according to DoP                              | 0.2a                      |
| CE Marking   | T120 H1 W2 O30 LI E U     |
| ζF Flue duct   | 1,1                       |
| Thermal resistance flue duct<br>(m <sup>2</sup> K/W) | 0                         |
| Roughness value flue duct (m)                        | N.a.                      |
| Equivalent length (m)                                | 2,2                       |
| Other specifications                                 | -                         |

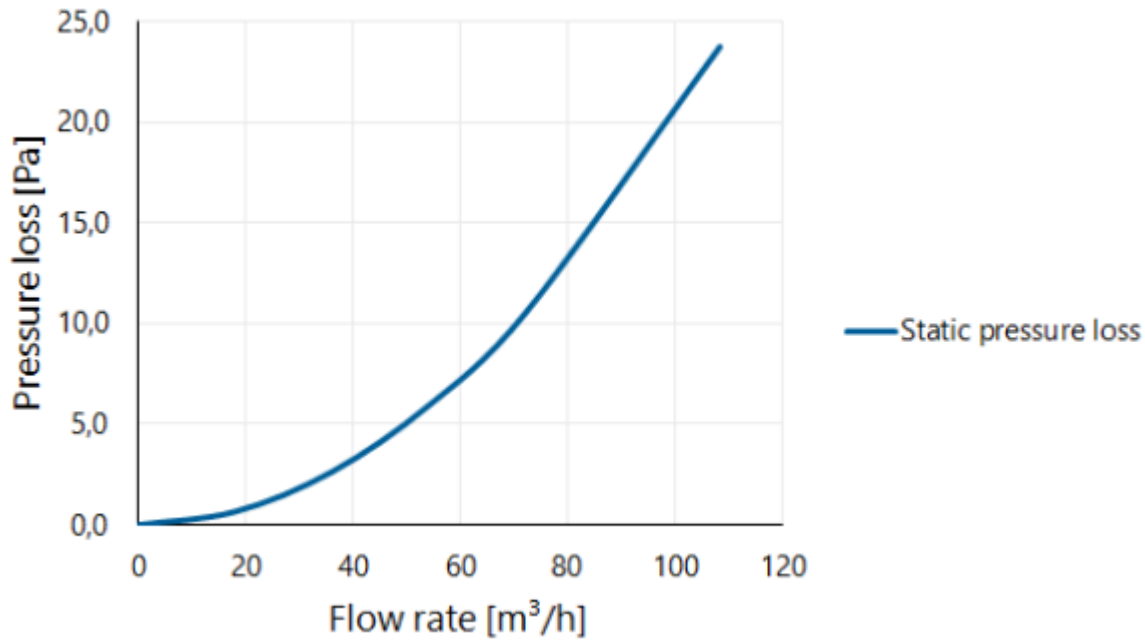
## Mounting and installation

---

Always install according to the national regulations. For safe installation, consult the installation and associated mounting instructions, see [Burgerhout.com](http://Burgerhout.com).

## Graph

Pressure loss versus flow rate



## Table

Flow rate versus pressure loss

| Flow rate |        |       | Static<br>pressure loss<br>[Pa] |
|-----------|--------|-------|---------------------------------|
| [m/s]     | [m³/h] | [l/s] |                                 |
| 0         | 0      | 0     | 0,0                             |
| 1         | 18     | 5     | 0,7                             |
| 2         | 36     | 10    | 2,6                             |
| 3         | 54     | 15    | 5,9                             |
| 4         | 72     | 20    | 10,6                            |
| 6         | 109    | 30    | 23,8                            |