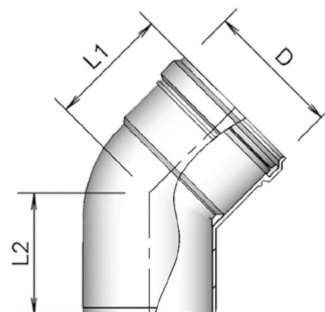


General information

Twinline Elbow PP 100 45°



Specifications

| | |
|-----------------------------------|-----------------|
| Article number | 400452144 |
| Material flue duct | Plastic |
| Quality class flue duct | PP |
| Wall thickness flue duct nom (mm) | 2,1 |
| Material seal flue duct | EPDM |
| Colour | Gray (RAL 7040) |
| Weight (kg) | 0,1 |

Dimensions

| | |
|---------------------------------|-----------------|
| Diameter flue duct nom (mm) | 100 |
| Outer dimensions (l x w x h mm) | 138 x 110 x 110 |

Application Insights

| | |
|----------------|-------------------------|
| Intended use | Discharge of flue gases |
| Location class | For indoor use only |

Technical Specifications

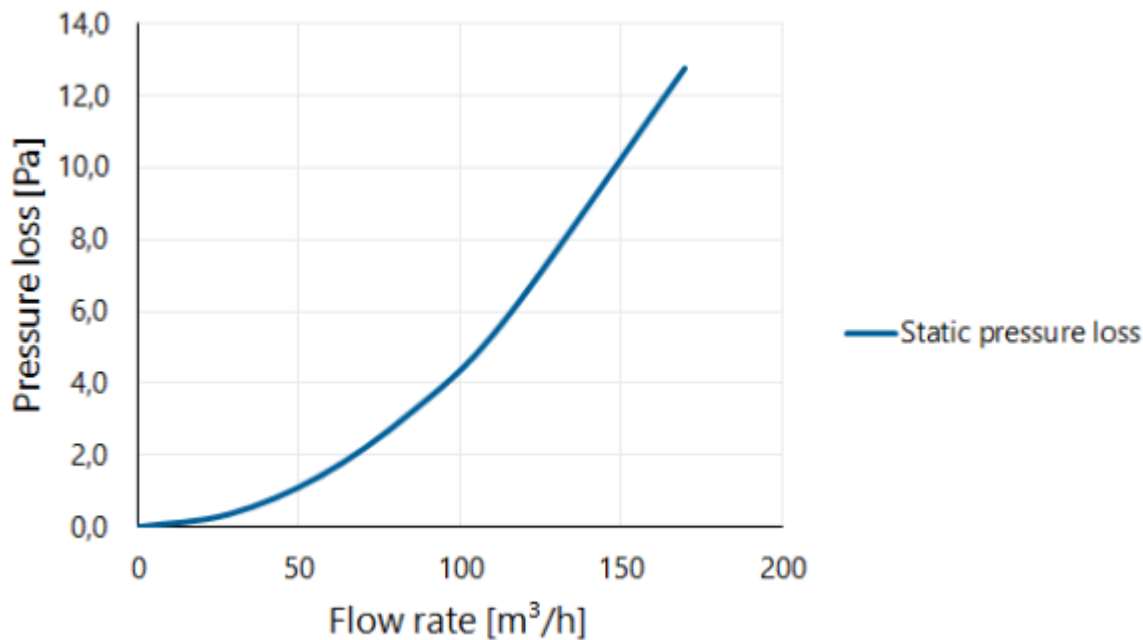
| | |
|--|---------------------------|
| Declaration of performance | 001-MG-PP DoP |
| Harmonized standard | EN 14471: 2013 + A1: 2015 |
| System according to DoP | 0.1 |
| CE Marking | T120 H1 W2 O30 LI E U |
| ζF Flue duct | 0,59 |
| Thermal resistance flue duct (m ² K/W) | 0 |
| Roughness value flue duct (m) | N.a. |
| Equivalent length (m) | 2,23 |
| Other specifications | - |

Mounting and installation

Always install according to the national regulations. For safe installation, consult the installation and associated mounting instructions, see Burgerhout.com.

Graph

Pressure loss versus flow rate



Table

Flow rate versus pressure loss

| Flow rate | | | Static pressure loss [Pa] |
|-----------|--------|-------|------------------------------|
| [m/s] | [m³/h] | [l/s] | |
| 0 | 0 | 0 | 0,0 |
| 1 | 28 | 8 | 0,4 |
| 2 | 57 | 16 | 1,4 |
| 3 | 85 | 24 | 3,2 |
| 4 | 113 | 31 | 5,7 |
| 6 | 170 | 47 | 12,7 |