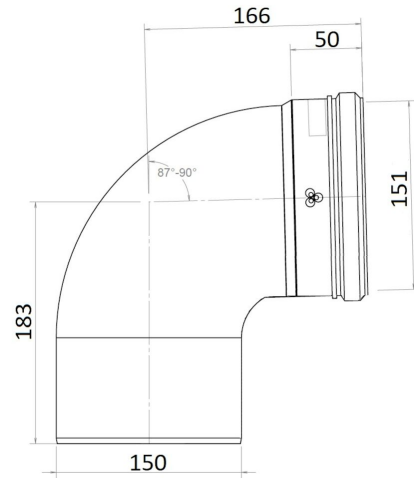


## General information

### Twinline Elbow PP 150 90°



## Specifications

Article number	400470760
Material flue duct	Plastic
Quality class flue duct	PP
Wall thickness flue duct nom (mm)	3,5
Material seal flue duct	EPDM
Colour	Gray (RAL 7040)
Weight (kg)	0,63

## Dimensions

Diameter flue duct nom (mm)	150
Outer dimensions (l x w x h mm)	243 x 270 x 165

## Application Insights

Intended use	Discharge of flue gases
Location class	For indoor use only

## Technical Specifications

---

Declaration of performance	001-MG-PP DoP
Harmonized standard	EN 14471: 2013 + A1: 2015
System according to DoP	0.1
CE Marking	T120 H1 W2 O30 LI E U
ζF Flue duct	0,78
Thermal resistance flue duct (m <sup>2</sup> K/W)	0
Roughness value flue duct (m)	N.a.
Equivalent length (m)	3,98
Other specifications	-

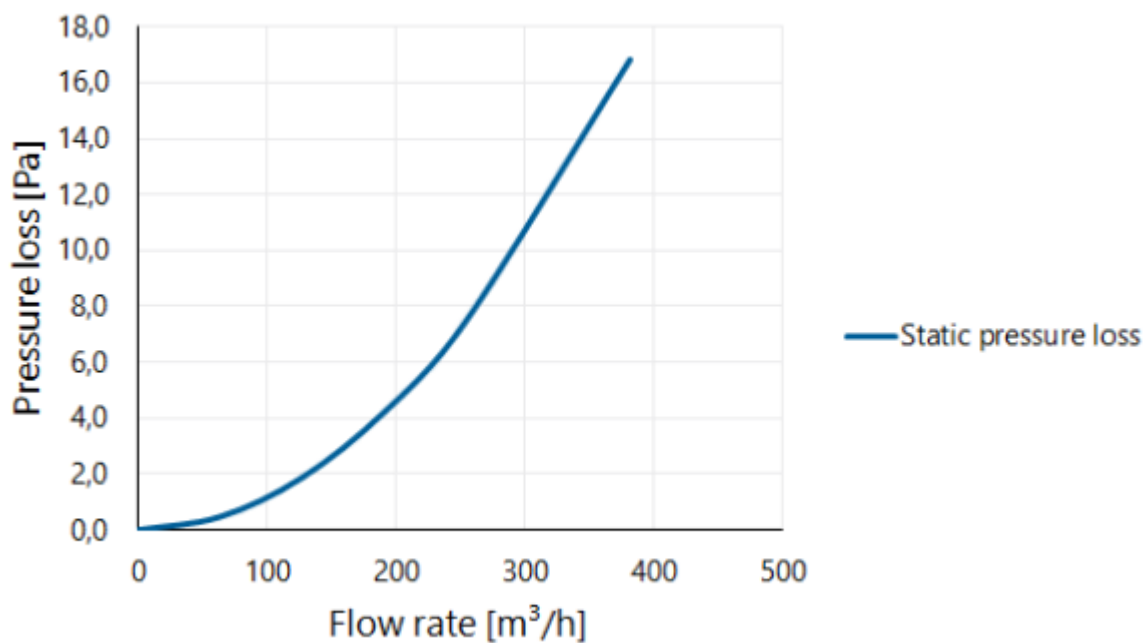
## Mounting and installation

---

Always install according to the national regulations. For safe installation, consult the installation and associated mounting instructions, see [Burgerhout.com](http://Burgerhout.com).

## Graph

Pressure loss versus flow rate



## Table

Flow rate versus pressure loss

Flow rate			Static pressure loss [Pa]
[m/s]	[m³/h]	[l/s]	
0	0	0	0,0
1	64	18	0,5
2	127	35	1,9
3	191	53	4,2
4	254	71	7,5
6	382	106	16,8