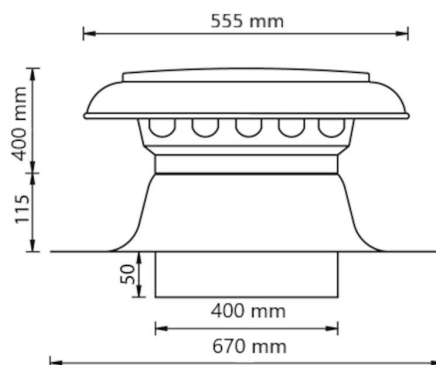


## General information

Vent-Alu 2000 Ventilation Double wall with AL Cap 200 and PVC coating



## Specifications

Article Number	420475120
Product category	Roof vent
Material hood	Aluminium
Roof flashing material	Aluminium with PVC
Material isolation	PUR foam
Colour	Material own colour
Weight (kg)	1,35
Type	Double Walled

## Dimensions

Application	Air
Roof slope (°)	-
Connection diameter	200
Dimensions (l x w x h mm)	470 x 470 x 365

## Technical Specifications

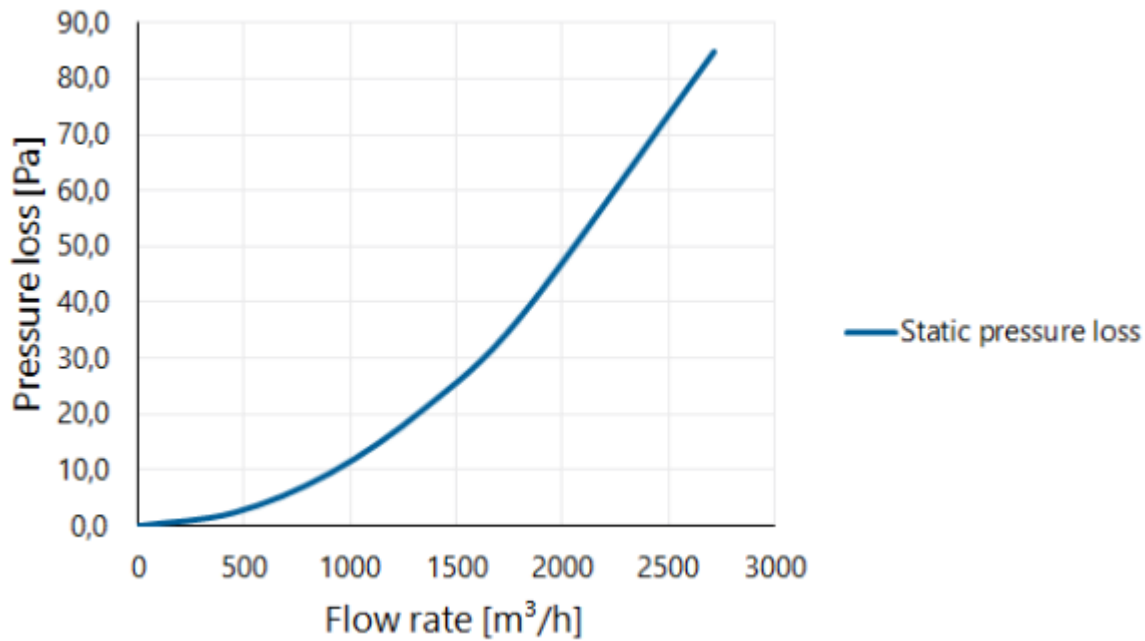
Maximum air flow	679
Maximum air speed	6
Other specifications	-

## Certifications

Documents	-
-----------	---

## Differential pressure as a function of the volume flow measured according to NEN-EN 13141-5

Pressure loss



## Differential pressure as a function of the speed and volume flow measured according to NEN-EN 13141-5

Flow velocity pressure table

Flow rate			Static pressure loss [Pa]
[m/s]	[m³/h]	[l/s]	
0	0	0	0,0
1	452	126	2,4
2	905	251	9,4
3	1357	377	21,2
4	1810	503	37,7
6	2714	754	84,9