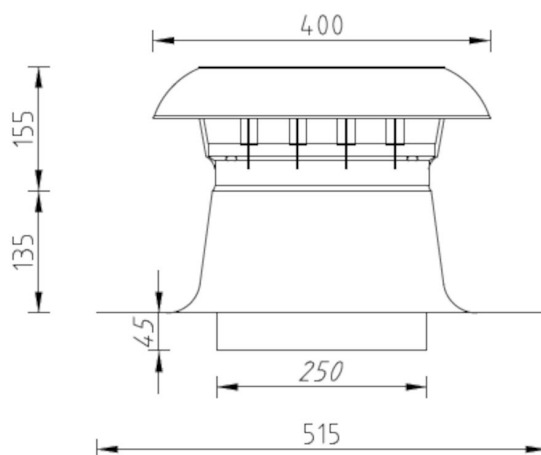


## General information

Vent-Alu 2000 Ventilation Double wall with PP Cap 250 and PVC coating



## Specifications

Article Number	420479125
Product category	Roof vent
Material hood	PP
Roof flashing material	Aluminum
Material isolation	PUR foam
Colour	Black
Weight (kg)	1,72
Type	Double Walled

## Dimensions

Application	Air
Roof slope (°)	-
Connection diameter	250
Dimensions (l x w x h mm)	515 x 515 x 335

## Technical Specifications

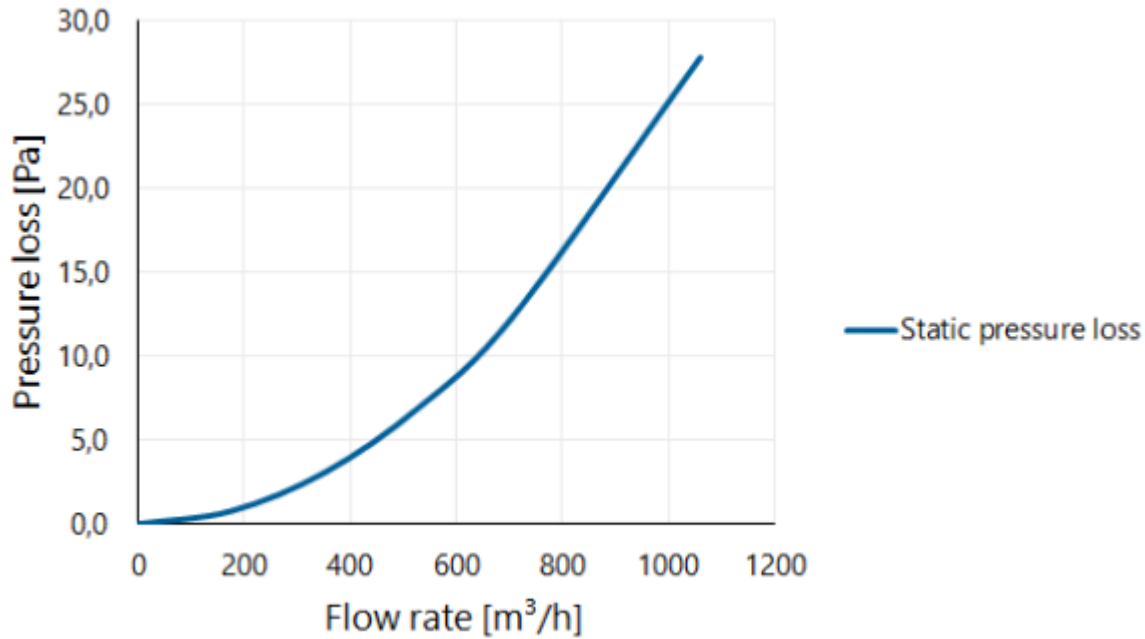
Maximum air flow	1060
Maximum air speed	6
Other specifications	-

## Certifications

Documents	-
-----------	---

## Differential pressure as a function of the volume flow measured according to NEN-EN 13141-5

Pressure loss



## Differential pressure as a function of the speed and volume flow measured according to NEN-EN 13141-5

Flow velocity pressure table

Flow rate			Static pressure loss [Pa]
[m/s]	[m³/h]	[l/s]	
0	0	0	0,0
1	177	49	0,8
2	353	98	3,1
3	530	147	6,9
4	707	196	12,4
6	1060	295	27,8