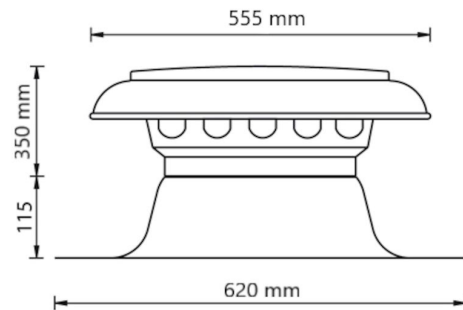


## General information

### Vent-Alu 2000 Ventilation Single wall with AL Cap 350



## Specifications

Article Number	420455035
Product category	Roof vent
Material hood	Aluminium
Roof flashing material	Aluminum
Material isolation	-
Colour	Material own colour
Weight (kg)	0,38
Type	Single Walled

## Dimensions

Application	Air
Roof slope (°)	-
Connection diameter	350
Dimensions (l x w x h mm)	620 x 620 x 465

## Technical Specifications

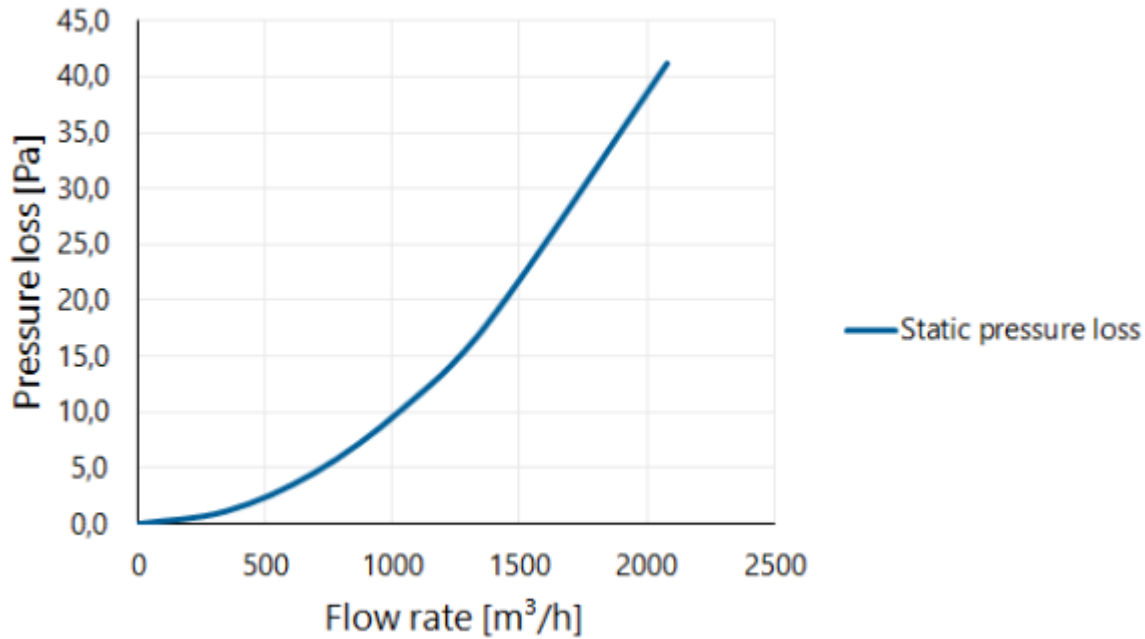
Maximum air flow	2078
Maximum air speed	6
Other specifications	-

## Certifications

Documents	-
-----------	---

## Differential pressure as a function of the volume flow measured according to NEN-EN 13141-5

Pressure loss



## Differential pressure as a function of the speed and volume flow measured according to NEN-EN 13141-5

Flow velocity pressure table

Flow rate			Static pressure loss [Pa]
[m/s]	[m³/h]	[l/s]	
0	0	0	0,0
1	346	96	1,1
2	693	192	4,6
3	1039	289	10,3
4	1385	385	18,3
6	2078	577	41,1