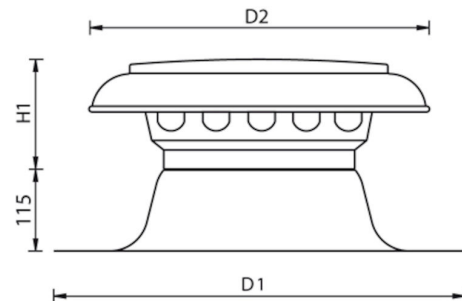


General information

Vent-Alu 2000 Ventilation Single wall with AL Cap 400 and PVC coating



Specifications

Article Number	420475040
Product category	Roof vent
Material hood	Aluminium
Roof flashing material	Aluminium with PVC
Material isolation	-
Colour	Material own colour
Weight (kg)	2,53
Type	Single Walled

Dimensions

Application	Air
Roof slope (°)	-
Connection diameter	400
Dimensions (l x w x h mm)	670 x 670 x 515

Technical Specifications

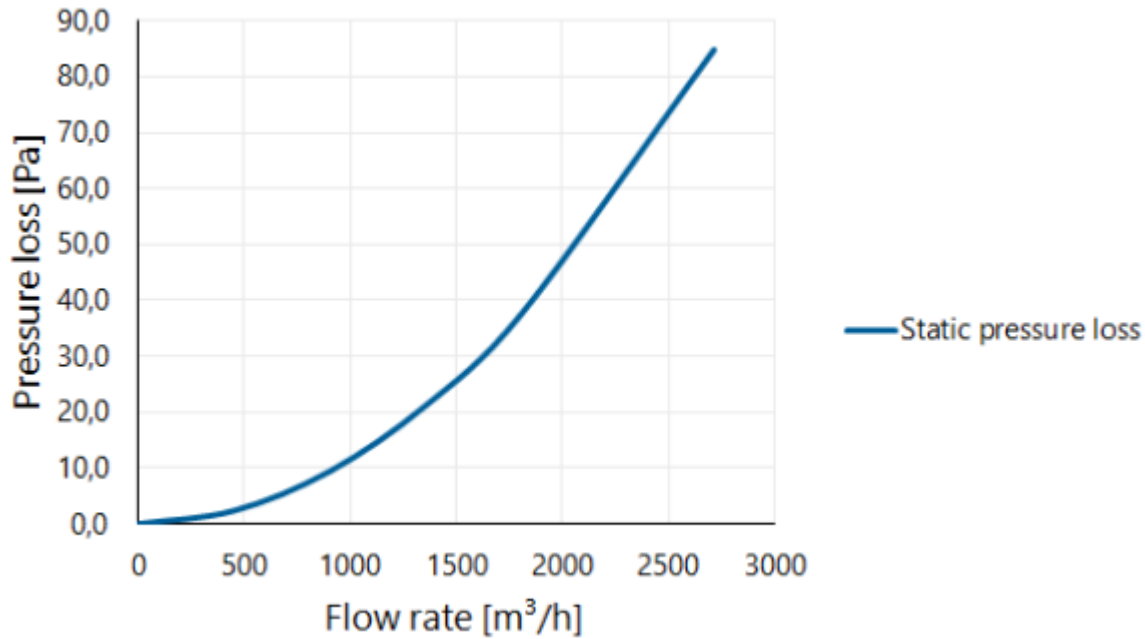
Maximum air flow	2714
Maximum air speed	6
Other specifications	-

Certifications

Documents	-
-----------	---

Differential pressure as a function of the volume flow measured according to NEN-EN 13141-5

Pressure loss



Differential pressure as a function of the speed and volume flow measured according to NEN-EN 13141-5

Flow velocity pressure table

Flow rate			Static pressure loss [Pa]
[m/s]	[m³/h]	[l/s]	
0	0	0	0,0
1	452	126	2,4
2	905	251	9,4
3	1357	377	21,2
4	1810	503	37,7
6	2714	754	84,9