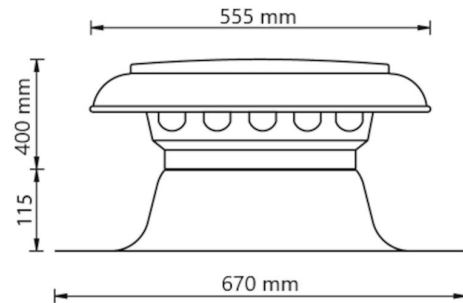


General information

Vent-Alu 2000 Ventilation Single wall with AL Cap 400



Specifications

Article Number	420455040
Product category	Roof vent
Material hood	Aluminium
Roof flashing material	Aluminum
Material isolation	-
Colour	Material own colour
Weight (kg)	0,47
Type	Single Walled

Dimensions

Application	Air
Roof slope (°)	-
Connection diameter	400
Dimensions (l x w x h mm)	670 x 670 x 515

Technical Specifications

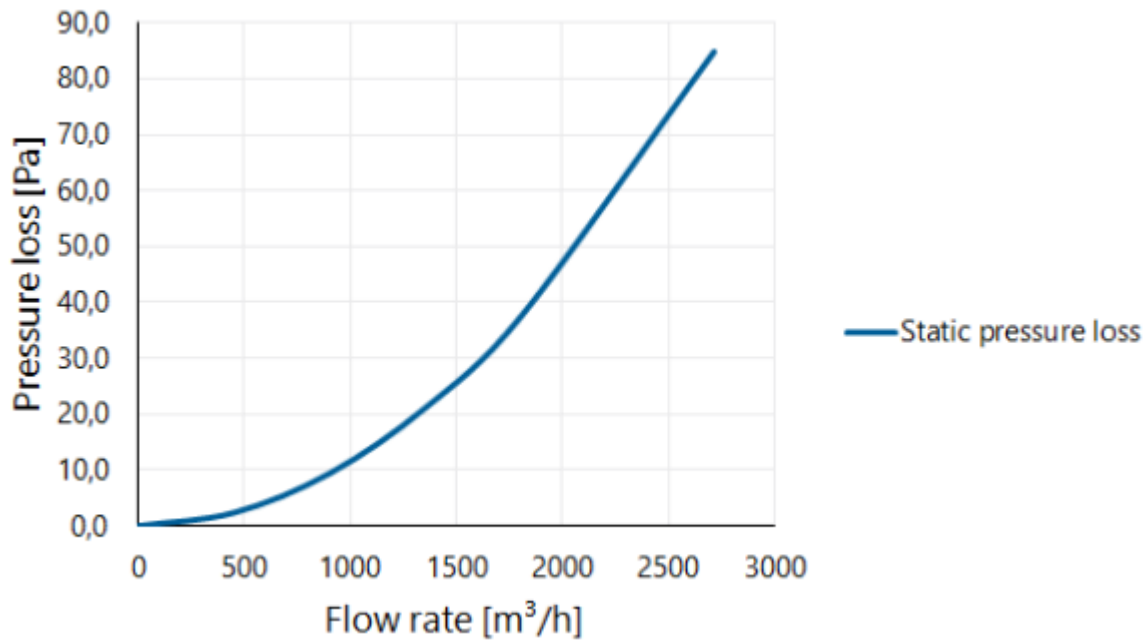
Maximum air flow	2714
Maximum air speed	6
Other specifications	-

Certifications

Documents	-
-----------	---

Differential pressure as a function of the volume flow measured according to NEN-EN 13141-5

Pressure loss



Differential pressure as a function of the speed and volume flow measured according to NEN-EN 13141-5

Flow velocity pressure table

Flow rate			Static pressure loss [Pa]
[m/s]	[m³/h]	[l/s]	
0	0	0	0,0
1	452	126	2,4
2	905	251	9,4
3	1357	377	21,2
4	1810	503	37,7
6	2714	754	84,9