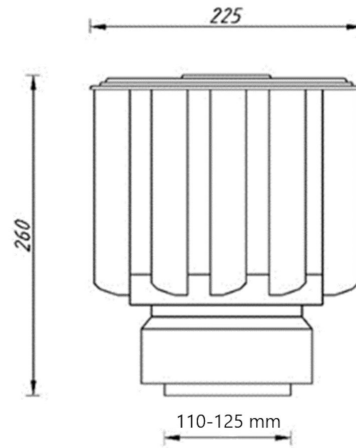


## General information

### Vent-Alu Rotor PP 110-125



## Specifications

Article Number	420458411
Product category	Fan
Material hood	PP, UV resistant
Roof flashing material	None
Material isolation	-
Colour	Black
Weight (kg)	0,94
Type	-

## Dimensions

Application	Air
Roof slope (°)	-
Connection diameter	110-125
Dimensions (l x w x h mm)	225 x 225 x 260

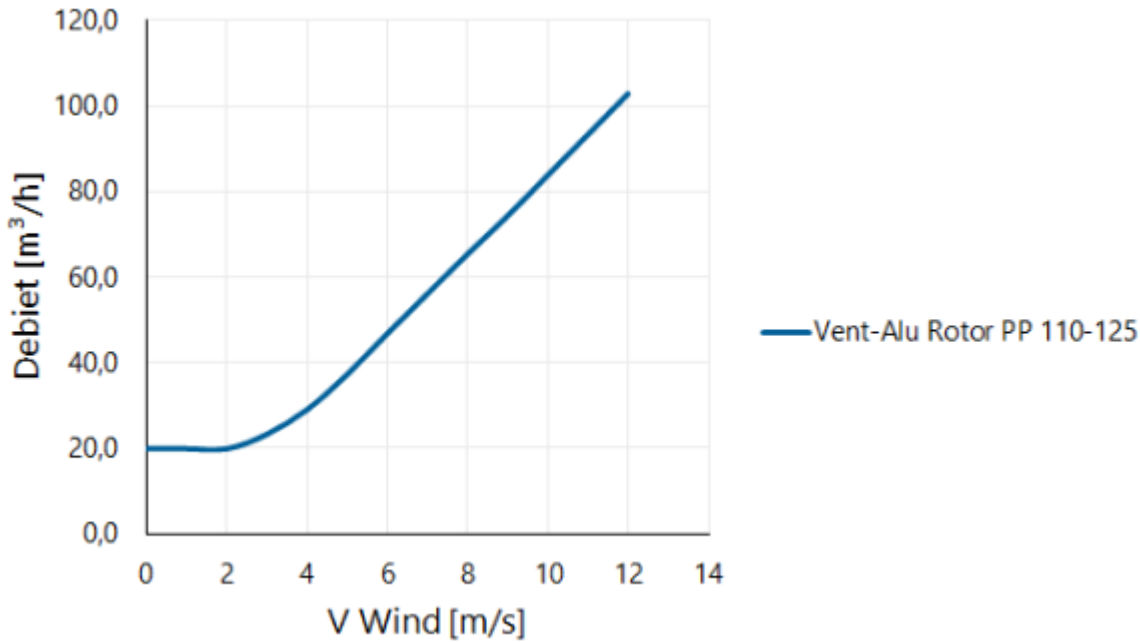
## Technical Specifications

Maximum air flow	102,9
Maximum air speed	12
Other specifications	-

## Certifications

Documents	-
-----------	---

## Volume flow as a function of wind speed + thermal draft $\Delta T$ 30°C



## Volume flow as a function of wind speed + thermal draft $\Delta T$ 30°C

Flow rate [m³/h]

V Wind [m/s]	Vent-Alu Rotor PP 110-125
0	20,0
1	20,0
2	20,0
3	23,4
4	29,2
5	37,4
6	46,9
7	56,2
8	65,5
9	74,4
10	83,9
11	93,4
12	102,9