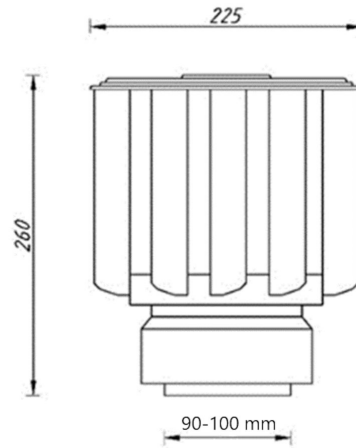


General information

Vent-Alu Rotor PP 90-100



Specifications

Article Number	420458409
Product category	Fan
Material hood	PP, UV resistant
Roof flashing material	None
Material isolation	-
Colour	Black
Weight (kg)	0,91
Type	-

Dimensions

Application	Air
Roof slope (°)	-
Connection diameter	90-100
Dimensions (l x w x h mm)	225 x 225 x 260

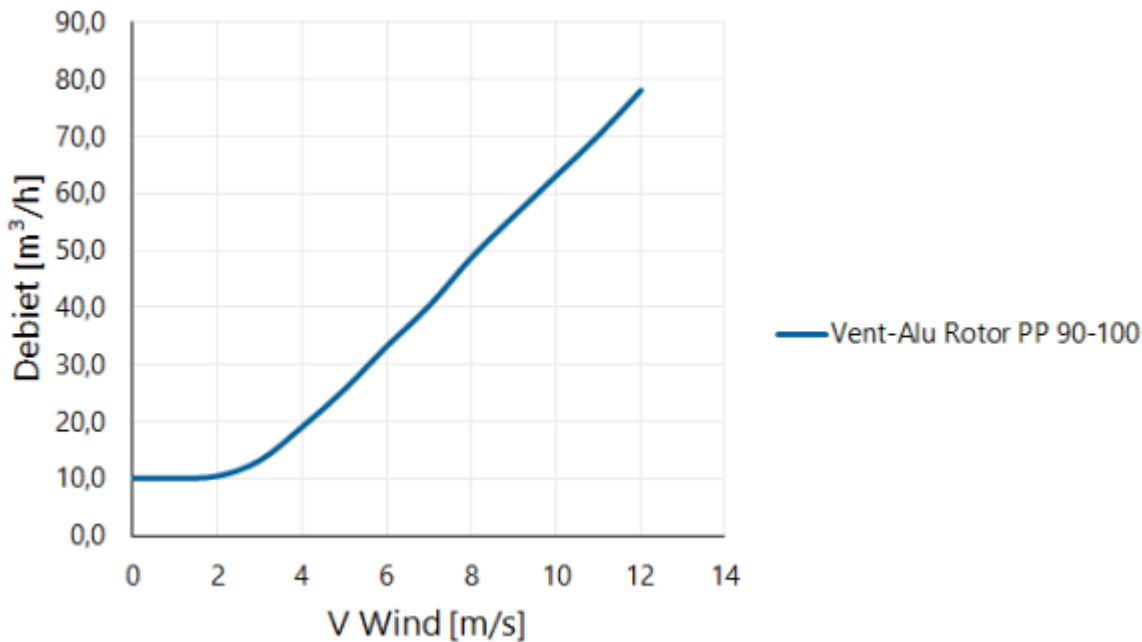
Technical Specifications

Maximum air flow	78,2
Maximum air speed	12
Other specifications	-

Certifications

Documents	-
-----------	---

Volume flow as a function of wind speed + thermal draft ΔT 30°C



Volume flow as a function of wind speed + thermal draft ΔT 30°C

Flow rate [m³/h]

V Wind [m/s]	Vent-Alu Rotor PP 90-100
0	10,0
1	10,0
2	10,4
3	13,1
4	19,0
5	25,6
6	33,2
7	40,3
8	48,8
9	56,1
10	63,2
11	70,3
12	78,2