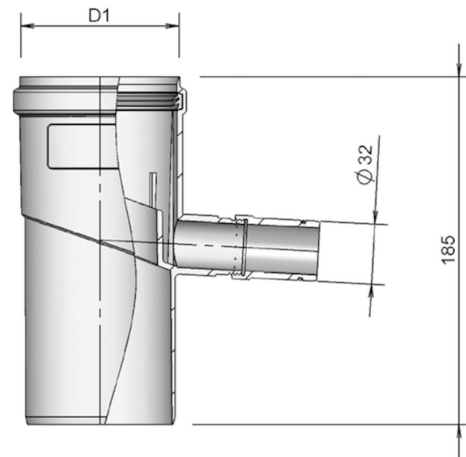


## General information

### Alu-fix Condensate trap horizontal/vertical AL 80



## Specifications

Article number	400451752
Material flue duct	Aluminium
Quality class flue duct	EN 573-3: 2019; EN AW-Al MgSi
Wall thickness flue duct nom (mm)	1,5
Material seal flue duct	Silicone Blue
Colour	Material own colour
Weight (kg)	0,38

## Dimensions

Diameter flue duct nom (mm)	80
Outer dimensions (l x w x h mm)	185 x 153 x 82

## Application Insights

Intended use	Discharge of Flue-gas condensation
Location class	For indoor use only

## Technical Specifications

---

Declaration of performance	001-MG-ALU DoP
Harmonized standard	EN 1856-1: 2009
System according to DoP	0.1
CE Marking	T200 P1 W V1 L10/11/13 150 O30
ζF Flue duct	0,91
Thermal resistance flue duct (m <sup>2</sup> K/W)	0
Roughness value flue duct (m)	N.a.
Equivalent length (m)	2,4
Other specifications	-

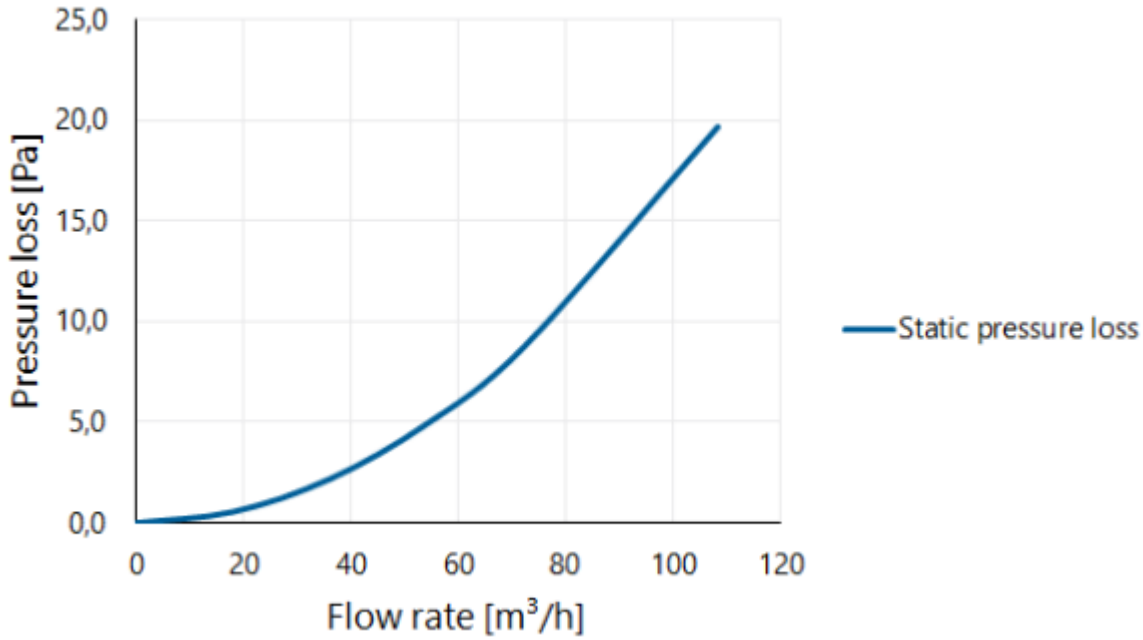
## Mounting and installation

---

Always install according to the national regulations. For safe installation, consult the installation and associated mounting instructions, see [Burgerhout.com](http://Burgerhout.com).

## Graph

Pressure loss versus flow rate



## Table

Flow rate versus pressure loss

Flow rate			Static pressure loss [Pa]
[m/s]	[m³/h]	[l/s]	
0	0	0	0,0
1	18	5	0,5
2	36	10	2,2
3	54	15	4,9
4	72	20	8,7
6	109	30	19,7