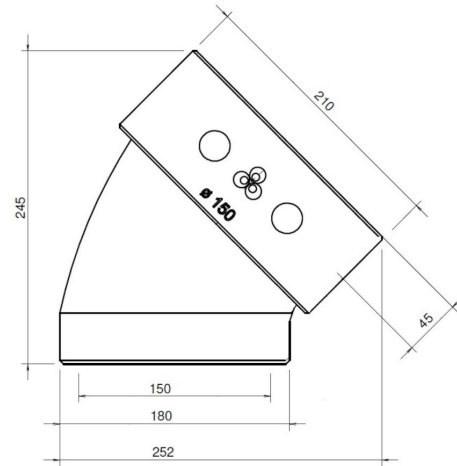


## General information

### EasyAir Elbow EPP 150 45°



## Specifications

Article number	400480476
Product category	Insulated tube
Material	EPP
Colour	Gray
Wall Thickness (mm)	15
Weight (kg)	0,1

## Dimensions

Diameter inside (mm)	150
Diameter outside (mm)	180
Dimensions (l x w x h mm)	252 x 210 x 245

## Application Insights

Intended use	Ventilation
Supply / Extract	Supply/Extract
Temperature range (°C)	-25 / +80

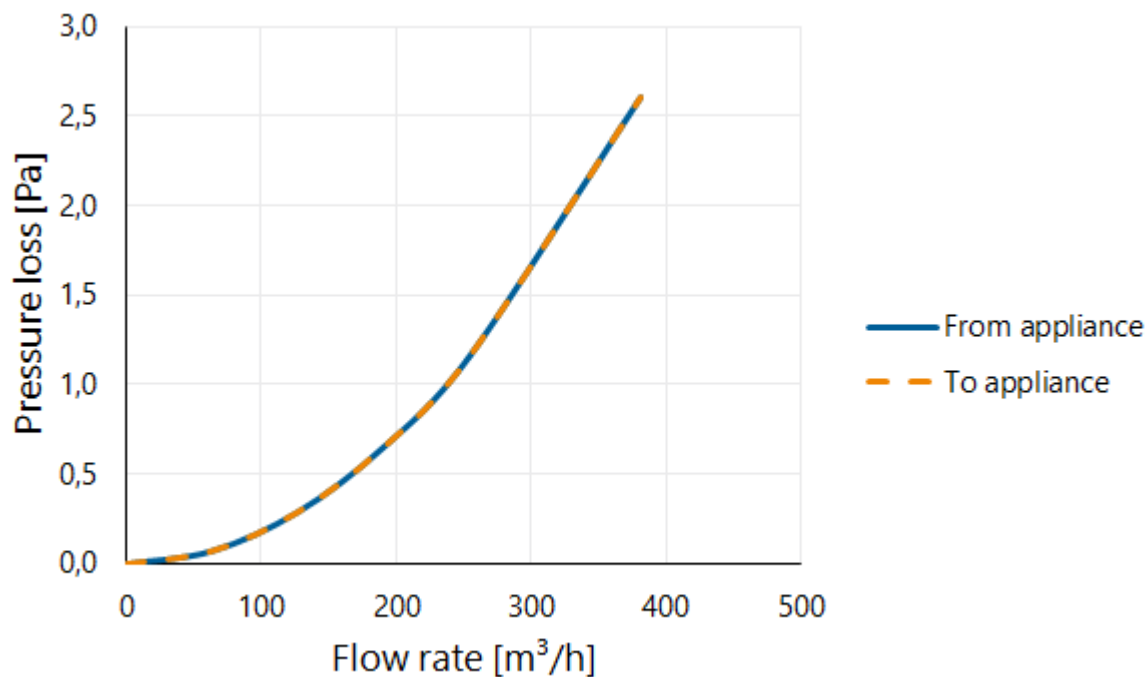
## Technical Specifications

---

Maximum air flow (m <sup>3</sup> /h)	375
ζ extract	0,10
ζ supply	0,10
Air Tightness Class	3
λ Thermal conductivity (W/(m·K))	0,037
R-value (m <sup>2</sup> K/W)	0,41
Fire rating	E
Other specifications	-

## Graph

Pressure loss



## Table

Flow velocity pressure table

Flow rate			Static pressure loss	
[m/s]	[m³/h]	[l/s]	From appliance [Pa]	To appliance [Pa]
0	0	0	0,0	0,0
1	64	18	0,1	0,1
2	127	35	0,3	0,3
3	191	53	0,7	0,7
4	254	71	1,2	1,2
6	382	106	2,6	2,6