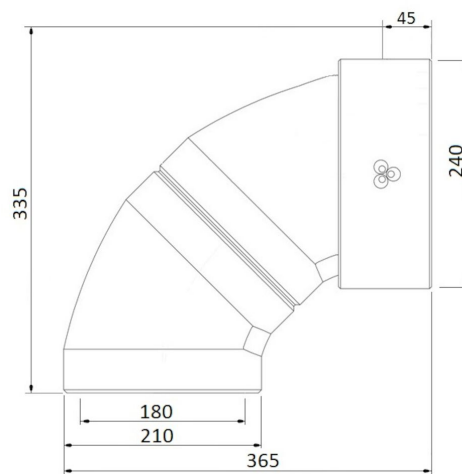


General information

EasyAir Elbow EPP 180 90°



Specifications

Article number	400480464
Product category	Insulated tube
Material	EPP
Colour	Gray
Wall Thickness (mm)	15
Weight (kg)	0,21

Dimensions

Diameter inside (mm)	180
Diameter outside (mm)	210
Dimensions (l x w x h mm)	335 x 240 x 365

Application Insights

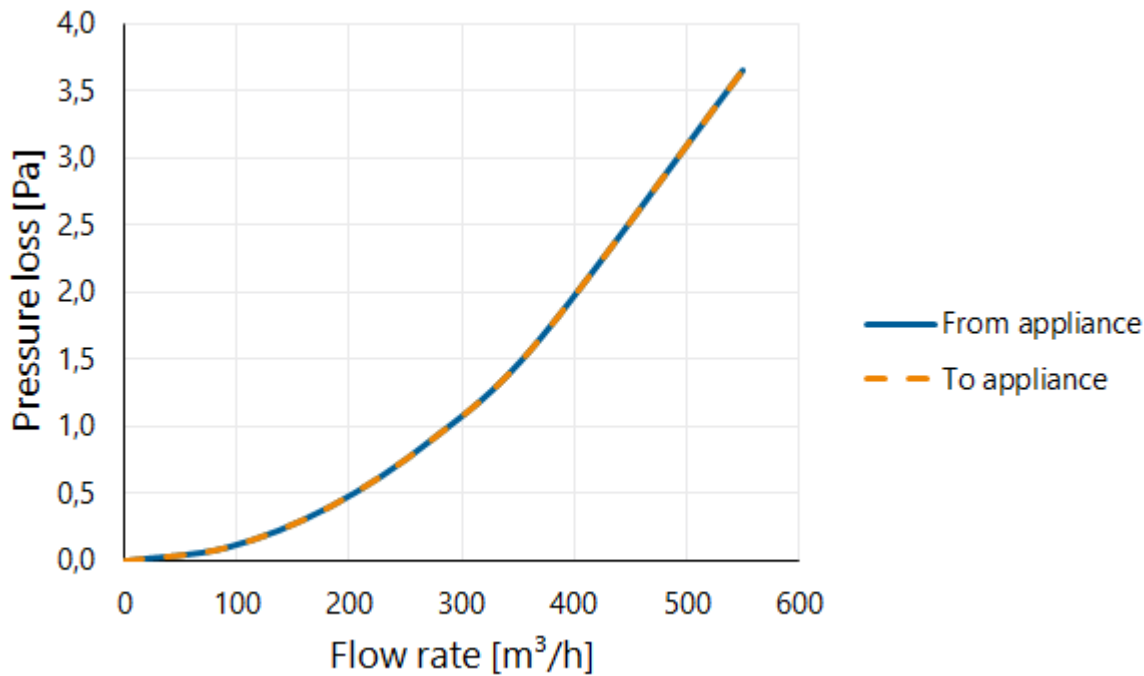
Intended use	Ventilation
Supply / Extract	Supply/Extract
Temperature range (°C)	-25 / +80

Technical Specifications

Maximum air flow (m ³ /h)	550
ζ extract	0,17
ζ supply	0,17
Air Tightness Class	3
λ Thermal conductivity (W/(m·K))	0,037
R-value (m ² K/W)	0,41
Fire rating	E
Other specifications	-

Graph

Pressure loss



Table

Flow velocity pressure table

Flow rate			Static pressure loss	
[m/s]	[m³/h]	[l/s]	From appliance [Pa]	To appliance [Pa]
0	0	0	0,0	0,0
1	92	25	0,1	0,1
2	183	51	0,4	0,4
3	275	76	0,9	0,9
4	366	102	1,6	1,6
6	550	153	3,7	3,7