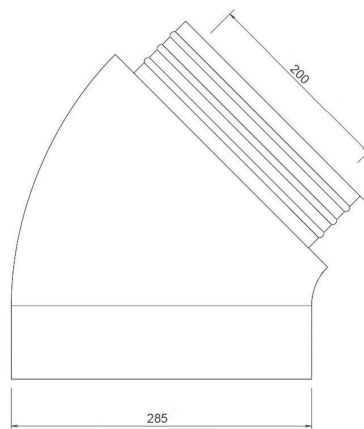


General information

EasyAir Elbow EPP+ 200 45°



Specifications

Article number	400480431
Product category	Insulated tube
Material	EPP
Colour	Black
Wall Thickness (mm)	43
Weight (kg)	0,27

Dimensions

Diameter inside (mm)	200
Diameter outside (mm)	285
Dimensions (l x w x h mm)	316 x 285 x 308

Application Insights

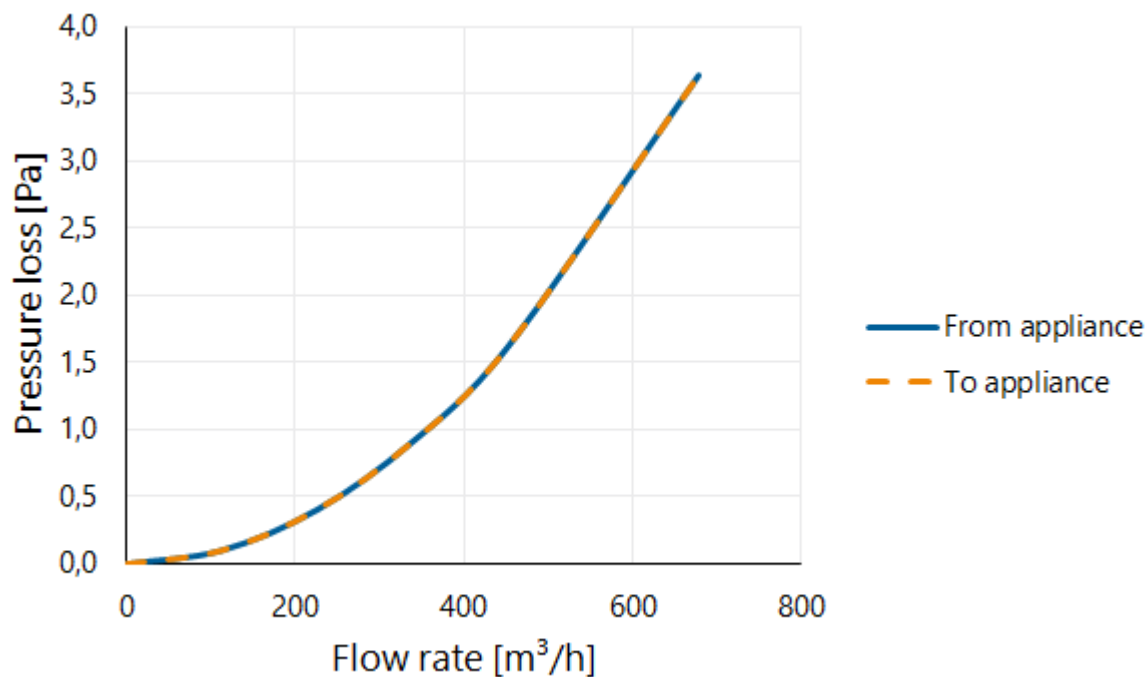
Intended use	Ventilation
Supply / Extract	Supply/Extract
Temperature range (°C)	-25 / +80

Technical Specifications

Maximum air flow (m ³ /h)	675
ζ extract	0,17
ζ supply	0,17
Air Tightness Class	3
λ Thermal conductivity (W/(m·K))	0,035
R-value (m ² K/W)	1,23
Fire rating	E
Other specifications	-

Graph

Pressure loss



Table

Flow velocity pressure table

Flow rate			Static pressure loss	
[m/s]	[m³/h]	[l/s]	From appliance [Pa]	To appliance [Pa]
0	0	0	0,0	0,0
1	113	31	0,1	0,1
2	226	63	0,4	0,4
3	339	94	0,9	0,9
4	452	126	1,6	1,6
6	679	188	3,6	3,6