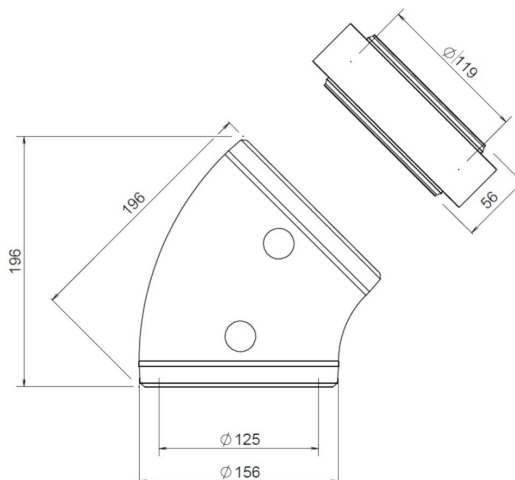


General information

EasyAir Elbow EPS 125 45°



Specifications

Article number	400480552
Product category	Insulated tube
Material	EPS
Colour	Gray
Wall Thickness (mm)	15,5
Weight (kg)	0,15

Dimensions

Diameter inside (mm)	125
Diameter outside (mm)	156
Dimensions (l x w x h mm)	189 x 156 x 193

Application Insights

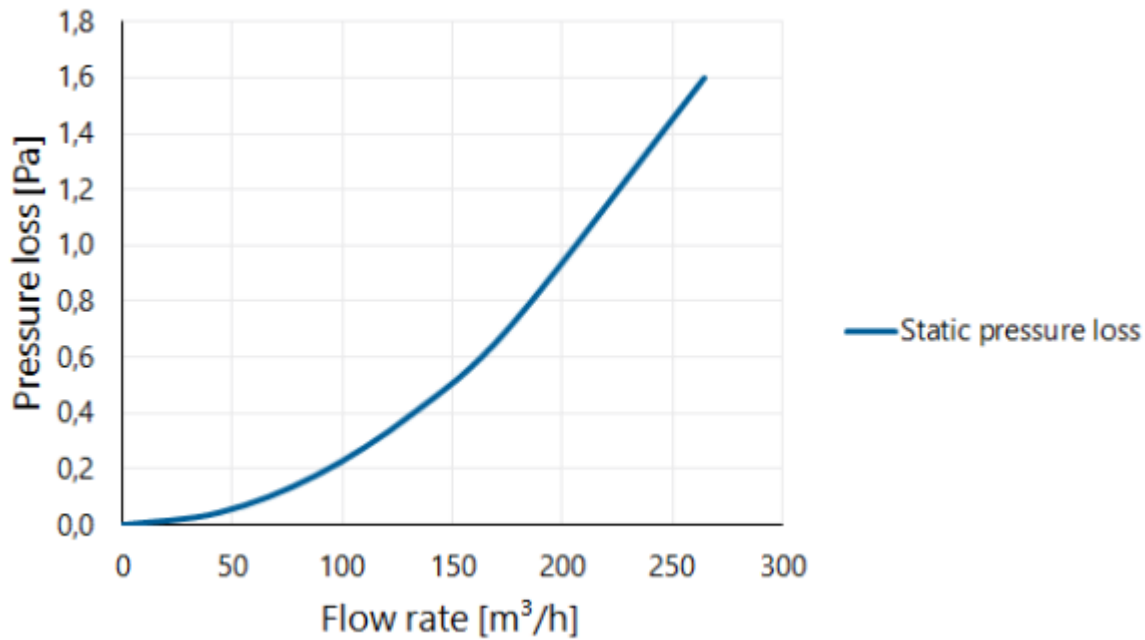
Intended use	Ventilation
Supply / Extract	Supply/Extract
Temperature range (°C)	-25 / +80

Technical Specifications

Maximum air flow (m ³ /h)	275
ζ extract	0,07
ζ supply	0,07
Air Tightness Class	2
λ Thermal conductivity (W/(m·K))	0,032
R-value (m ² K/W)	0,48
Fire rating	E
Other specifications	-

Graph

Pressure loss



Table

Flow velocity pressure table

Flow rate			Static pressure loss [Pa]
[m/s]	[m³/h]	[l/s]	
0	0	0	0,0
1	44	12	0,0
2	88	25	0,2
3	133	37	0,4
4	177	49	0,7
6	265	74	1,6