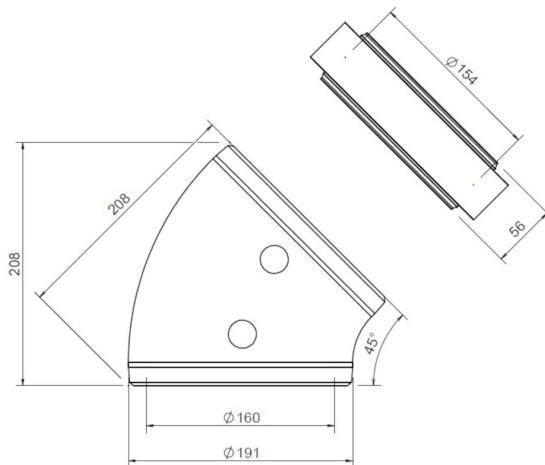


## General information

### EasyAir Elbow EPS 160 45°



## Specifications

Article number	400480562
Product category	Insulated tube
Material	EPS
Colour	Gray
Wall Thickness (mm)	15,5
Weight (kg)	0,18

## Dimensions

Diameter inside (mm)	160
Diameter outside (mm)	191
Dimensions (l x w x h mm)	218 x 191 x 208

## Application Insights

Intended use	Ventilation
Supply / Extract	Supply/Extract
Temperature range (°C)	-25 / +80

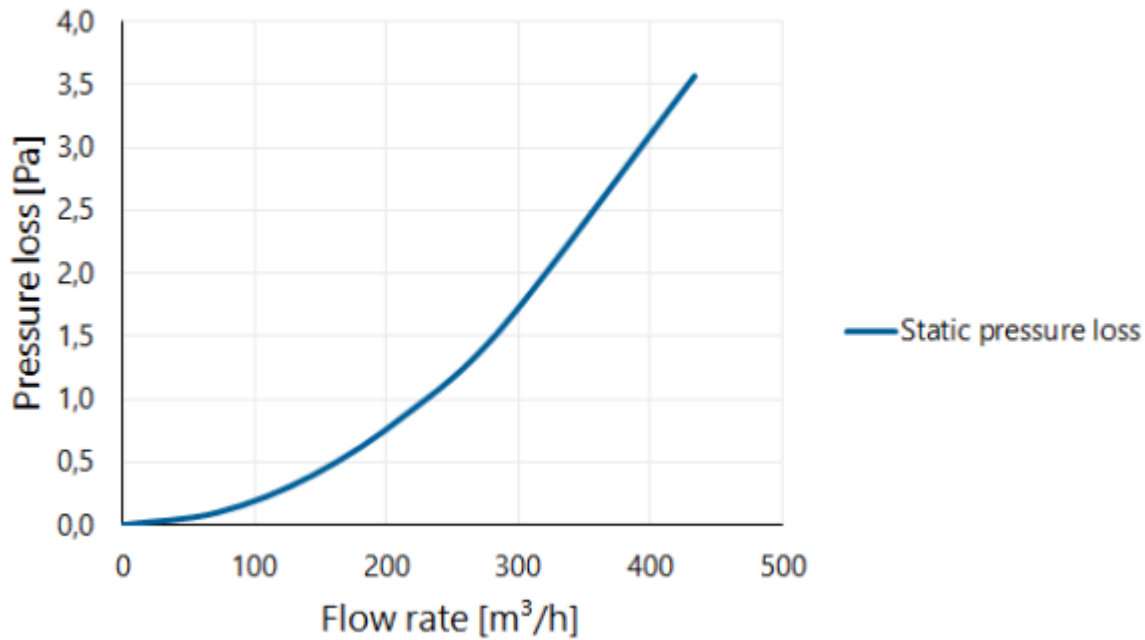
## Technical Specifications

---

Maximum air flow (m <sup>3</sup> /h)	425
ζ extract	0,16
ζ supply	0,16
Air Tightness Class	2
λ Thermal conductivity (W/(m·K))	0,032
R-value (m <sup>2</sup> K/W)	0,48
Fire rating	E
Other specifications	-

## Graph

Pressure loss



## Table

Flow velocity pressure table

Flow rate			Static pressure loss [Pa]
[m/s]	[m³/h]	[l/s]	
0	0	0	0,0
1	72	20	0,1
2	145	40	0,4
3	217	60	0,9
4	290	80	1,6
6	434	121	3,6