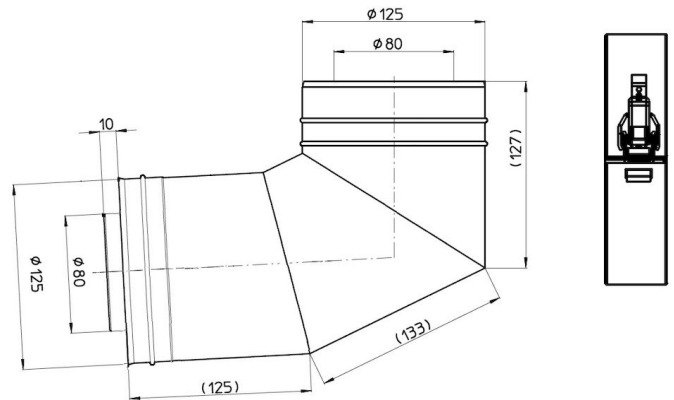


General information

Outdoor Elbow PP 80/125 90°



Specifications

Article number	400455010
Material flue duct	Plastic
Quality class flue duct	PP
Wall thickness flue duct nom (mm)	2,1
Material seal flue duct	EPDM
Material air duct	SST (polished)
Quality class air duct	EN10088-1: 2014; 1.4301 (304 BA)
Wall Thickness (mm)	0,4
Material seal air duct	EPDM
Colour air duct	Material's own color
Weight (kg)	0,71

Dimensions

Diameter flue duct nom (mm)	80
Diameter air duct nom (mm)	125
Outer dimensions (l x w x h mm)	250 x 130 x 195

Application Insights

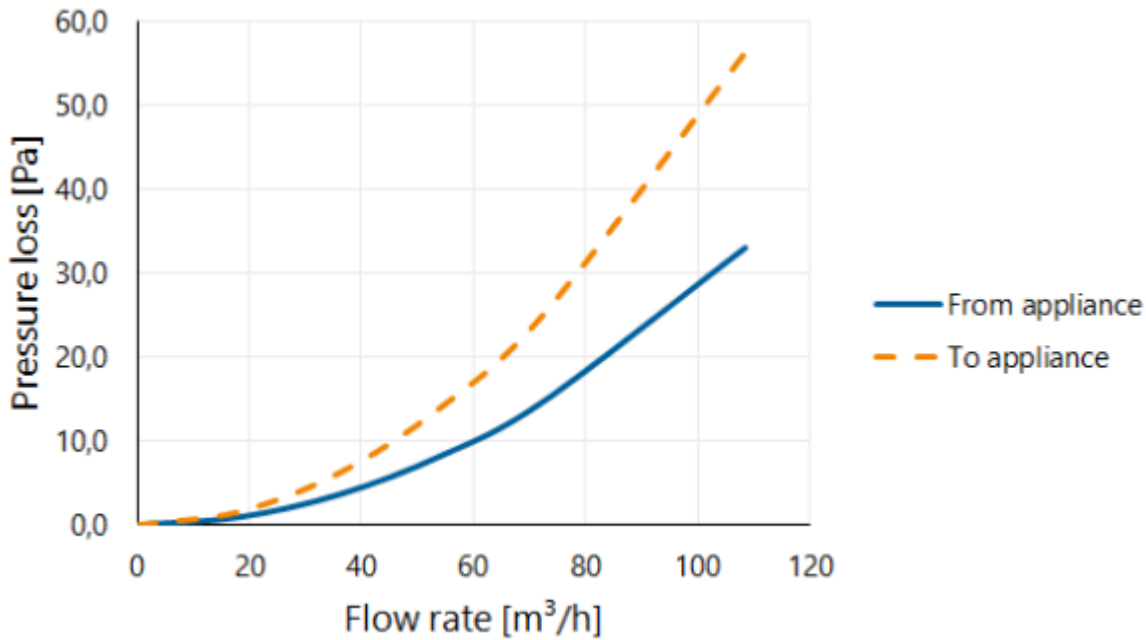
Intended use	Exhaust of flue gases and supply of combustion air
Location class	For outdoor use

Technical Specifications

Declaration of performance	001-MG-PP DoP
Harmonized standard	EN 14471: 2013 + A1: 2015
System according to DoP	0.3a
CE Marking	T120 P1 W2 O00 LE E U0
ζF Flue duct	1,53
ζA Air duct	2,61
Thermal resistance flue duct (m ² K/W)	0
Thermal resistance air duct (m ² K/W)	0
Roughness value flue duct (m)	N.a.
Roughness value air duct (m)	N.a.
Equivalent length (m)	4,5
Other specifications	-

Graph

Pressure loss versus flow rate



Table

Flow rate versus pressure loss

Flow rate			Static pressure loss	
[m/s]	[m³/h]	[l/s]	From appliance [Pa]	To appliance [Pa]
0	0	0	0,0	0,0
1	18	5	0,9	1,6
2	36	10	3,7	6,3
3	54	15	8,3	14,1
4	72	20	14,7	25,1
6	109	30	33,0	56,4