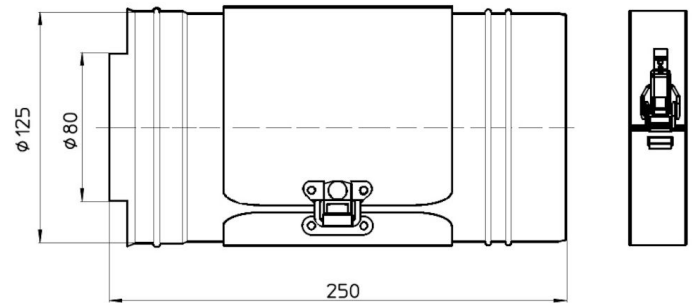


General information

Outdoor Extension with Inspection PP 80/125



Specifications

| | |
|-----------------------------------|----------------------------------|
| Article number | 400455008 |
| Material flue duct | Plastic |
| Quality class flue duct | PP |
| Wall thickness flue duct nom (mm) | 2,1 |
| Material seal flue duct | EPDM |
| Material air duct | SST (polished) |
| Quality class air duct | EN10088-1: 2014; 1.4301 (304 BA) |
| Wall Thickness (mm) | 0,4 |
| Material seal air duct | EPDM |
| Colour air duct | Material's own color |
| Weight (kg) | 0,79 |

Dimensions

| | |
|---------------------------------|-----------------|
| Diameter flue duct nom (mm) | 80 |
| Diameter air duct nom (mm) | 125 |
| Outer dimensions (l x w x h mm) | 250 x 130 x 130 |

Application Insights

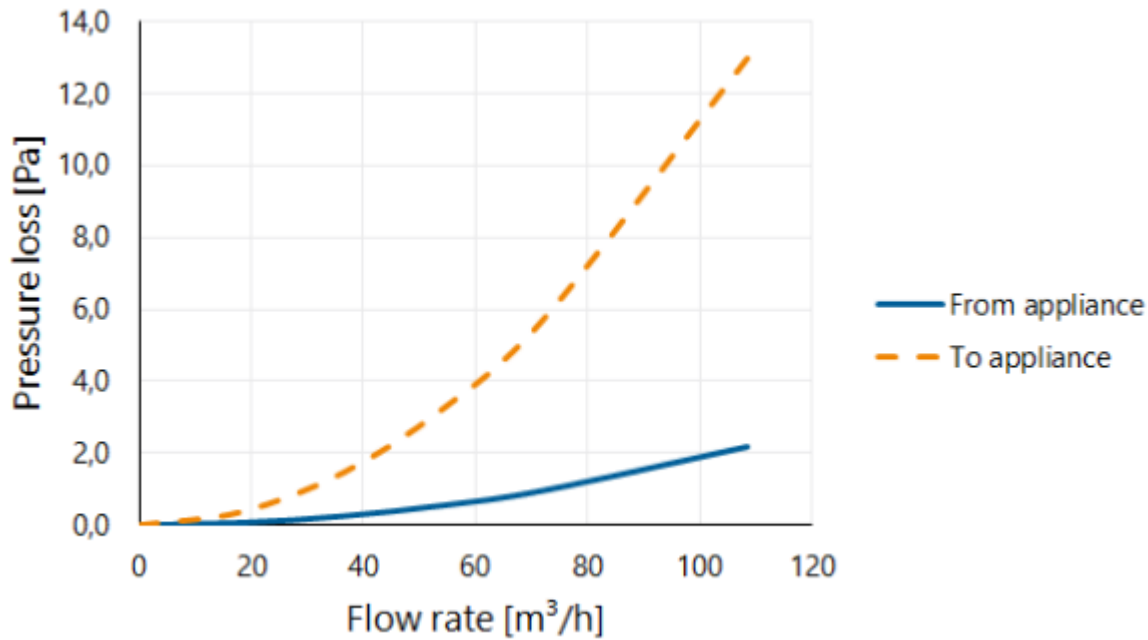
| | |
|----------------|--|
| Intended use | Exhaust of flue gases and supply of combustion air |
| Location class | For outdoor use |

Technical Specifications

| | |
|---|---------------------------|
| Declaration of performance | 001-MG-PP DoP |
| Harmonized standard | EN 14471: 2013 + A1: 2015 |
| System according to DoP | 0.3a |
| CE Marking | T120 P1 W2 O00 LE E U0 |
| ζF Flue duct | 0,1 |
| ζA Air duct | 0,6 |
| Thermal resistance flue duct (m ² K/W) | 0 |
| Thermal resistance air duct (m ² K/W) | 0 |
| Roughness value flue duct (m) | N.a. |
| Roughness value air duct (m) | N.a. |
| Equivalent length (m) | 0,25 |
| Other specifications | - |

Graph

Pressure loss versus flow rate



Table

Flow rate versus pressure loss

| Flow rate | | | Static pressure loss | |
|-----------|--------|-------|----------------------|-------------------|
| [m/s] | [m³/h] | [l/s] | From appliance [Pa] | To appliance [Pa] |
| 0 | 0 | 0 | 0,0 | 0,0 |
| 1 | 18 | 5 | 0,1 | 0,4 |
| 2 | 36 | 10 | 0,2 | 1,4 |
| 3 | 54 | 15 | 0,5 | 3,2 |
| 4 | 72 | 20 | 1,0 | 5,8 |
| 6 | 109 | 30 | 2,2 | 13,0 |