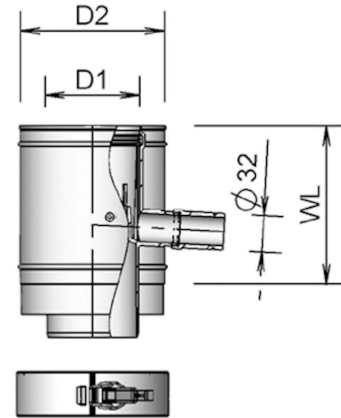


General information

TwinSafe+ Condensate trap AL Concentric 80/125



Specifications

| | |
|-----------------------------------|-------------------------------|
| Article number | 400453931 |
| Material flue duct | Aluminium |
| Quality class flue duct | EN 573-3: 2019; EN AW-Al MgSi |
| Wall thickness flue duct nom (mm) | 1,5 |
| Material seal flue duct | Silicone Blue |
| Material air duct | Galvanized steel (coated) |
| Quality class air duct | EN10346: DX52D |
| Wall Thickness (mm) | 0,4 |
| Material seal air duct | EPDM |
| Colour air duct | White (RAL 9016) |
| Weight (kg) | 0,84 |

Dimensions

| | |
|---------------------------------|-----------------|
| Diameter flue duct nom (mm) | 80 |
| Diameter air duct nom (mm) | 125 |
| Outer dimensions (l x w x h mm) | 185 x 135 x 135 |

Application Insights

| | |
|----------------|--|
| Intended use | Exhaust of flue gases and supply of combustion air |
| Location class | For outdoor and indoor installation |

Technical Specifications

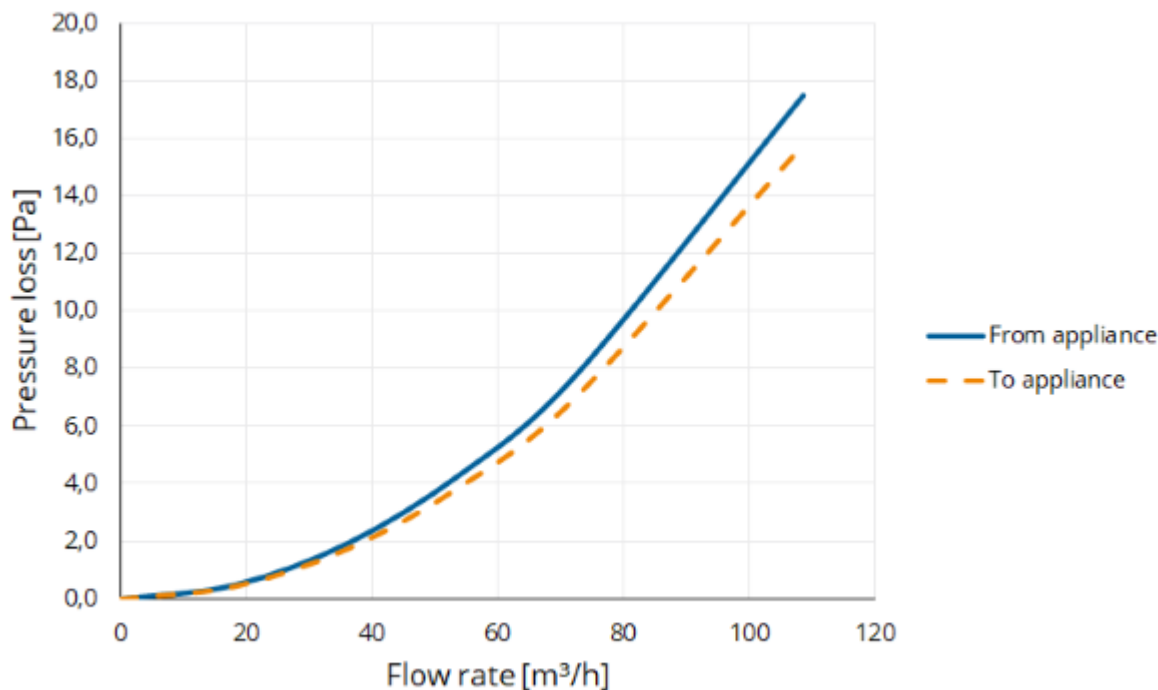
| | |
|--|-----------------------------------|
| Declaration of performance | 001-MG-ALU DoP |
| Harmonized standard | EN 1856-1: 2009 |
| System according to DoP | 0,4 |
| CE Marking | T200 P1 W V1 L10/11/13 150 000 |
| ζF Flue duct | 0,81 |
| ζA Air duct | 0,73 |
| Thermal resistance flue duct (m ² K/W) | 0 |
| Thermal resistance air duct (m ² K /W) | 0 |
| Roughness value flue duct (m) | 0,001 |
| Roughness value air duct (m) | - |
| Equivalent length (m) | 0,19 |
| Other specifications | - |

Mounting and installation

Always install according to the national regulations. For safe installation, consult the installation and associated mounting instructions, see Burgerhout.com.

Graph

Pressure loss versus flow rate



Table

Flow rate versus pressure loss

| Flow rate | | | Static pressure loss | |
|-----------|--------|-------|----------------------|-------------------|
| [m/s] | [m³/h] | [l/s] | From appliance [Pa] | To appliance [Pa] |
| 0 | 0 | 0 | 0,0 | 0,0 |
| 1 | 18 | 5 | 0,5 | 0,4 |
| 2 | 36 | 10 | 1,9 | 1,8 |
| 3 | 54 | 15 | 4,4 | 3,9 |
| 4 | 72 | 20 | 7,8 | 7,0 |
| 6 | 109 | 30 | 17,5 | 15,8 |

Version MG-DS-400453931-2021.10 • Specifications are subject to change without notice.