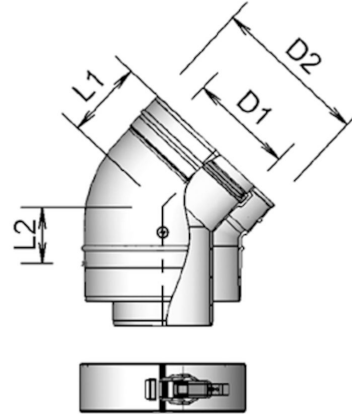


## General information

### TwinSafe+ Elbow AL Concentric 60/100 45°



## Specifications

Article number	400456223
Material flue duct	Aluminium
Quality class flue duct	EN 573-3: 2019; EN AW AlSi12(A)
Wall thickness flue duct nom (mm)	1,5
Material seal flue duct	Silicone Blue
Material air duct	Aluminum (coated)
Quality class air duct	EN 573-3: 2019; EN AW AlSi12(A)
Wall Thickness (mm)	0,4
Material seal air duct	EPDM
Colour air duct	White (RAL 9016)
Weight (kg)	0,52

## Dimensions

Diameter flue duct nom (mm)	60
Diameter air duct nom (mm)	100
Outer dimensions (l x w x h mm)	173 x 130 x 110

## Application Insights

Intended use	Exhaust of flue gases and supply of combustion air
Location class	For outdoor and indoor installation

## Technical Specifications

---

Declaration of performance	001-MG-ALU DoP
Harmonized standard	EN 1856-1: 2009
System according to DoP	0,4
CE Marking	T200 P1 W V1 L10/11/13 150 000
ζF Flue duct	0,41
ζA Air duct	1,11
Thermal resistance flue duct (m <sup>2</sup> K/W)	0
Thermal resistance air duct (m <sup>2</sup> K /W)	0
Roughness value flue duct (m)	N.a.
Roughness value air duct (m)	N.a.
Equivalent length (m)	0,79
Other specifications	-

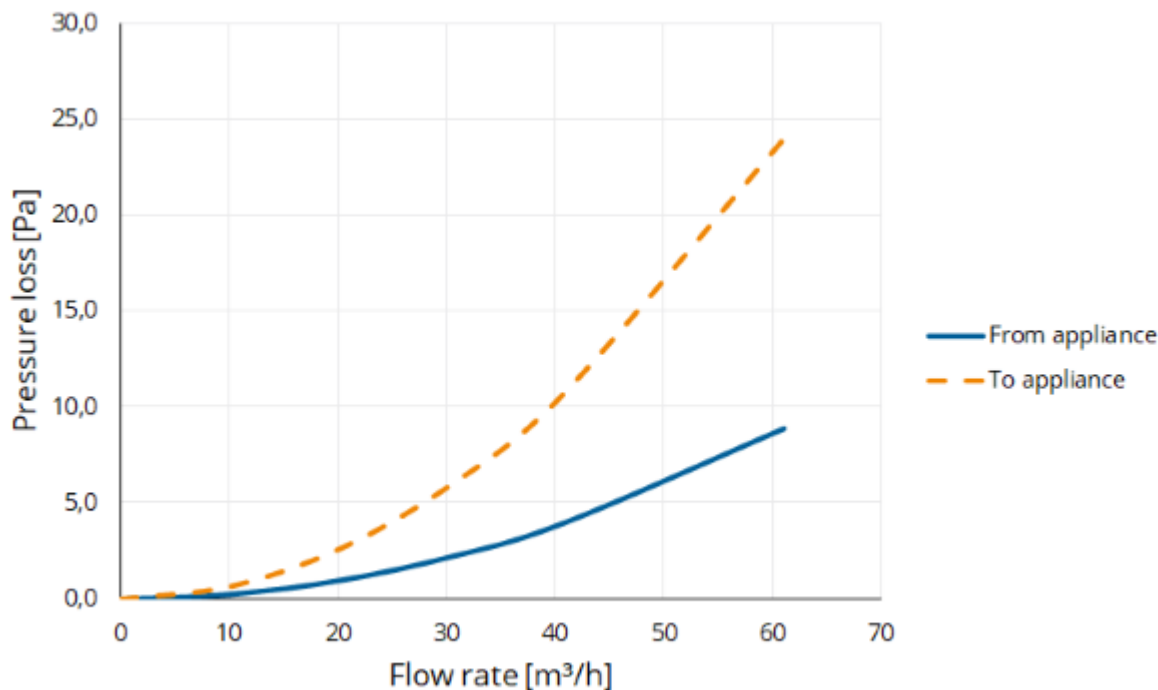
## Mounting and installation

---

Always install according to the national regulations. For safe installation, consult the installation and associated mounting instructions, see [Burgerhout.com](http://Burgerhout.com).

## Graph

Pressure loss versus flow rate



## Table

Flow rate versus pressure loss

Flow rate			Static pressure loss	
[m/s]	[m³/h]	[l/s]	From appliance [Pa]	To appliance [Pa]
0	0	0	0,0	0,0
1	10	3	0,2	0,7
2	20	6	1,0	2,7
3	31	8	2,2	6,0
4	41	11	3,9	10,7
6	61	17	8,9	24,0