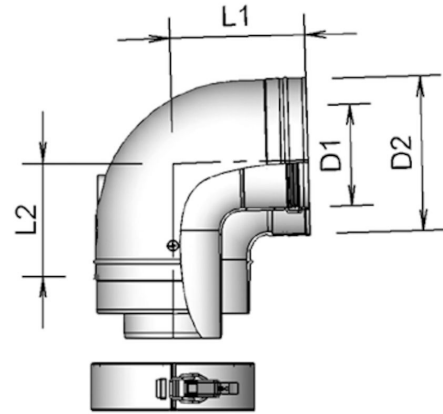


**General information**

TwinSafe+ Elbow AL Concentric 80/125 90°



**Specifications**

Article number	400453907
Material flue duct	Aluminium
Quality class flue duct	EN 573-3: 2019; EN AW AlSi12(A)
Wall thickness flue duct nom (mm)	1,5
Material seal flue duct	Silicone Blue
Material air duct	Aluminum (coated)
Quality class air duct	EN 573-3: 2019; EN AW AlSi12(A)
Wall Thickness (mm)	0,4
Material seal air duct	EPDM
Colour air duct	White (RAL 9016)
Weight (kg)	1,01

**Dimensions**

Diameter flue duct nom (mm)	80
Diameter air duct nom (mm)	125
Outer dimensions (l x w x h mm)	172 x 127 x 135

**Application Insights**

Intended use	Exhaust of flue gases and supply of combustion air
Location class	For outdoor and indoor installation

Version MG-DS-400453907-2021.10 • Specifications are subject to change without notice.

## Technical Specifications

---

Declaration of performance	001-MG-ALU DoP
Harmonized standard	EN 1856-1: 2009
System according to DoP	0,4
CE Marking	T200 P1 W V1 L10/11/13 150 000
ζF Flue duct	0,89
ζA Air duct	1,25
Thermal resistance flue duct (m <sup>2</sup> K/W)	0
Thermal resistance air duct (m <sup>2</sup> K /W)	0
Roughness value flue duct (m)	N.a.
Roughness value air duct (m)	N.a.
Equivalent length (m)	2,34
Other specifications	-

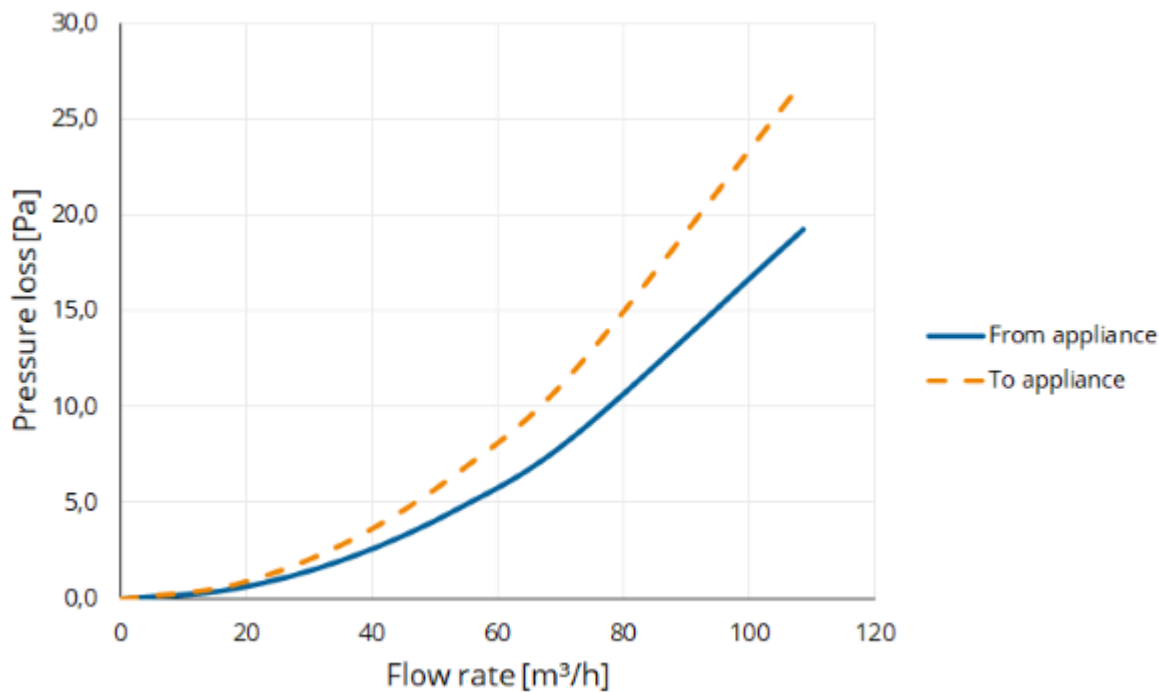
## Mounting and installation

---

Always install according to the national regulations. For safe installation, consult the installation and associated mounting instructions, see [Burgerhout.com](http://Burgerhout.com).

## Graph

Pressure loss versus flow rate



## Table

Flow rate versus pressure loss

Flow rate			Static pressure loss	
[m/s]	[m³/h]	[l/s]	From appliance [Pa]	To appliance [Pa]
0	0	0	0,0	0,0
1	18	5	0,5	0,8
2	36	10	2,1	3,0
3	54	15	4,8	6,8
4	72	20	8,5	12,0
6	109	30	19,2	27,0