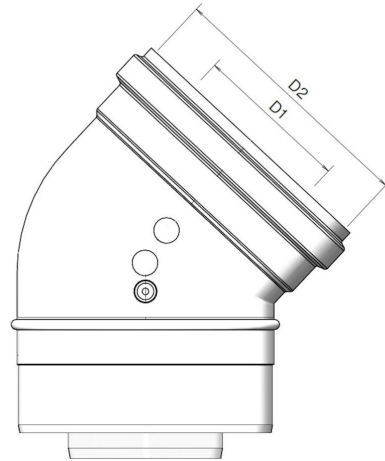


## General information

### TwinSafe Elbow PP Concentric 60/100 45°



## Specifications

|                                   |                                 |
|-----------------------------------|---------------------------------|
| Article number                    | 400470876                       |
| Material flue duct                | Plastic                         |
| Quality class flue duct           | PP                              |
| Wall thickness flue duct nom (mm) | 2,1                             |
| Material seal flue duct           | EPDM                            |
| Material air duct                 | Aluminum (coated)               |
| Quality class air duct            | EN 573-3: 2019; EN AW AlSi12(A) |
| Wall Thickness (mm)               | 2                               |
| Material seal air duct            | EPDM                            |
| Colour air duct                   | White (RAL 9016)                |
| Weight (kg)                       | 0,32                            |

## Dimensions

|                                 |                 |
|---------------------------------|-----------------|
| Diameter flue duct nom (mm)     | 60              |
| Diameter air duct nom (mm)      | 100             |
| Outer dimensions (l x w x h mm) | 135 x 110 x 130 |

## Application Insights

|                |  |
|----------------|--|
| Intended use   | Exhaust of flue gases and supply of combustion air |
| Location class | For indoor use only                                |

## Technical Specifications

---

|  |                           |
|--|---------------------------|
| Declaration of performance                         | 001-MG-PP DoP             |
| Harmonized standard                                | EN 14471: 2013 + A1: 2015 |
| System according to DoP                            | 0.3                       |
| CE Marking   | T120 H1 W2 O00 LI/LE E U0 |
| ζF Flue duct                                       | 0,6                       |
| ζA Air duct  | 1                         |
| Thermal resistance flue duct (m <sup>2</sup> K/W)  | 0                         |
| Thermal resistance air duct (m <sup>2</sup> K /W)0 |                           |
| Roughness value flue duct (m)                      | N.a.                      |
| Roughness value air duct (m)                       | N.a.                      |
| Equivalent length (m)                              | 0,8                       |
| Other specifications                               | -                         |

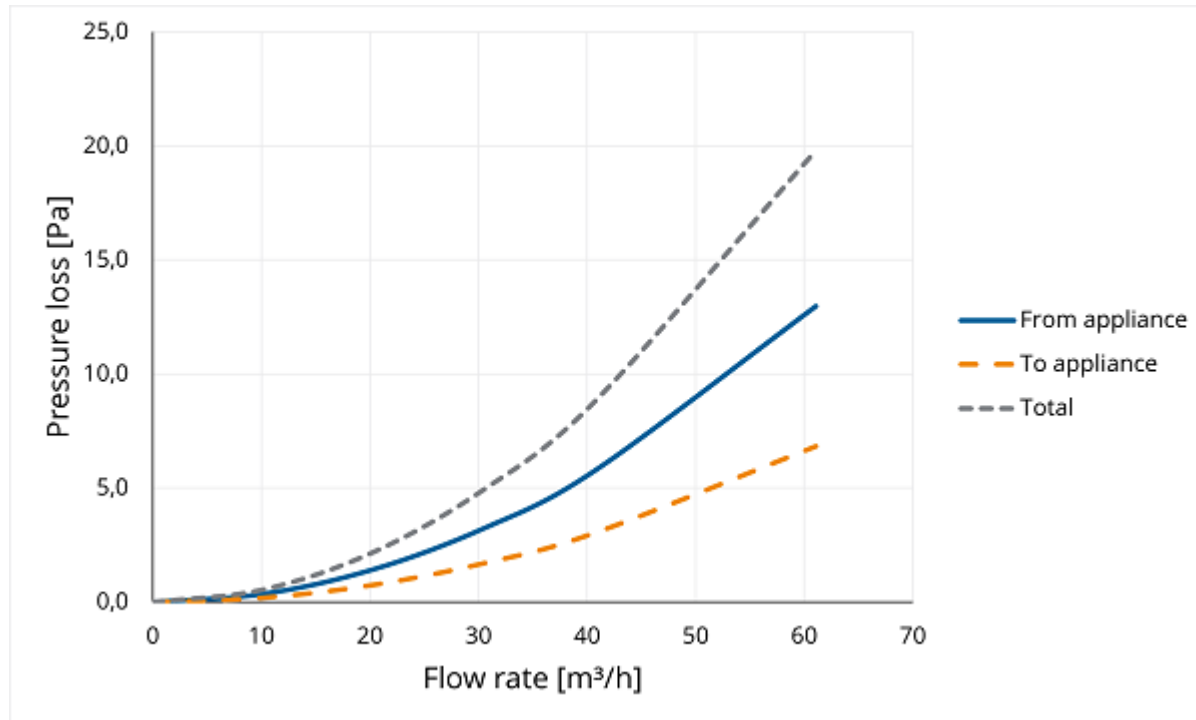
## Mounting and installation

---

Always install according to the national regulations. For safe installation, consult the installation and associated mounting instructions, see [Burgerhout.com](http://Burgerhout.com).

## Graph

Pressure loss versus flow rate



## Table

Flow rate versus pressure loss

| Flow rate |        |       | Static pressure loss |                   |            |
|-----------|--------|-------|----------------------|-------------------|------------|
| [m/s]     | [m³/h] | [l/s] | From appliance [Pa]  | To appliance [Pa] | Total [Pa] |
| 0         | 0      | 0     | 0,0                  | 0,0               | 0,0        |
| 1         | 10     | 3     | 0,4                  | 0,2               | 0,5        |
| 2         | 20     | 6     | 1,4                  | 0,8               | 2,2        |
| 3         | 31     | 8     | 3,2                  | 1,7               | 4,9        |
| 4         | 41     | 11    | 5,8                  | 3,0               | 8,8        |
| 6         | 61     | 17    | 13,0                 | 6,8               | 19,8       |