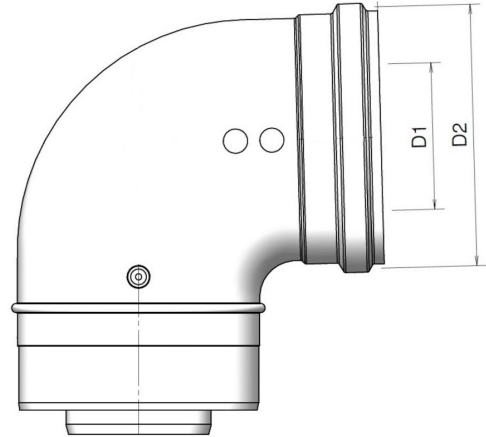


General information

TwinSafe Elbow PP Concentric 80/125 90°



Specifications

Article number	400470885
Material flue duct	Plastic
Quality class flue duct	PP
Wall thickness flue duct nom (mm)	2,1
Material seal flue duct	EPDM
Material air duct	Aluminum (coated)
Quality class air duct	EN 573-3: 2019; EN AW AlSi12(A)
Wall Thickness (mm)	2
Material seal air duct	EPDM
Colour air duct	White (RAL 9016)
Weight (kg)	0,65

Dimensions

Diameter flue duct nom (mm)	80
Diameter air duct nom (mm)	125
Outer dimensions (l x w x h mm)	185 x 175 x 135

Application Insights

Intended use	Exhaust of flue gases and supply of combustion air
Location class	For indoor use only

Technical Specifications

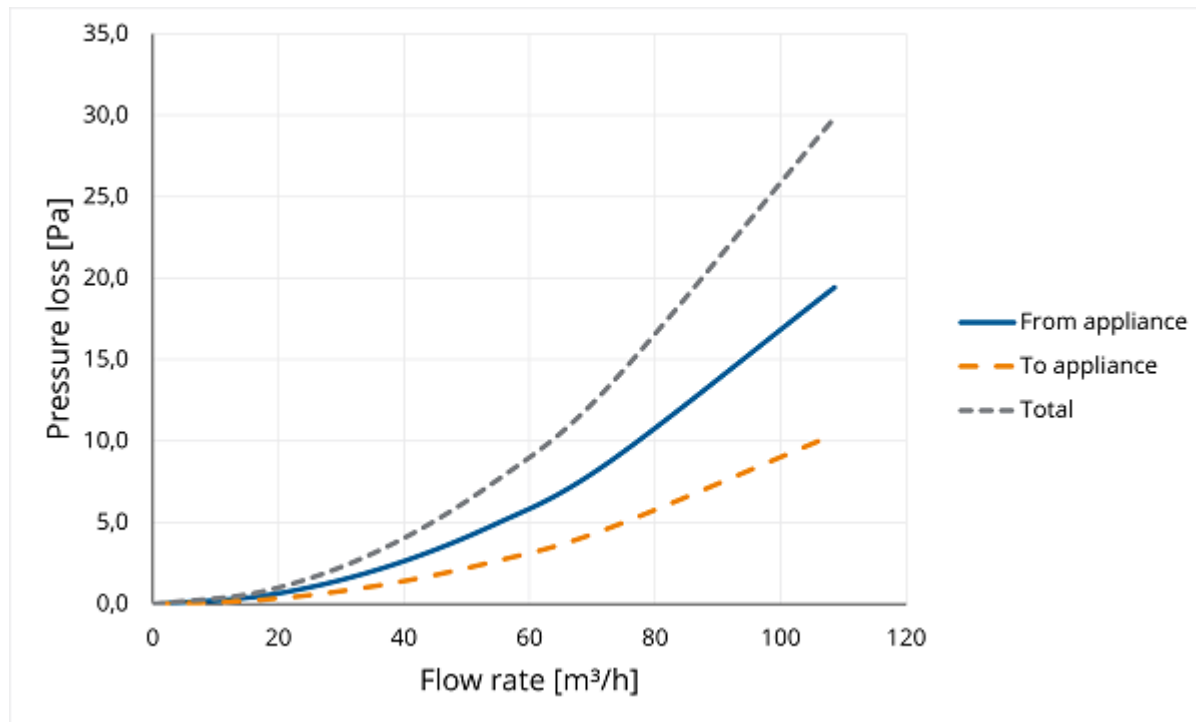
Declaration of performance	001-MG-PP DoP
Harmonized standard	EN 14471: 2013 + A1: 2015
System according to DoP	0.3
CE Marking	T120 H1 W2 O00 LI/LE E U0
ζF Flue duct	0,9
ζA Air duct	1
Thermal resistance flue duct (m ² K/W)	0
Thermal resistance air duct (m ² K /W)0	
Roughness value flue duct (m)	N.a.
Roughness value air duct (m)	N.a.
Equivalent length (m)	3
Other specifications	-

Mounting and installation

Always install according to the national regulations. For safe installation, consult the installation and associated mounting instructions, see Burgerhout.com.

Graph

Pressure loss versus flow rate



Table

Flow rate versus pressure loss

Flow rate			Static pressure loss		
[m/s]	[m³/h]	[l/s]	From appliance [Pa]	To appliance [Pa]	Total [Pa]
0	0	0	0,0	0,0	0,0
1	18	5	0,5	0,3	0,8
2	36	10	2,2	1,2	3,3
3	54	15	4,9	2,6	7,5
4	72	20	8,6	4,6	13,3
6	109	30	19,4	10,4	29,8