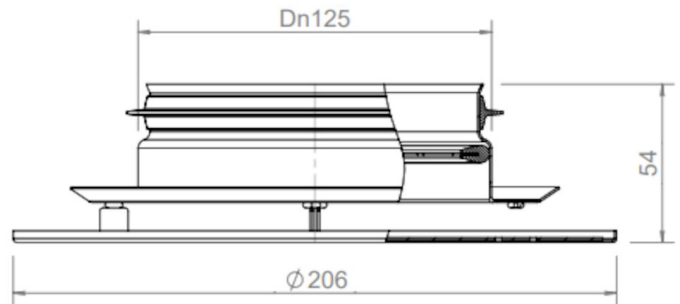


## General information

### Hybalans+ Supply/Extract Design valve Round



## Specifications

Article number	400474096
Product category	Air valve
Material	Galvanized steel
Colour	White (RAL 9016)
Weight (kg)	0,7

## Dimensions

Dimensions (l x w x h mm)	206 x 206 x 54
Connection diameter rigid (mm)	125

## Application Insights

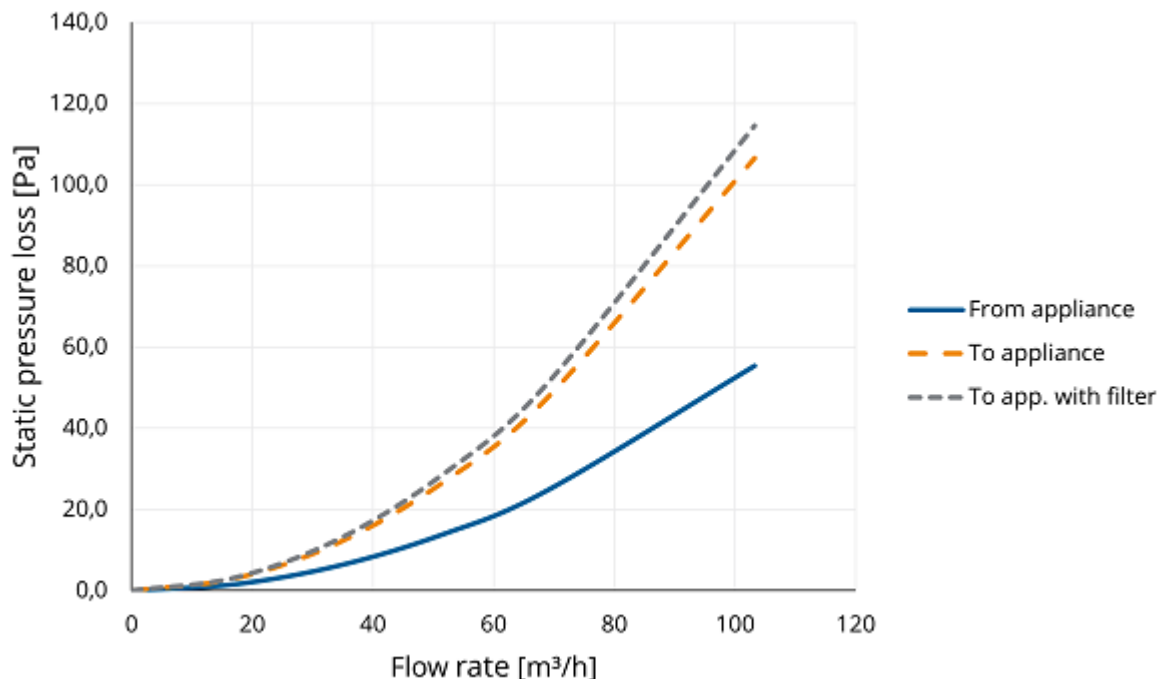
Intended use	Air
Supply / Extract	Supply/Extract
Temperature range (°C)	-25 / +80

## Technical Specifications

Maximum air flow (m <sup>3</sup> /h)	50
ζ extract	4,93
ζ supply	2,57
Air Tightness Class	2
R-value (m <sup>2</sup> K/W)	0
Fire rating	F
Other specifications	-

## Designer valve round with valve connection 125 92 90° (400480616)

Pressure loss



## Designer valve round with valve connection 125 92 90° (400480616)

Flow velocity pressure table

Flow rate			Static pressure loss		
[m/s]	[m³/h]	[l/s]	From appliance [Pa]	To appliance [Pa]	To app. with filter [Pa]
0	0	0	0,0	0,0	0,0
1	17	5	1,5	3,0	3,2
2	34	10	6,2	11,8	12,7
3	52	14	13,9	26,6	28,6
4	69	19	24,6	47,4	50,9
6	103	29	55,4	106,5	114,6