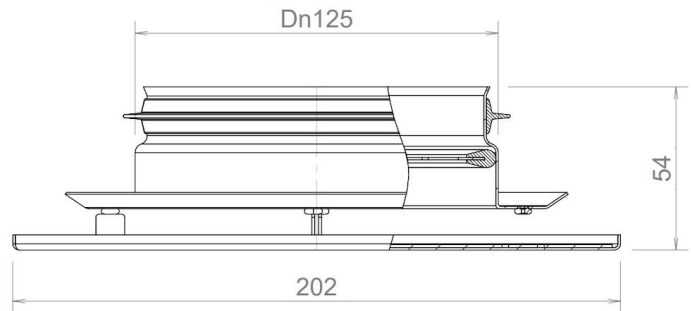


General information

Hybalans+ Supply/Extract Design valve Square



Specifications

Article number	400474095
Product category	Air valve
Material	Galvanized steel
Colour	White (RAL 9016)
Weight (kg)	0,7

Dimensions

Dimensions (l x w x h mm)	202 x 202 x 54
Connection diameter rigid (mm)	125

Application Insights

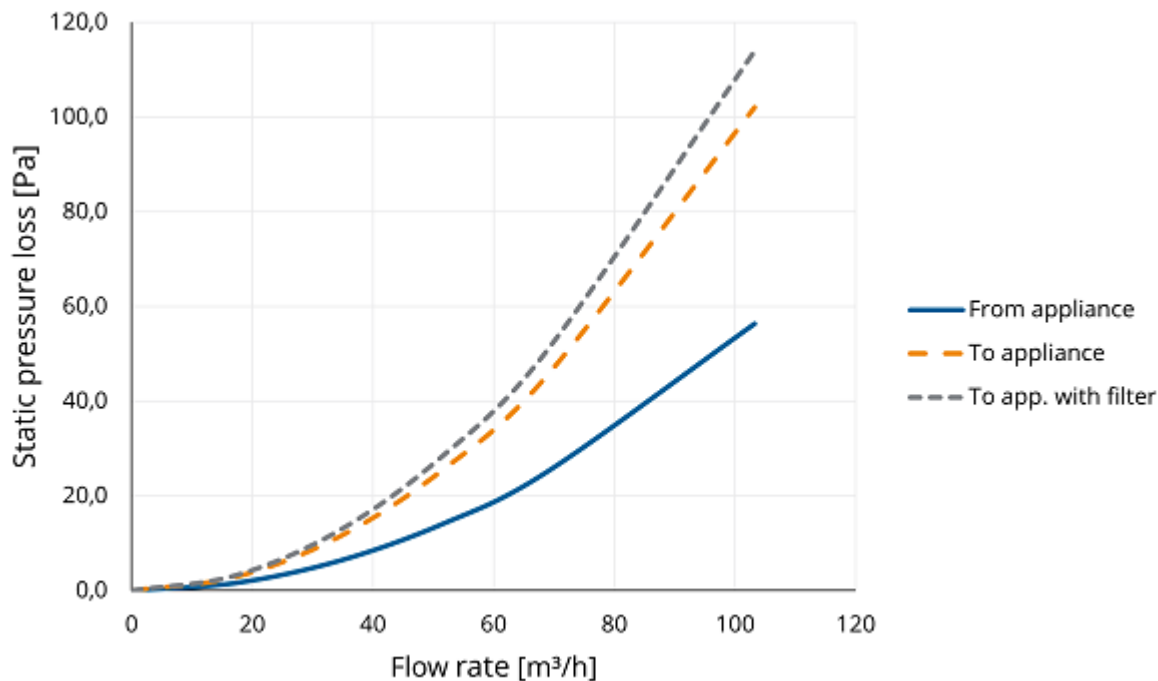
Intended use	Air
Supply / Extract	Supply/Extract
Temperature range (°C)	-25 / +80

Technical Specifications

Maximum air flow (m ³ /h)	50
ζ extract	4,72
ζ supply	2,61
Air Tightness Class	2
R-value (m ² K/W)	0
Fire rating	F
Other specifications	-

Designer valve square with valve connection 125 92 90° (400480616)

Pressure loss



Designer valve square with valve connection 125 92 90° (400480616)

Flow velocity pressure table

Flow rate			Static pressure loss		
[m/s]	[m³/h]	[l/s]	From appliance [Pa]	To appliance [Pa]	To app. with filter [Pa]
0	0	0	0,0	0,0	0,0
1	17	5	1,6	2,8	3,2
2	34	10	6,3	11,3	12,7
3	52	14	14,1	25,5	28,5
4	69	19	25,0	45,3	50,7
6	103	29	56,3	102,0	114,0