

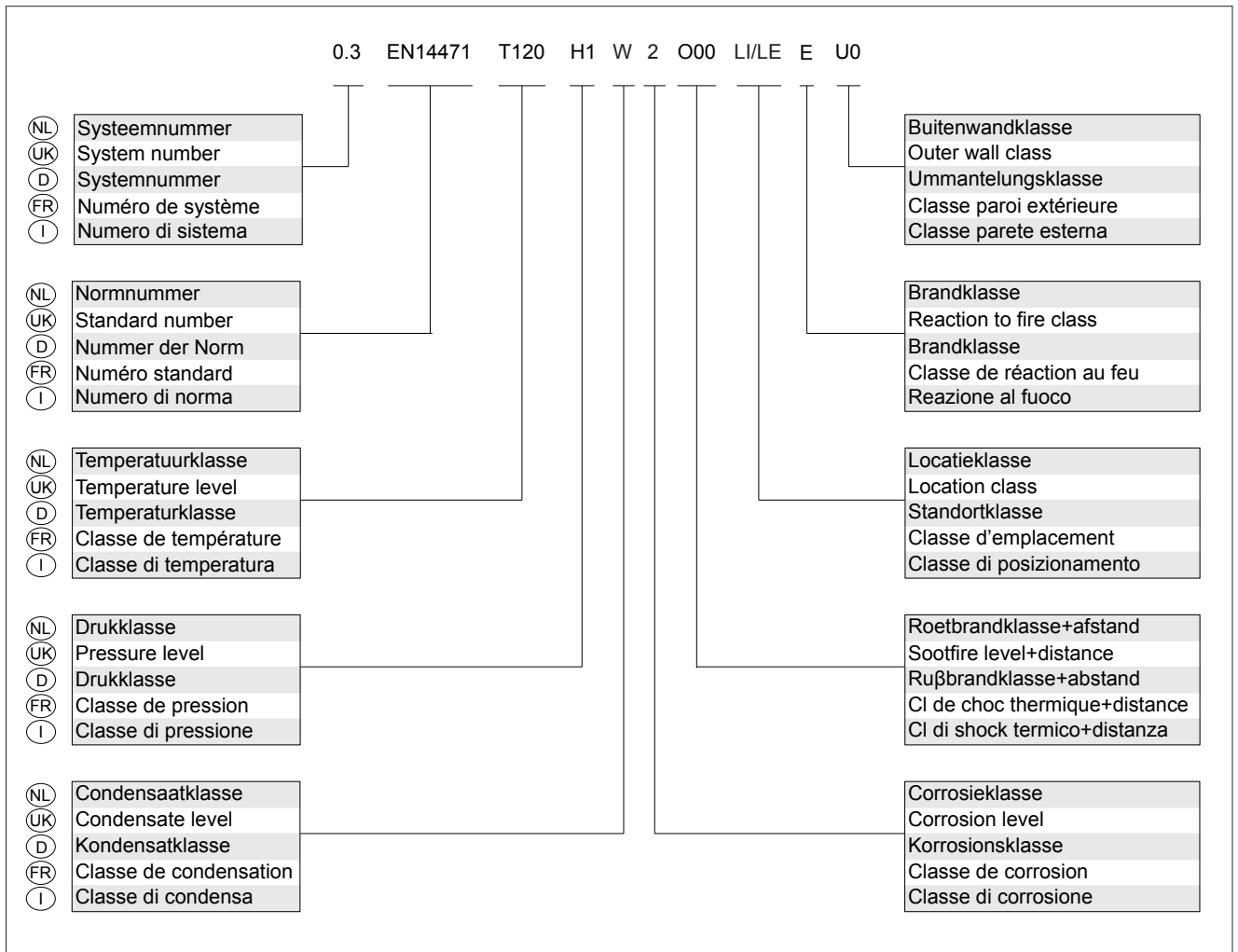
# SHAFT CONNECTION WITH FIRE COLLAR

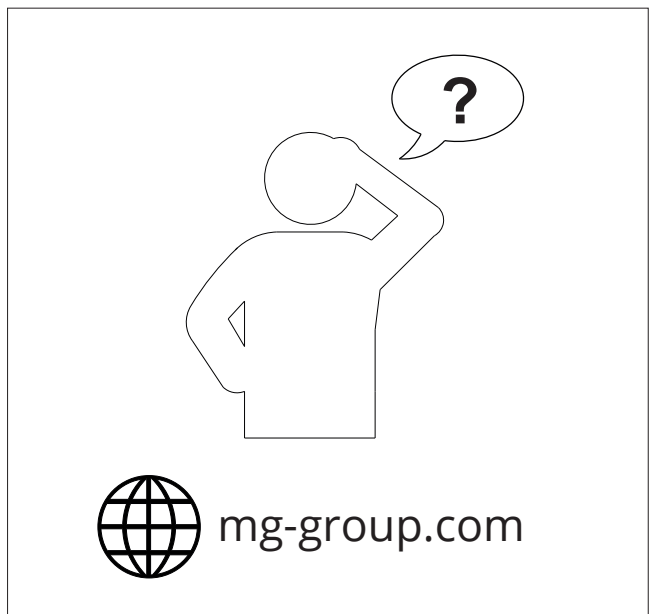
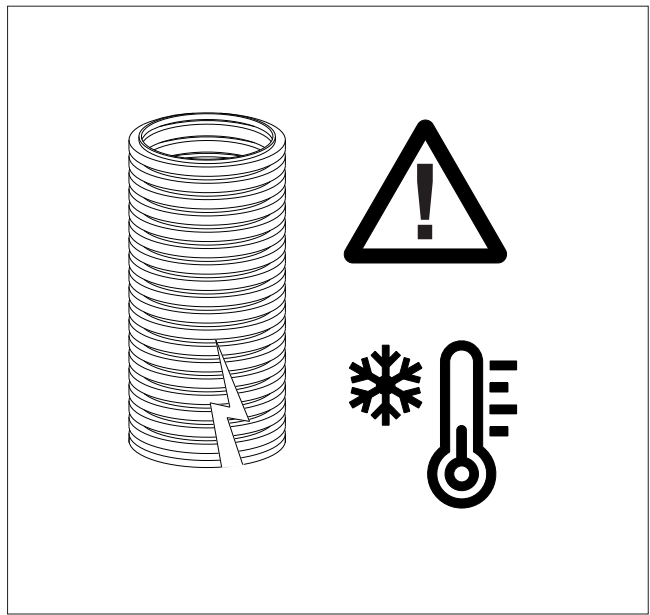
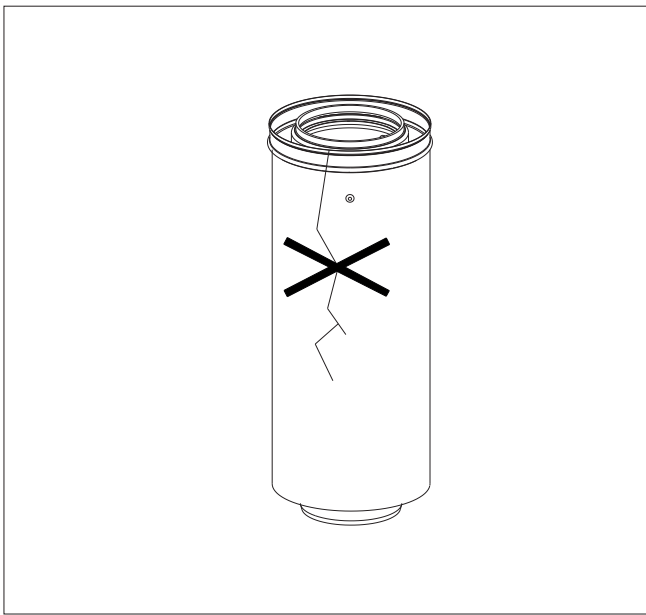
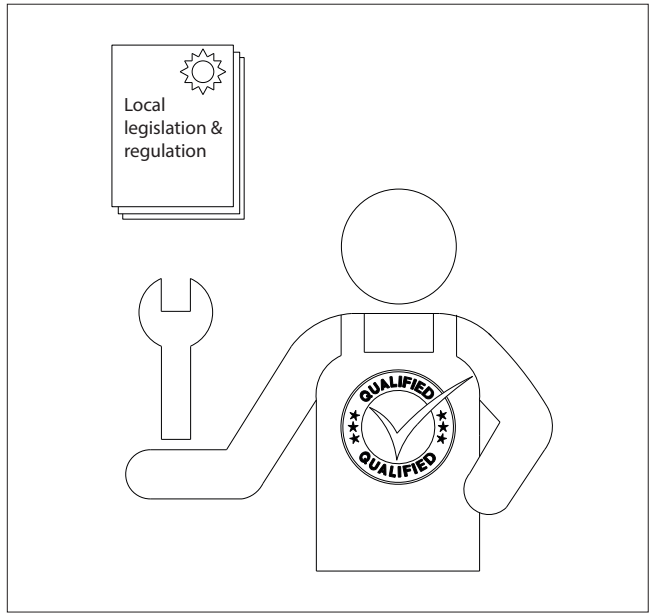
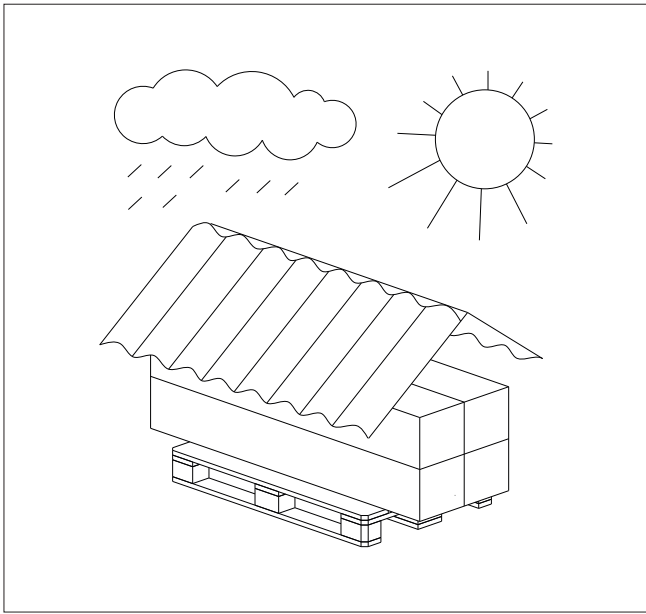
INSTALLATION INSTRUCTION

MAKING  
SYSTEMS  
WORK

  
M&G Group®

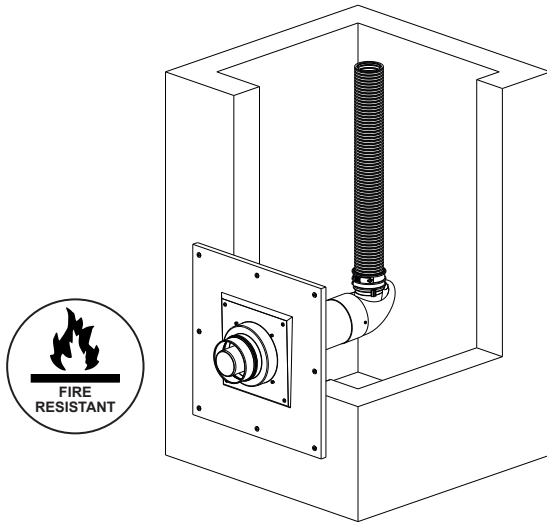
# SYSTEM SPECIFICATIONS



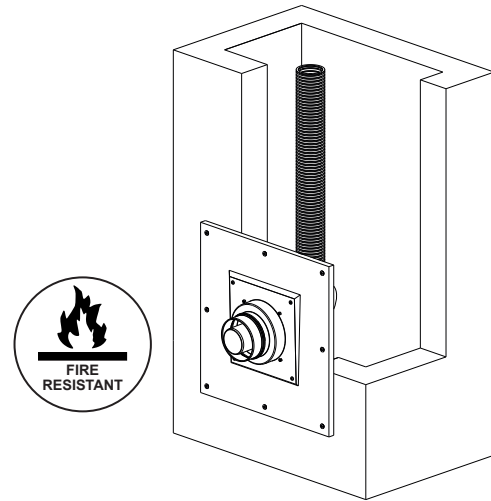


# A/B/C/D/E

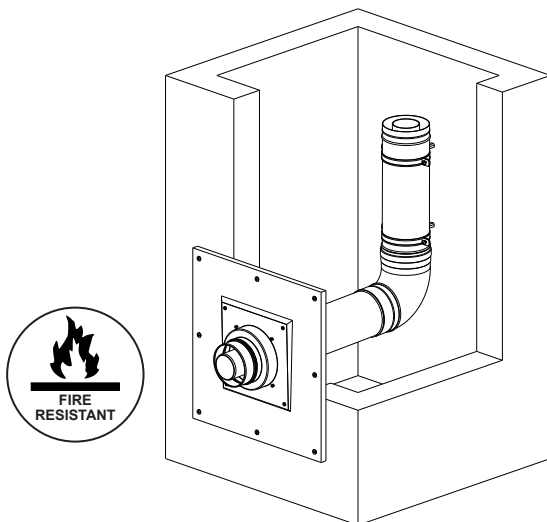
**A MiniFlex 60/100**



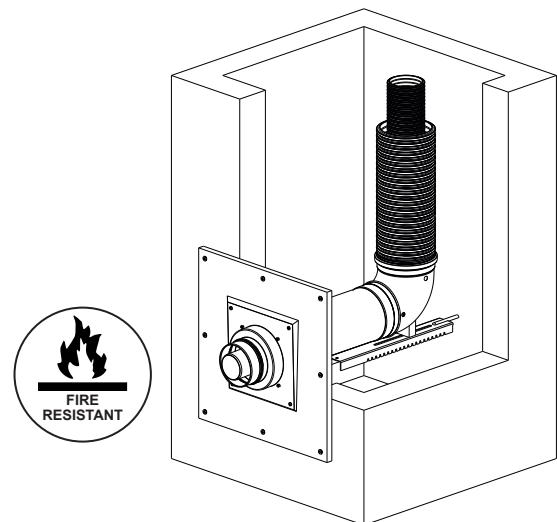
**B Flexline 80/125**



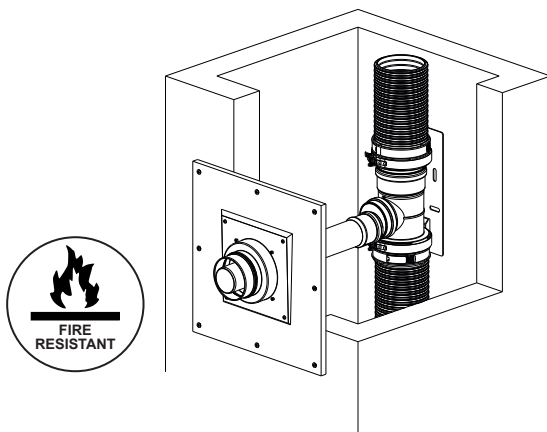
**C TwinSafe 60/100 + 80/125**



**D TwinFlex 80/125**



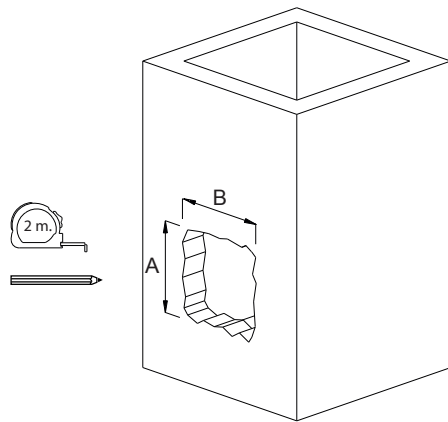
**E Multiflex 60/100 + 80/125**





# A/B/C/D/E

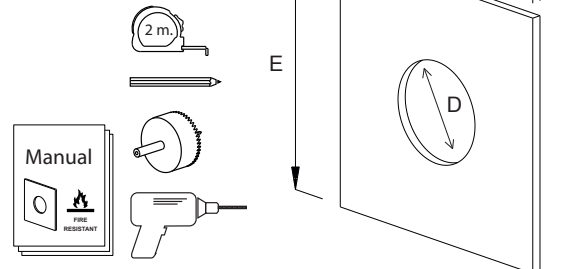
1



EI = 60 min:  $A_{max} = 300\text{mm} \times B_{max} = 300\text{mm}$   
 EI = 30 min:  $A_{max} = 500\text{mm} \times B_{max} = 600\text{mm}$

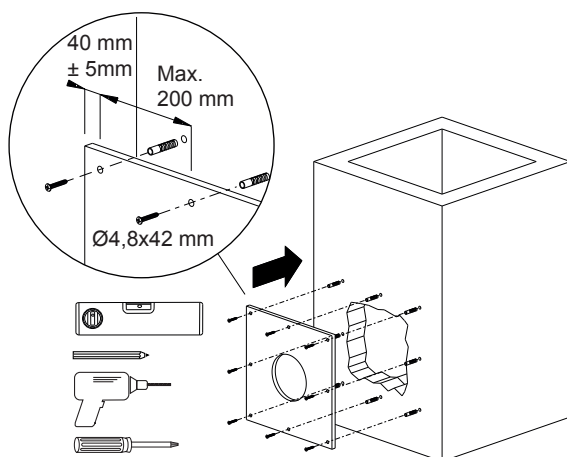
Promat 100 d=15mm

60/100: D = 145-165  
 80/128: D = 170-190

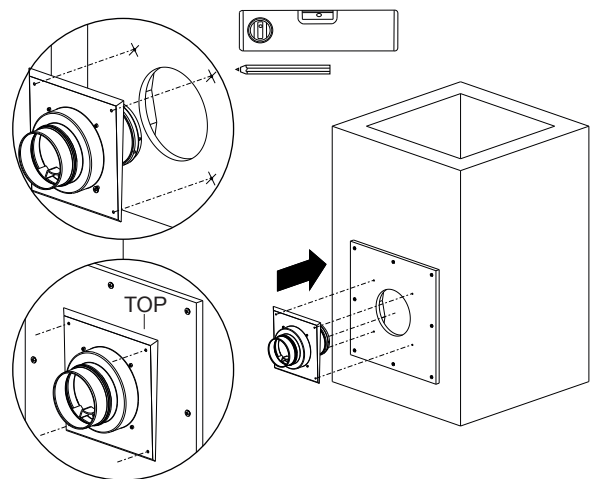


$E_{min} = A + 160\text{ mm}$   
 $F_{min} = B + 160\text{ mm}$

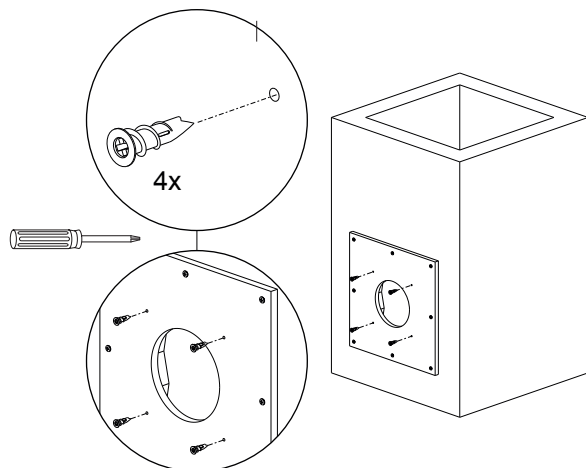
2



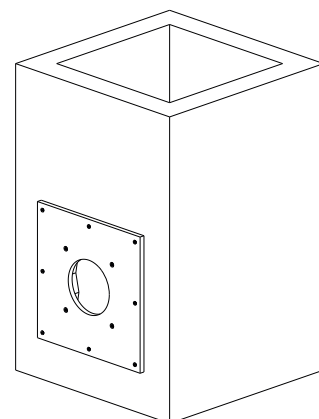
3

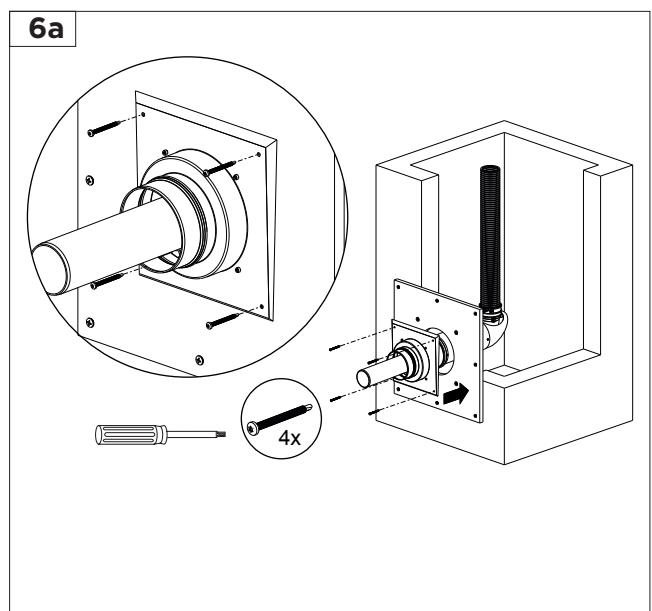
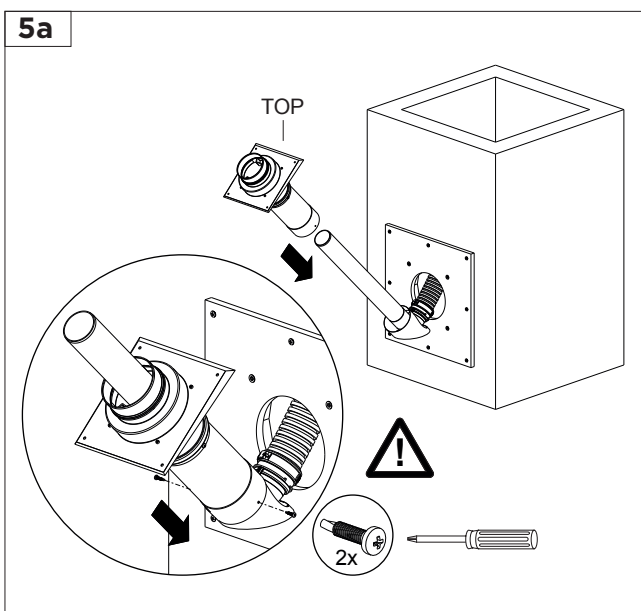
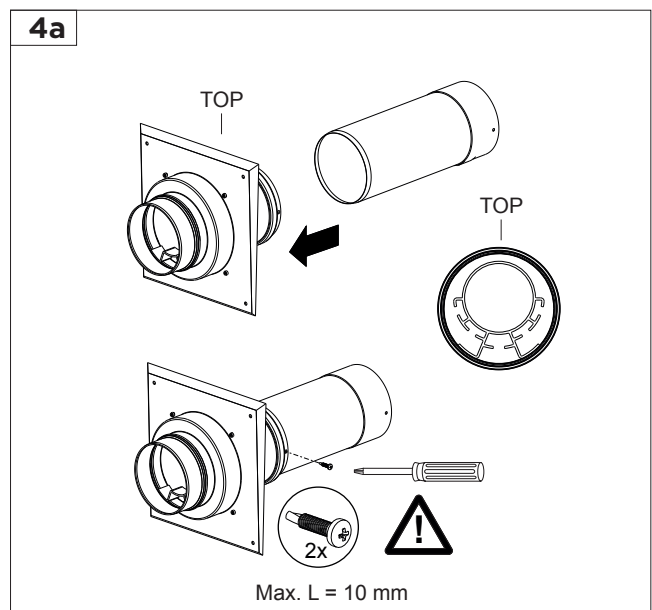
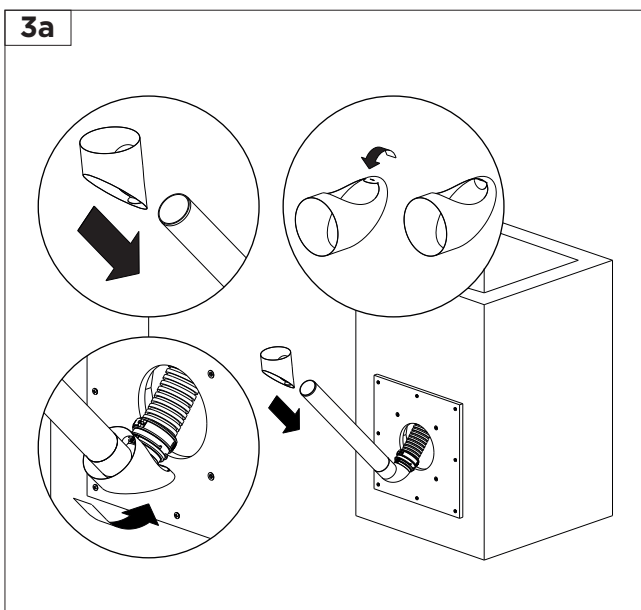
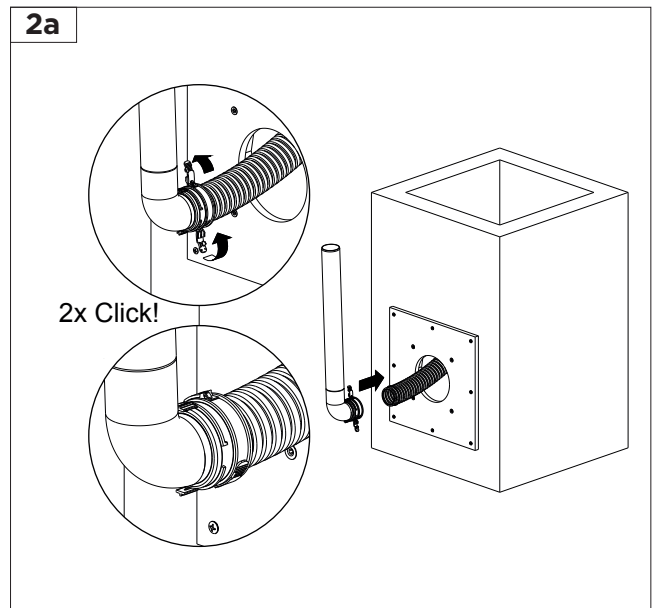
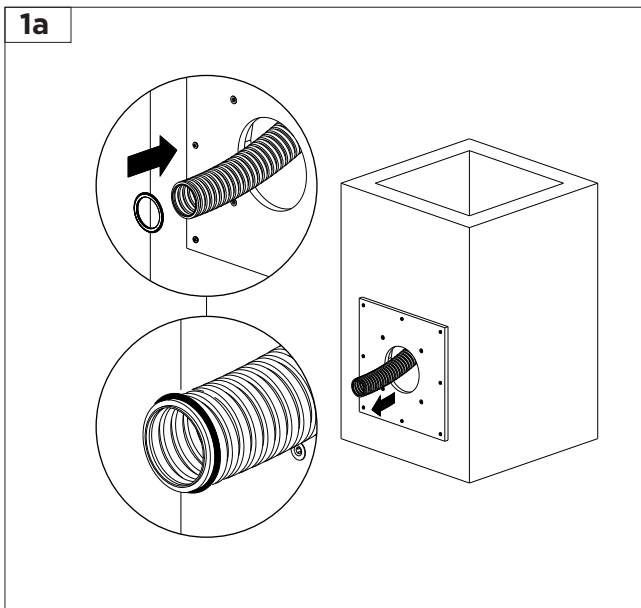


4

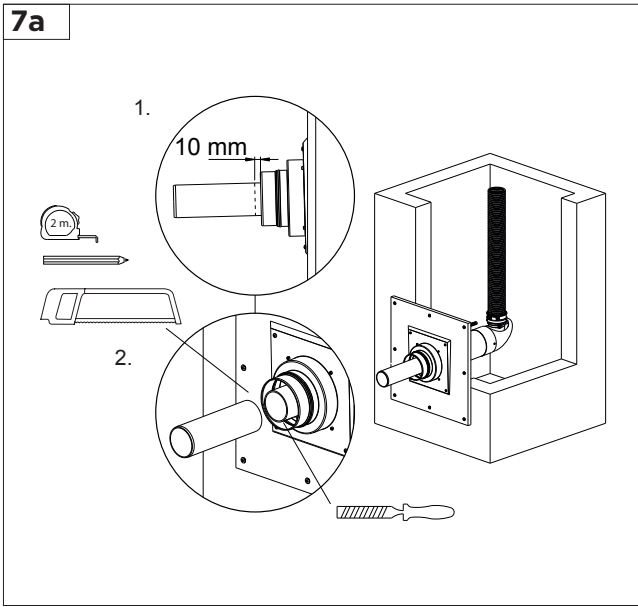


5

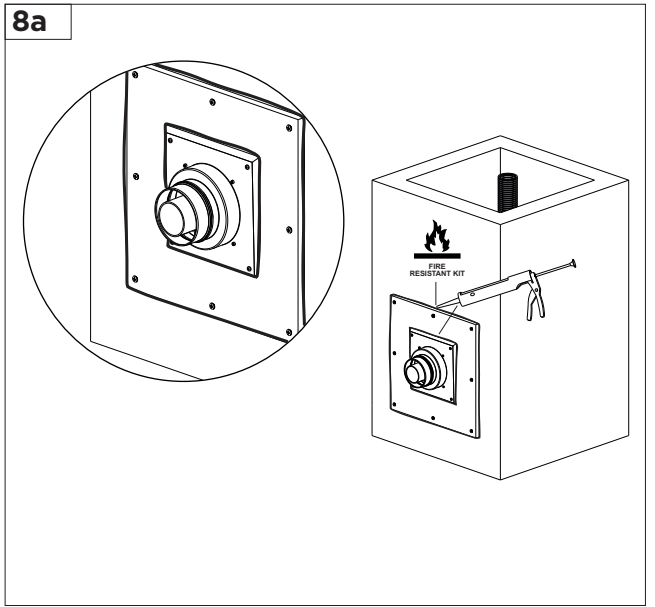




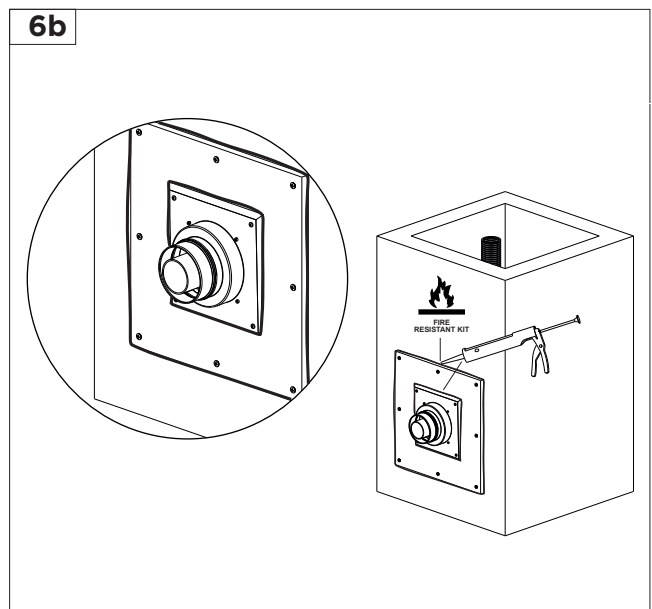
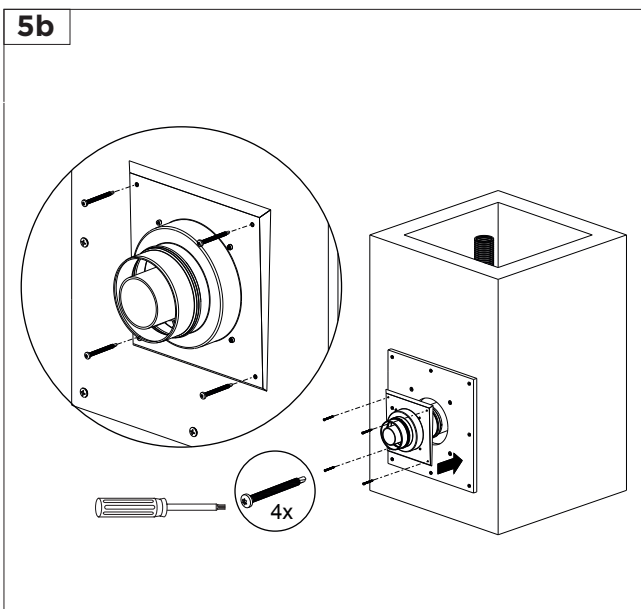
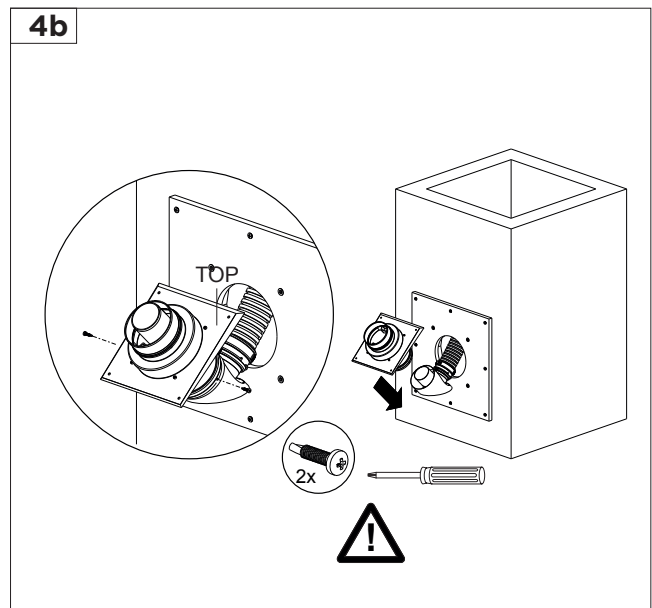
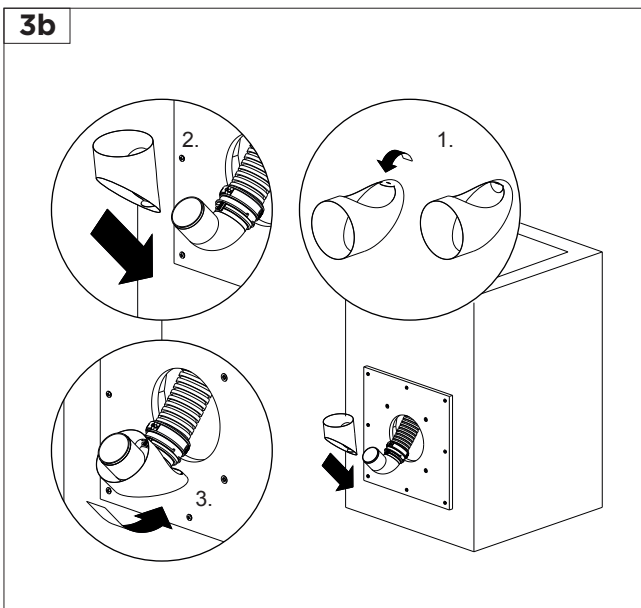
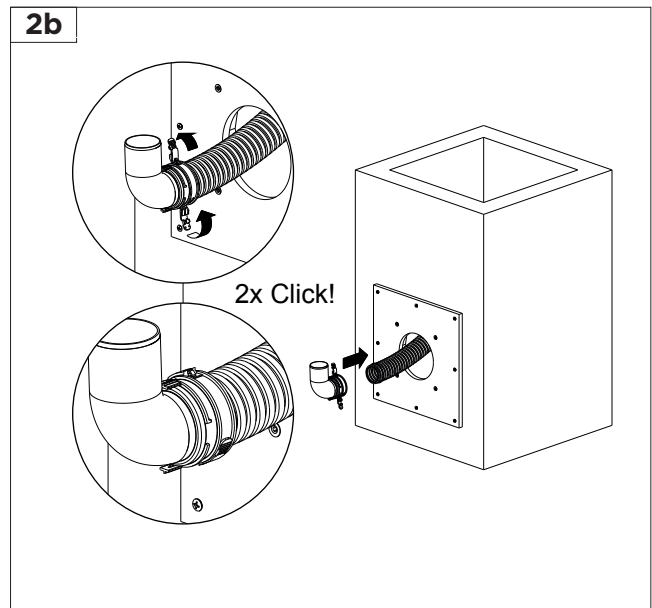
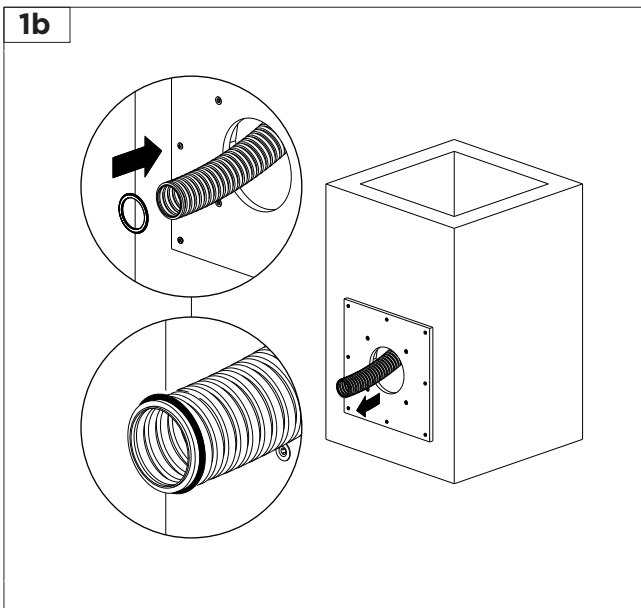
7a

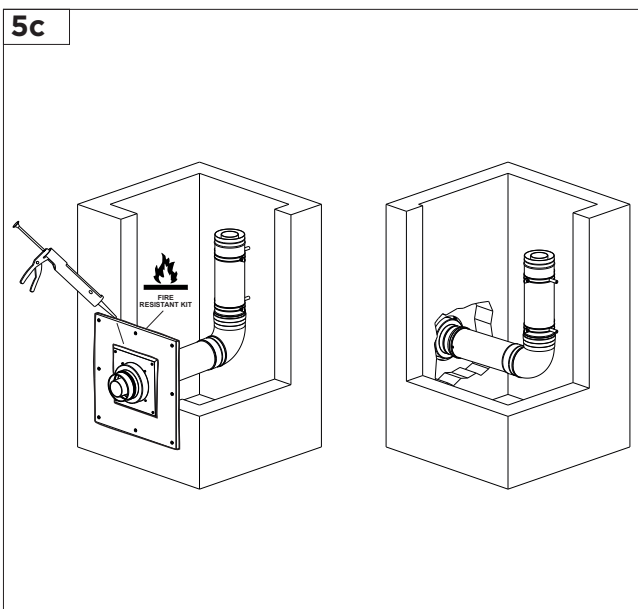
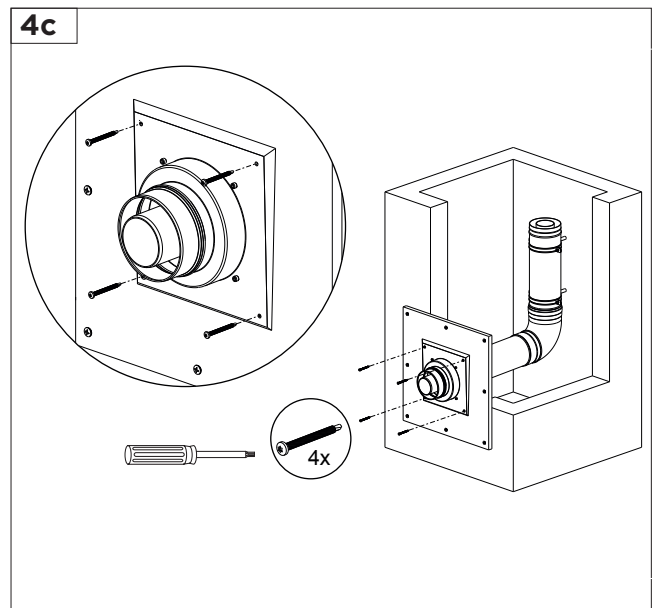
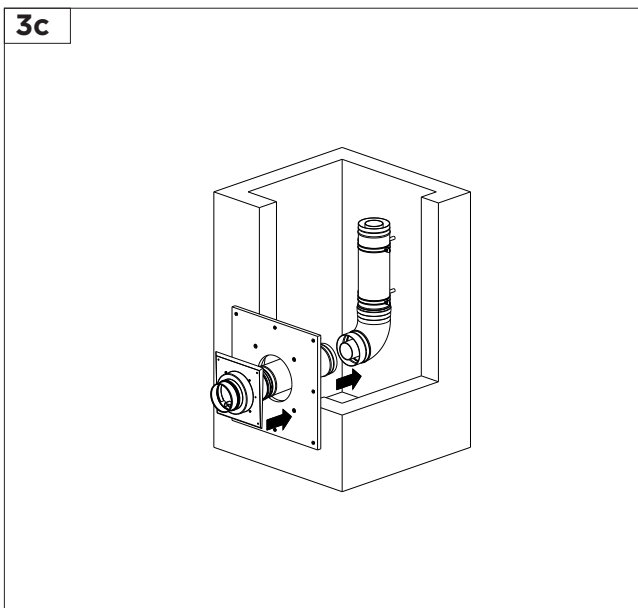
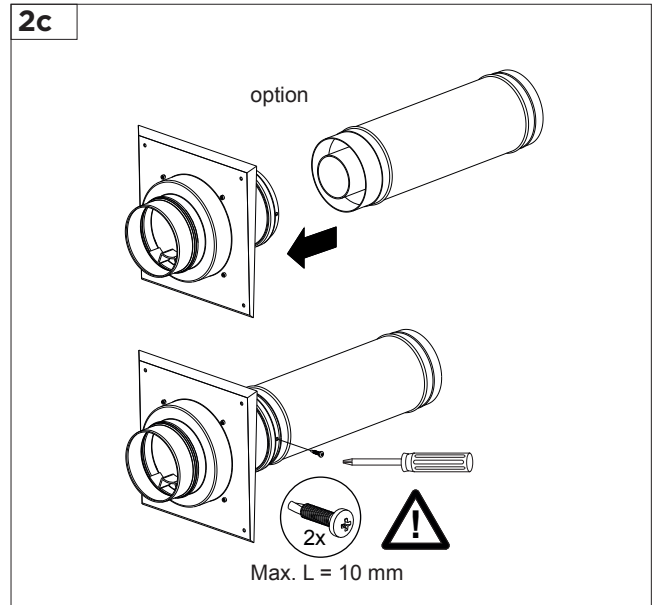
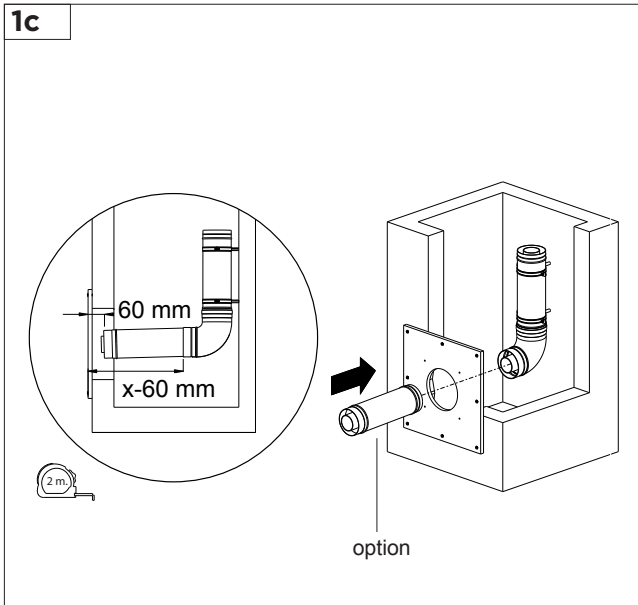


8a

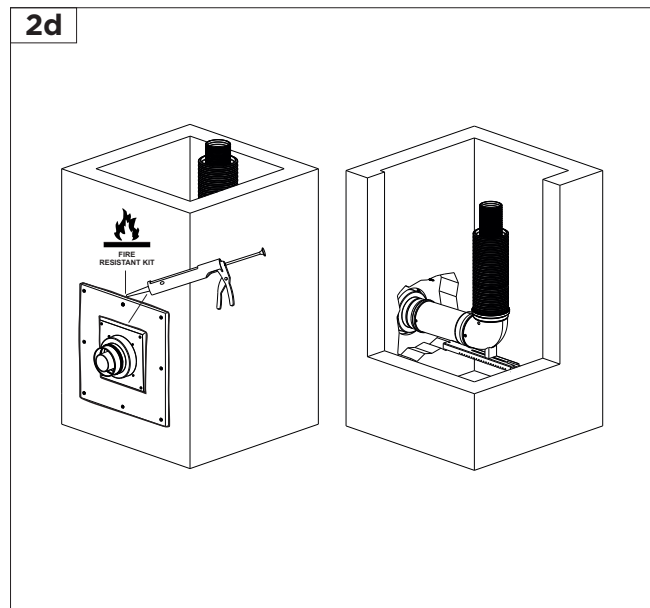
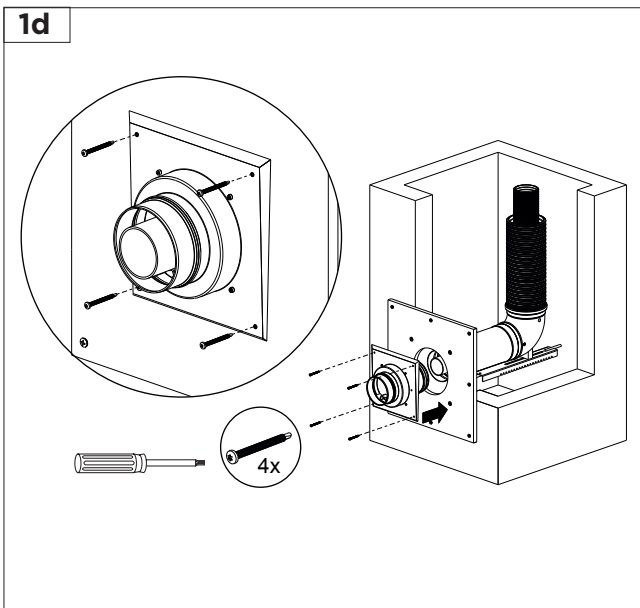




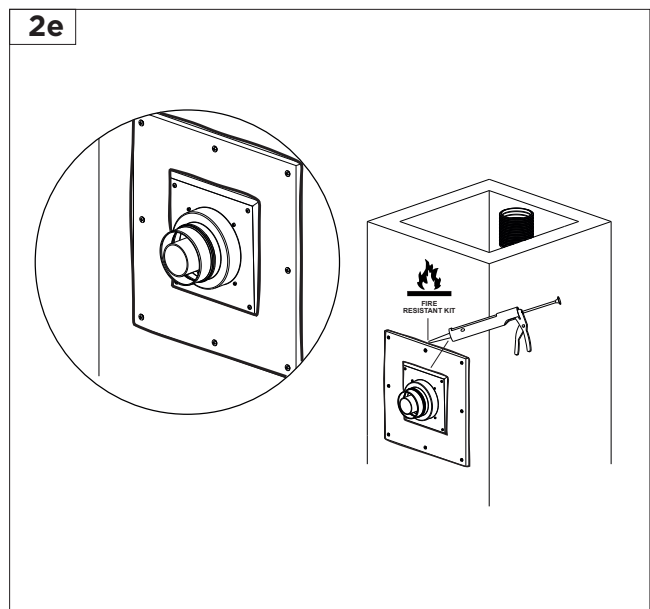
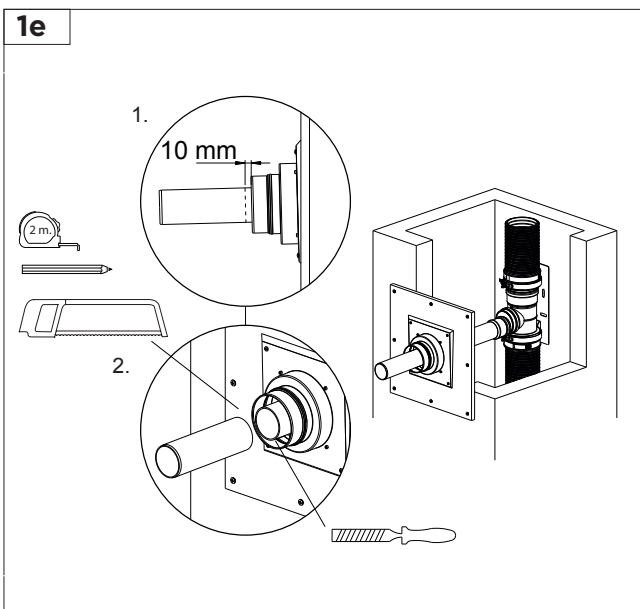




# D



# E





MAKING CLIMATE SYSTEMS WORK TOGETHER