

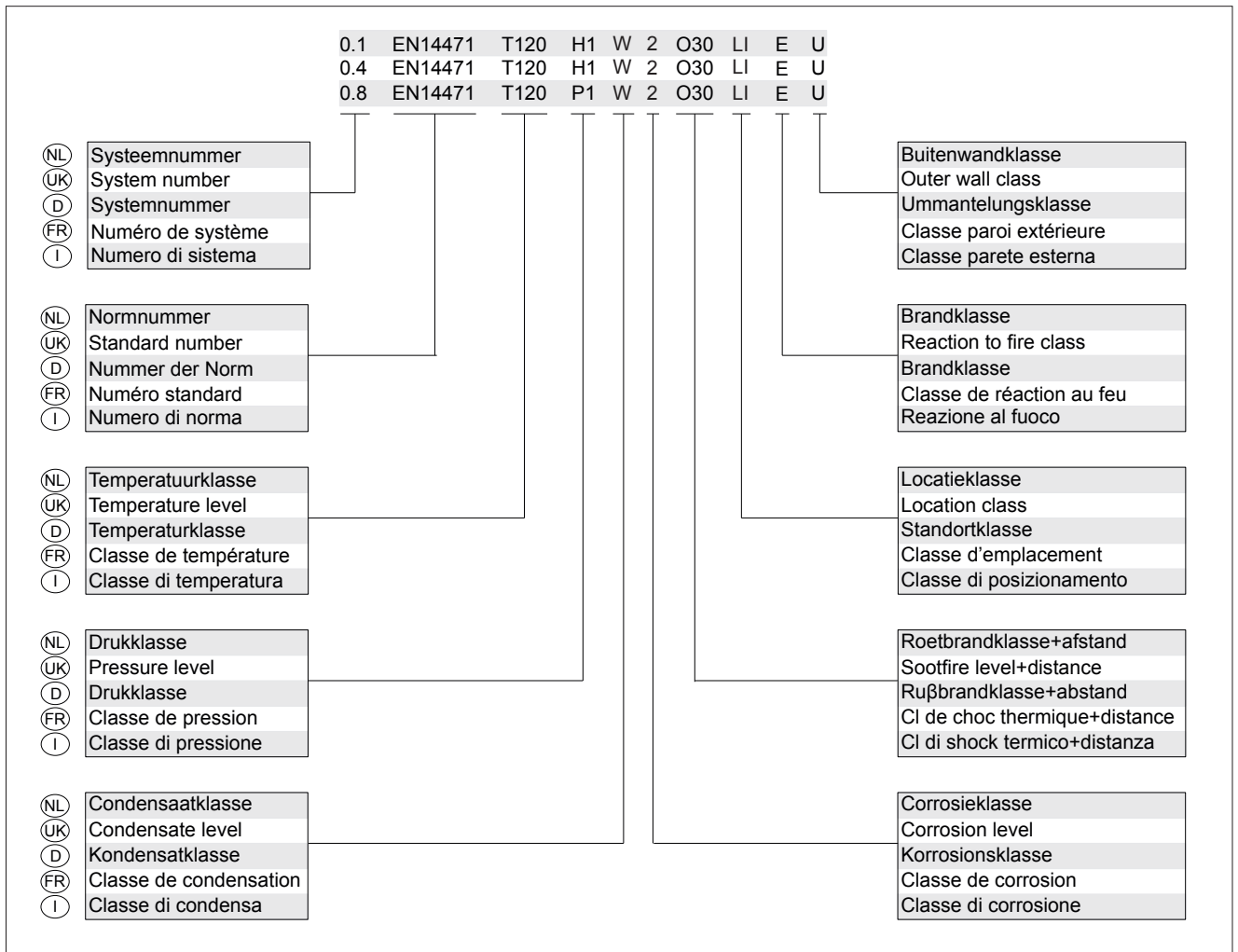
CHIMNEY SOLUTION FLEX & RIGID

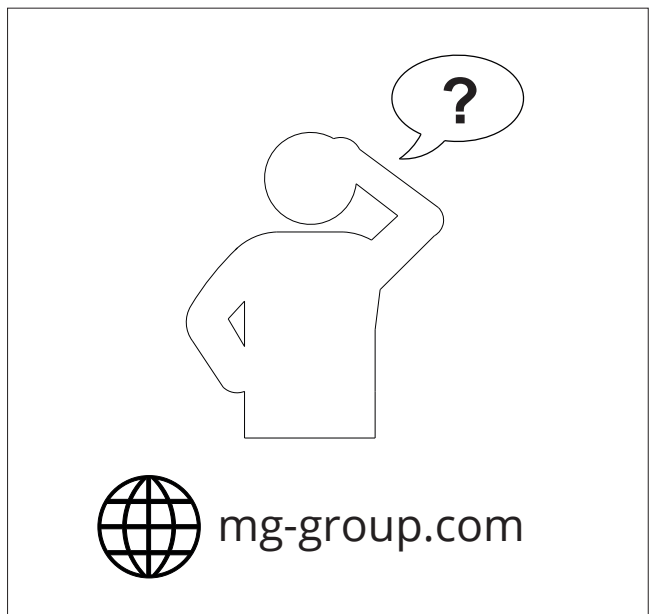
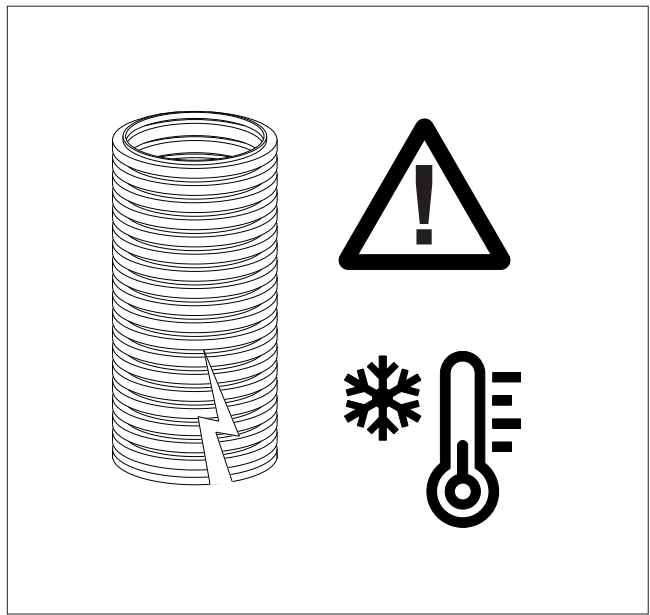
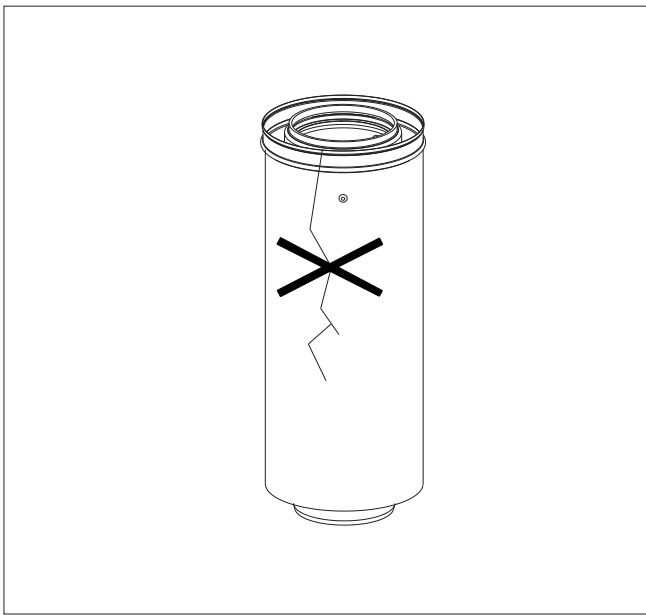
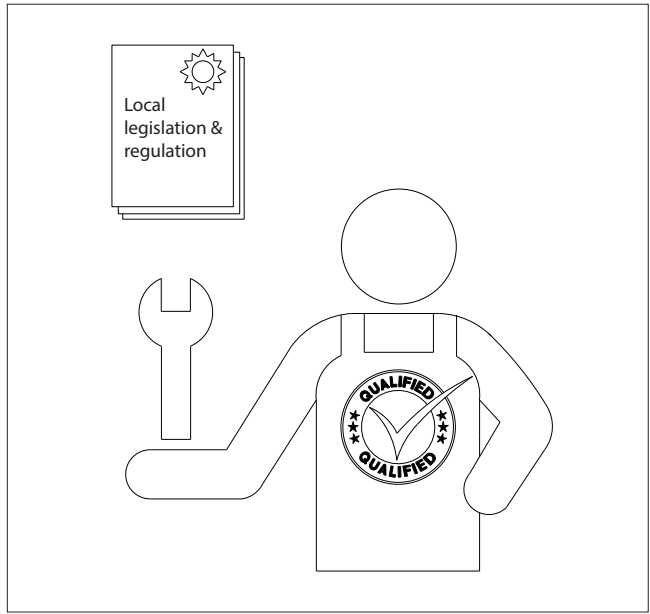
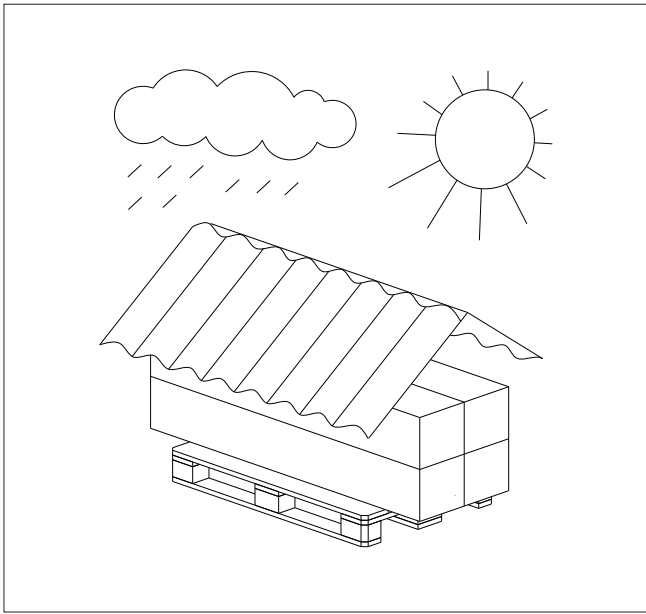
INSTALLATION INSTRUCTION

MAKING
SYSTEMS
WORK

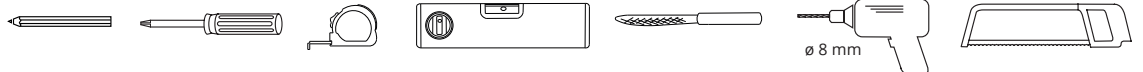
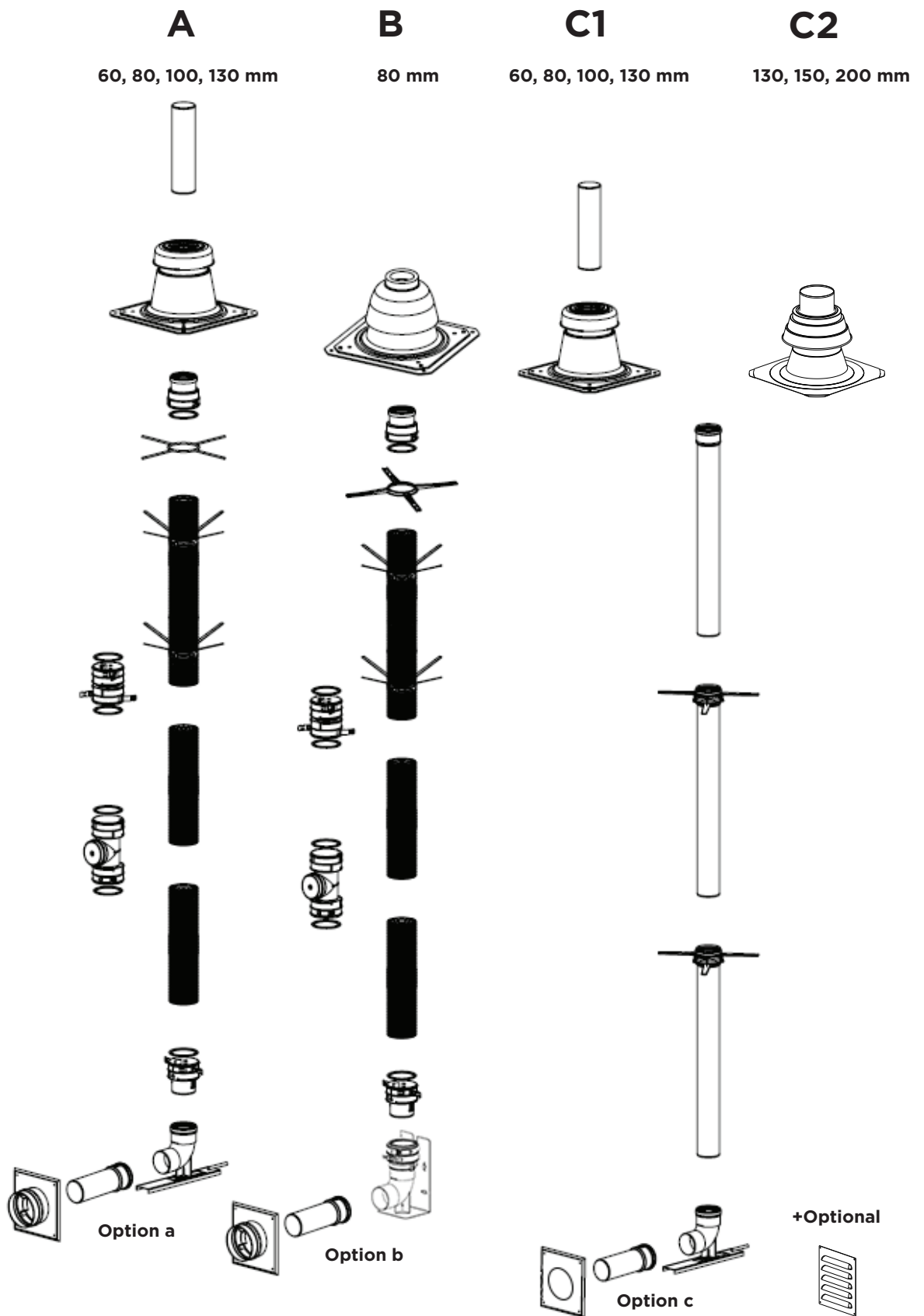

M&G Group®

SYSTEM SPECIFICATIONS



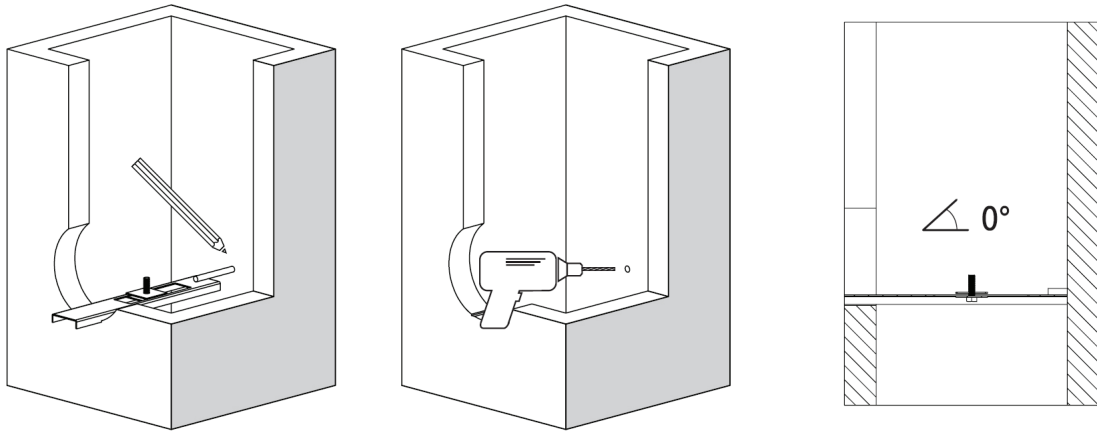


A/B/C1/C2



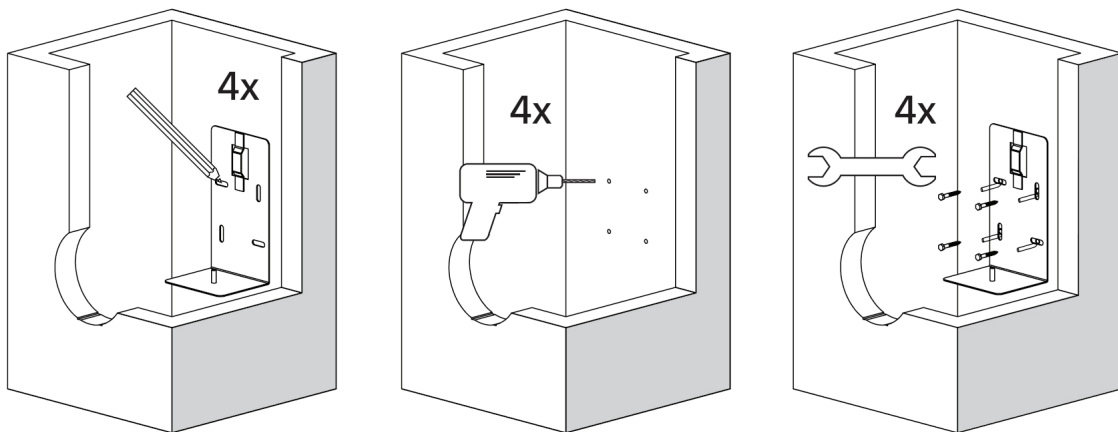
1a

A/B/C + option ac

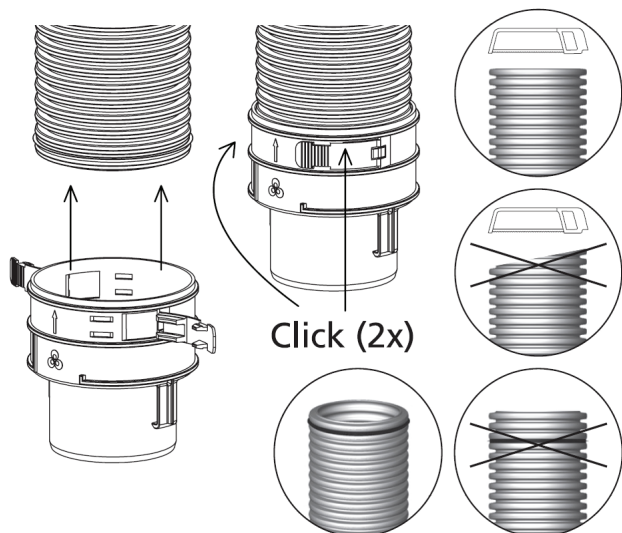


1b

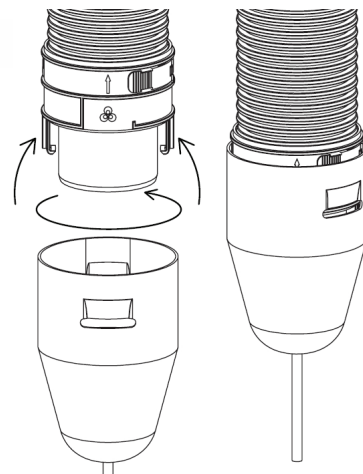
A/B + option b

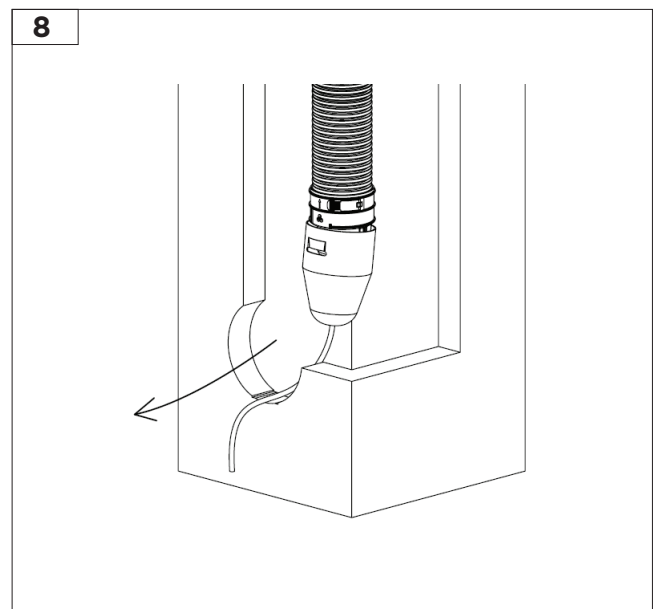
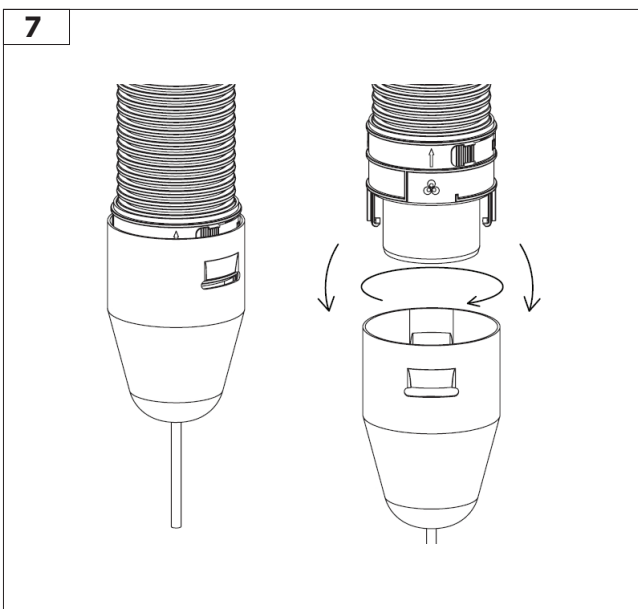
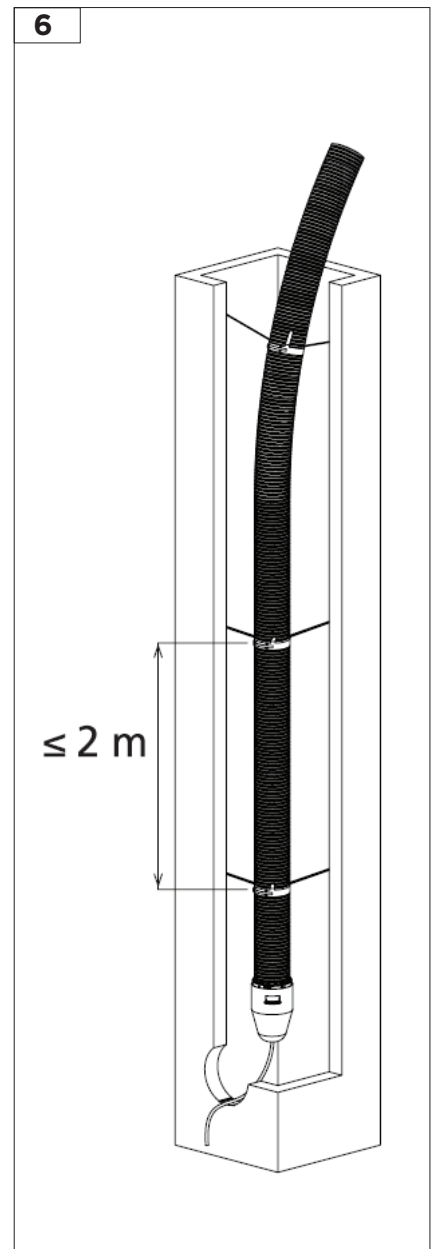
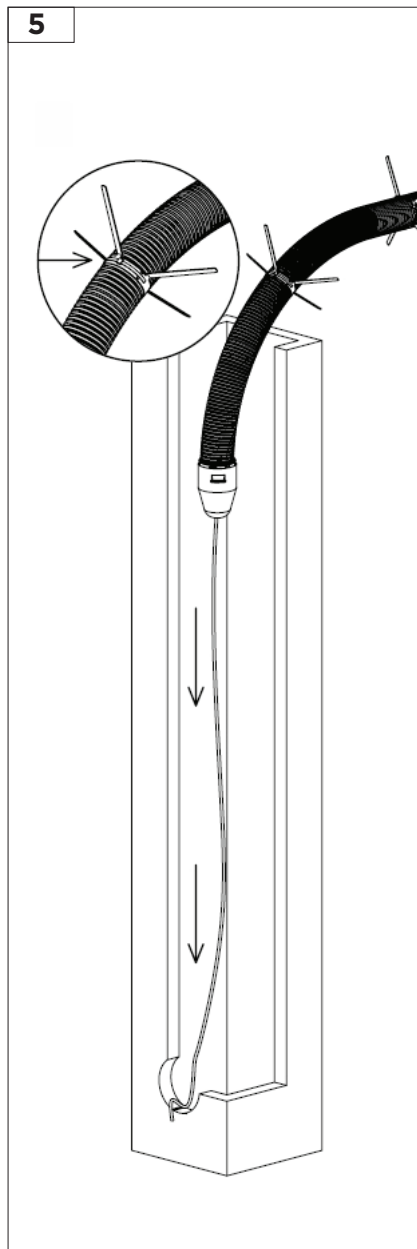
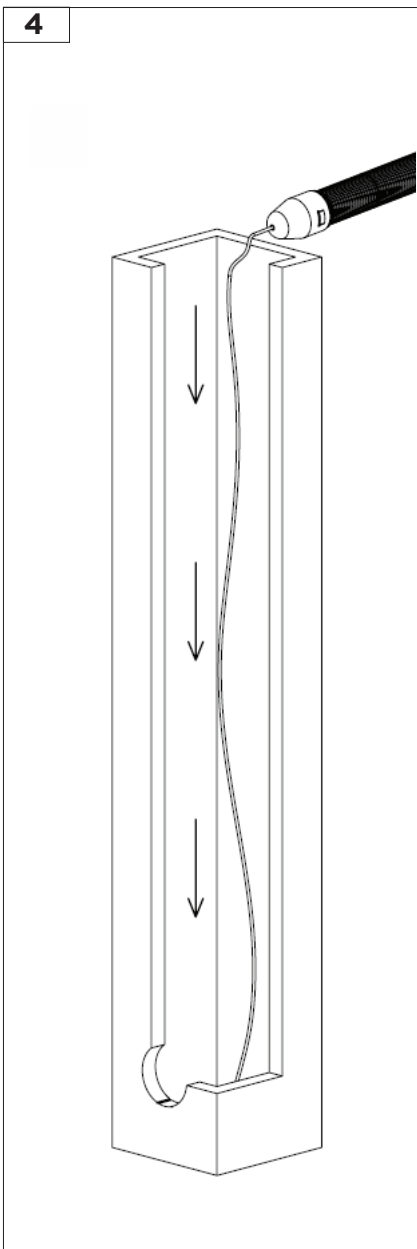


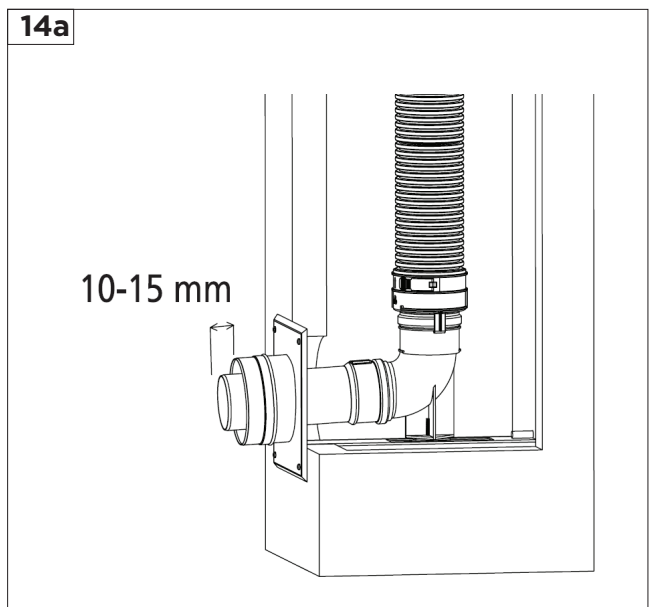
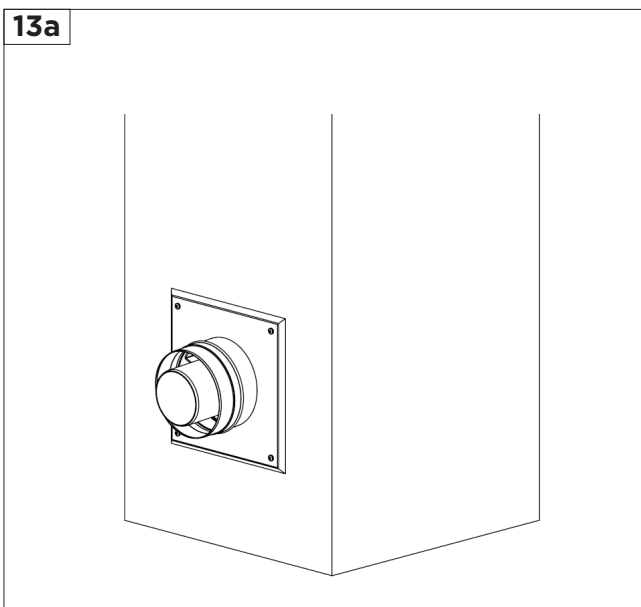
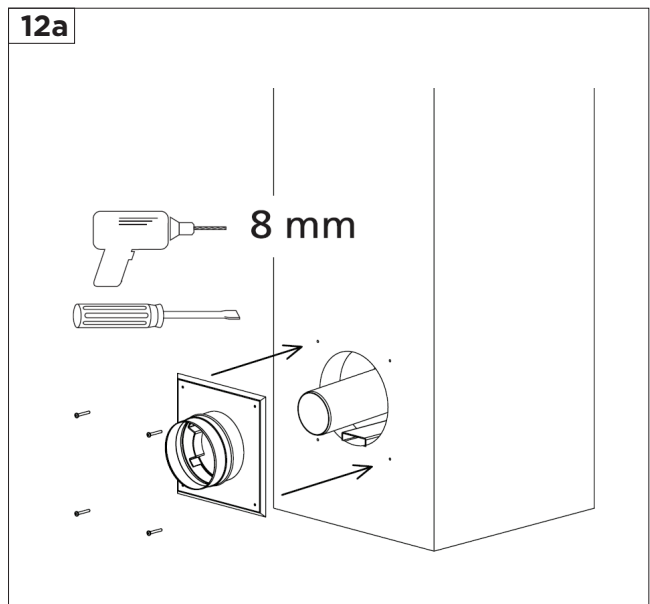
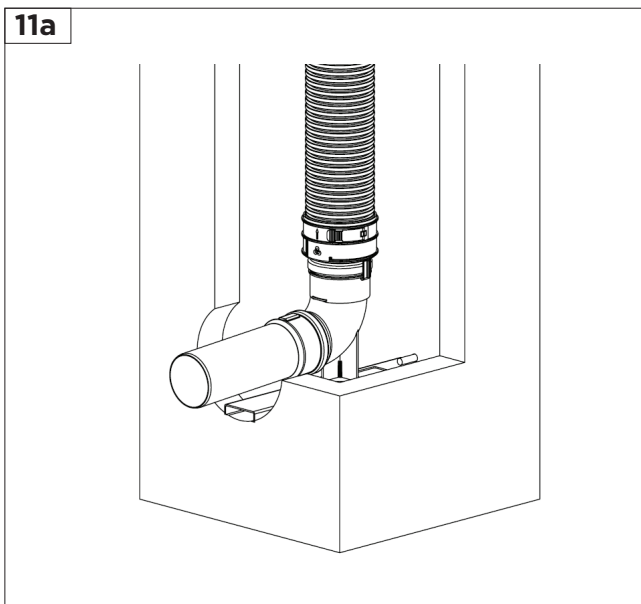
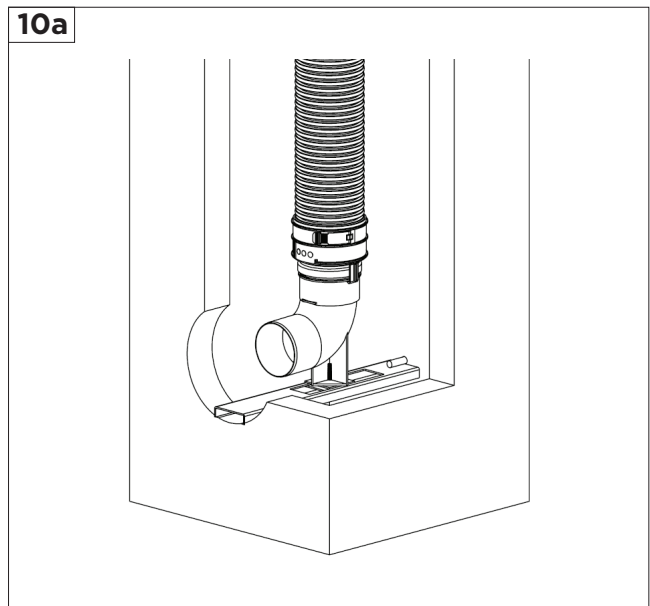
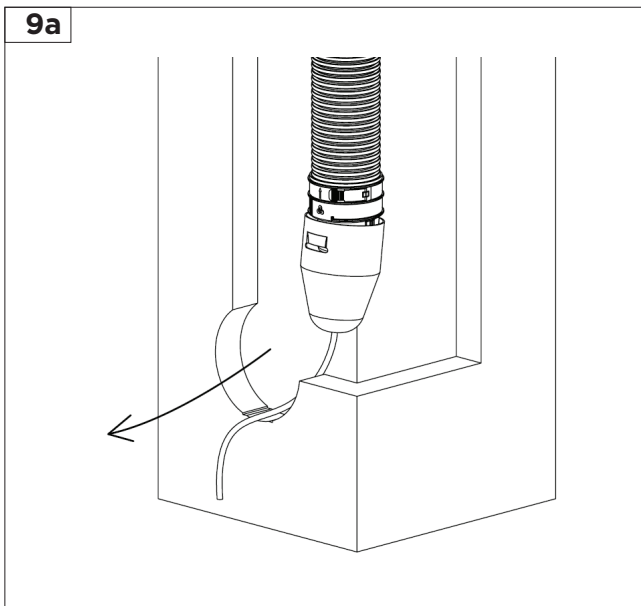
2



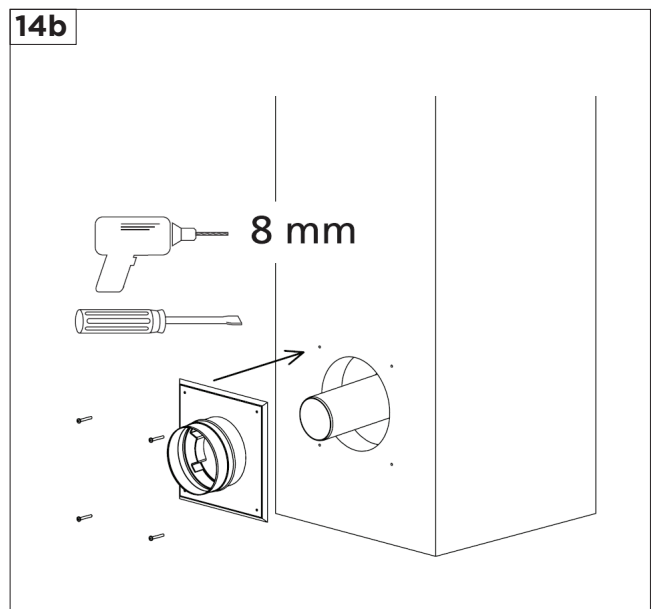
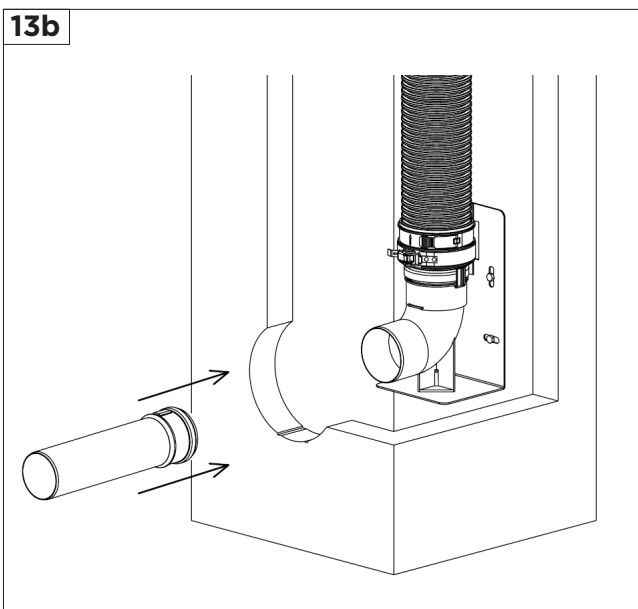
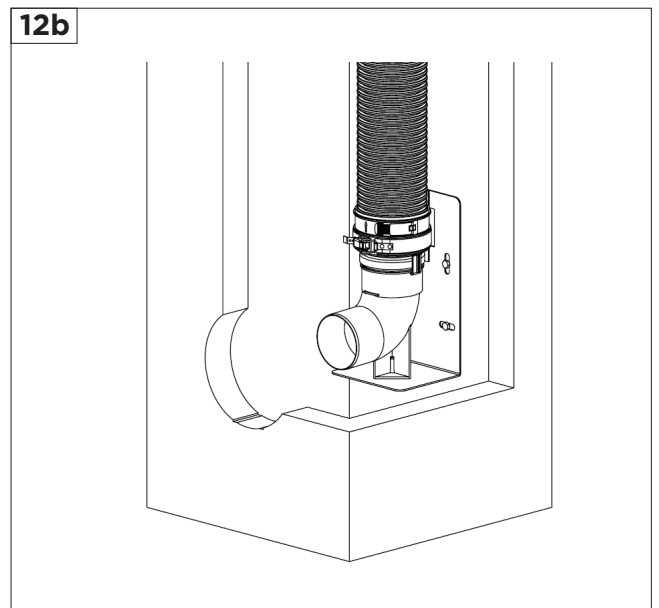
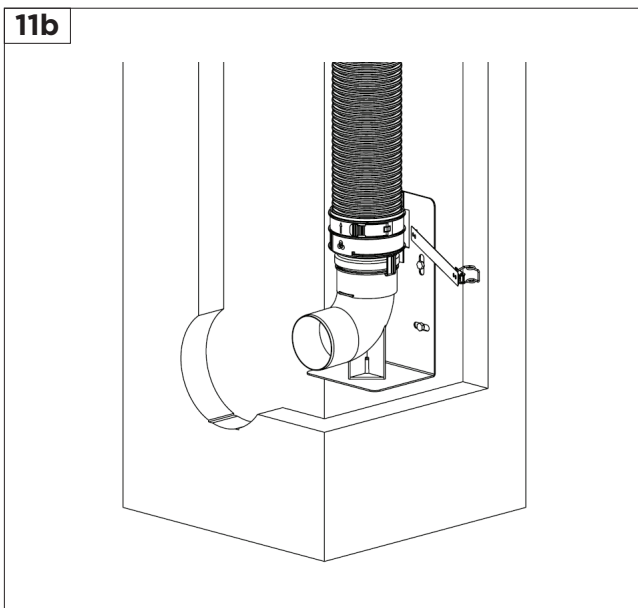
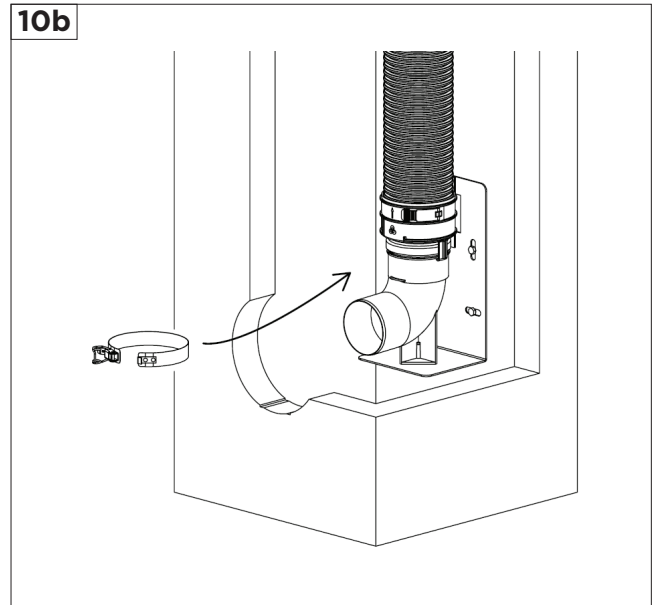
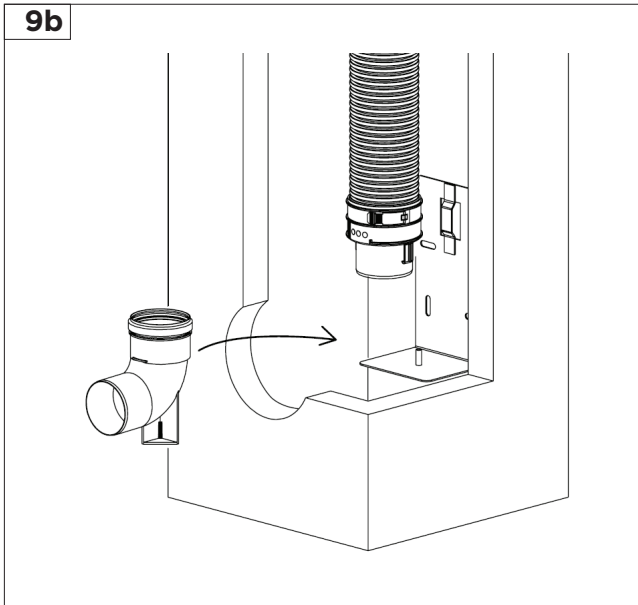
3







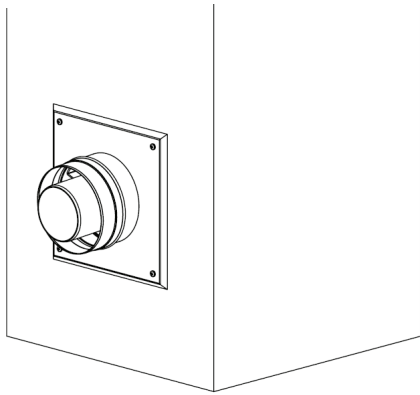
A/B + option b





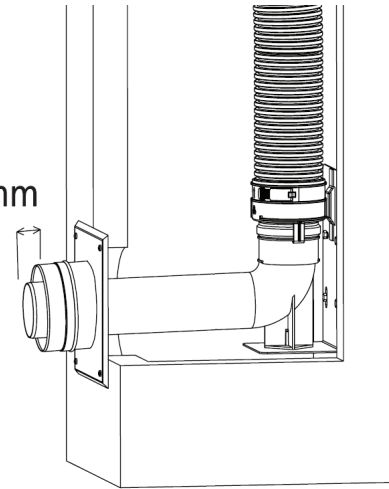
A/B + option b

15b

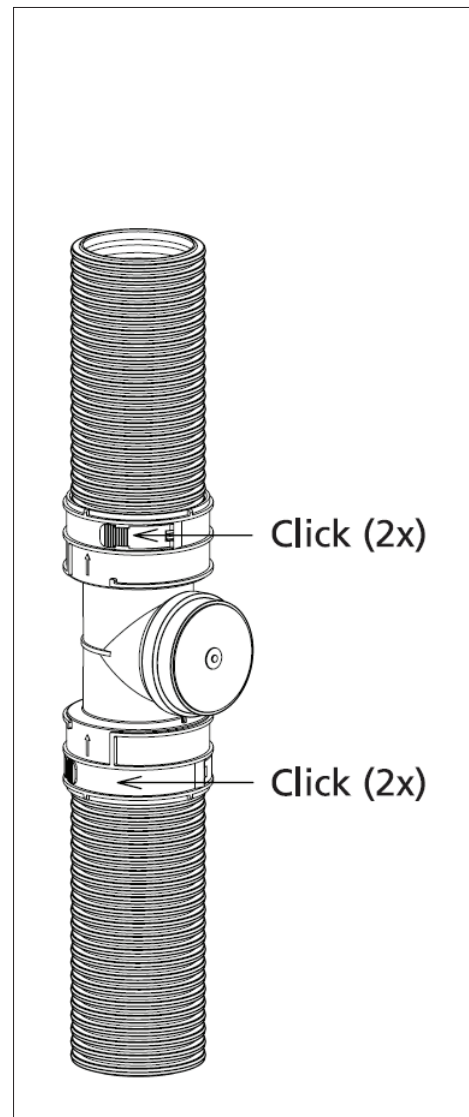
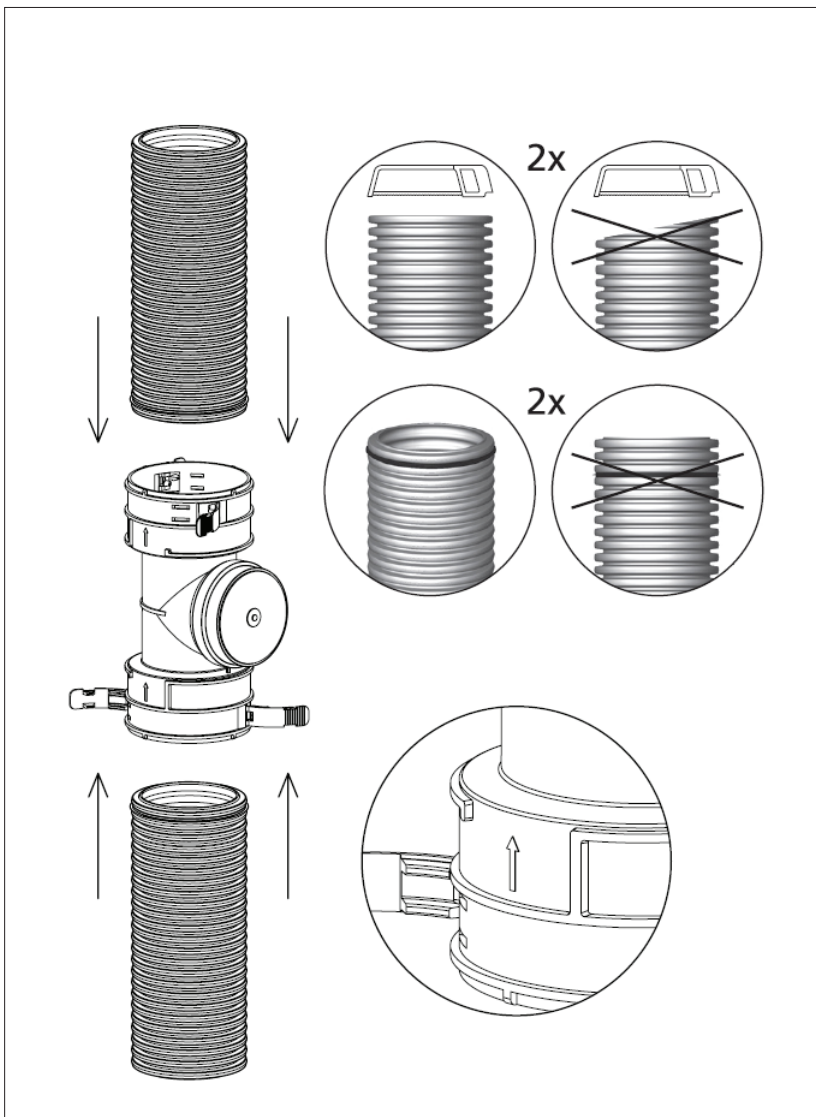


16b

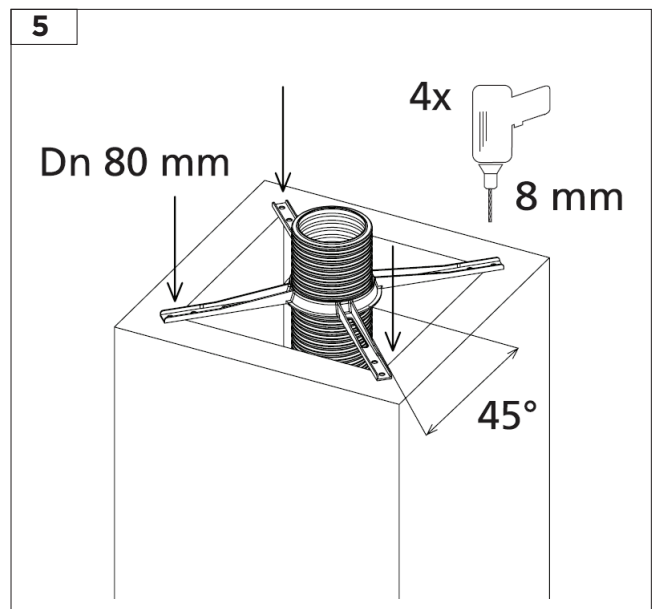
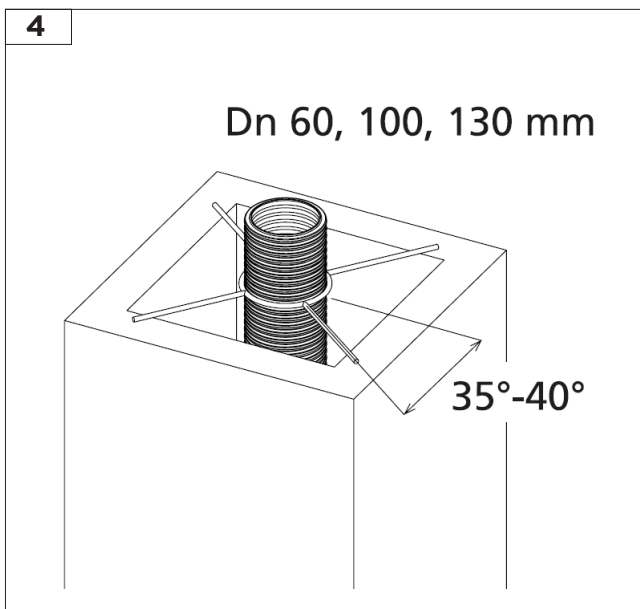
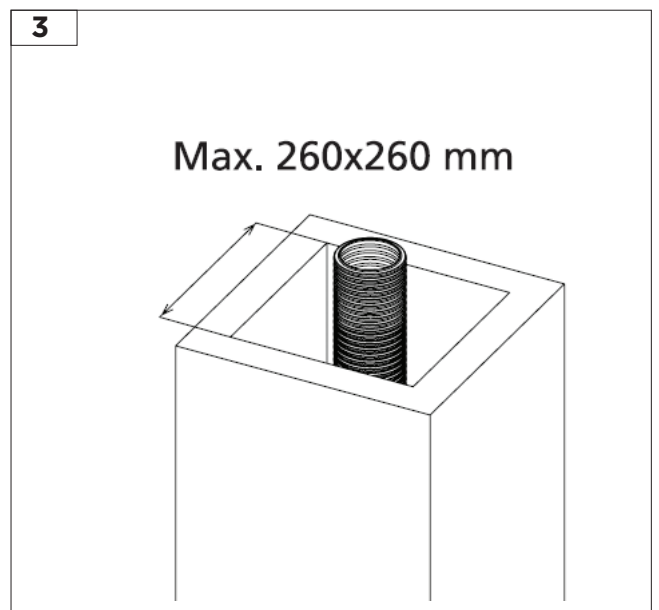
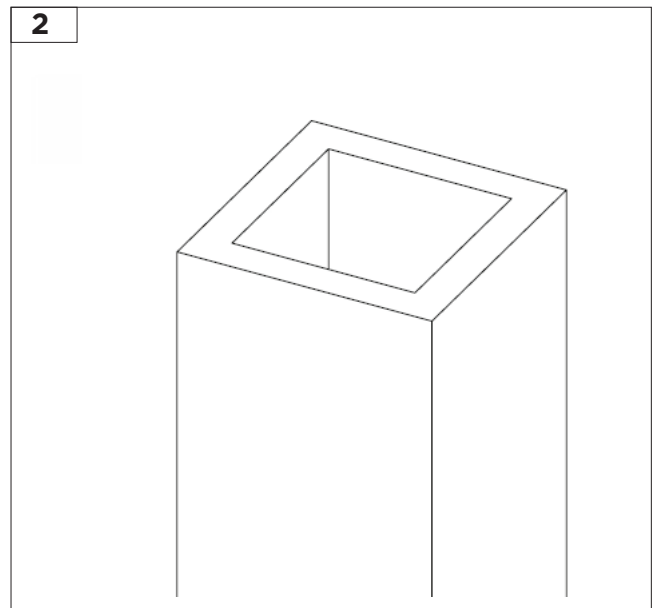
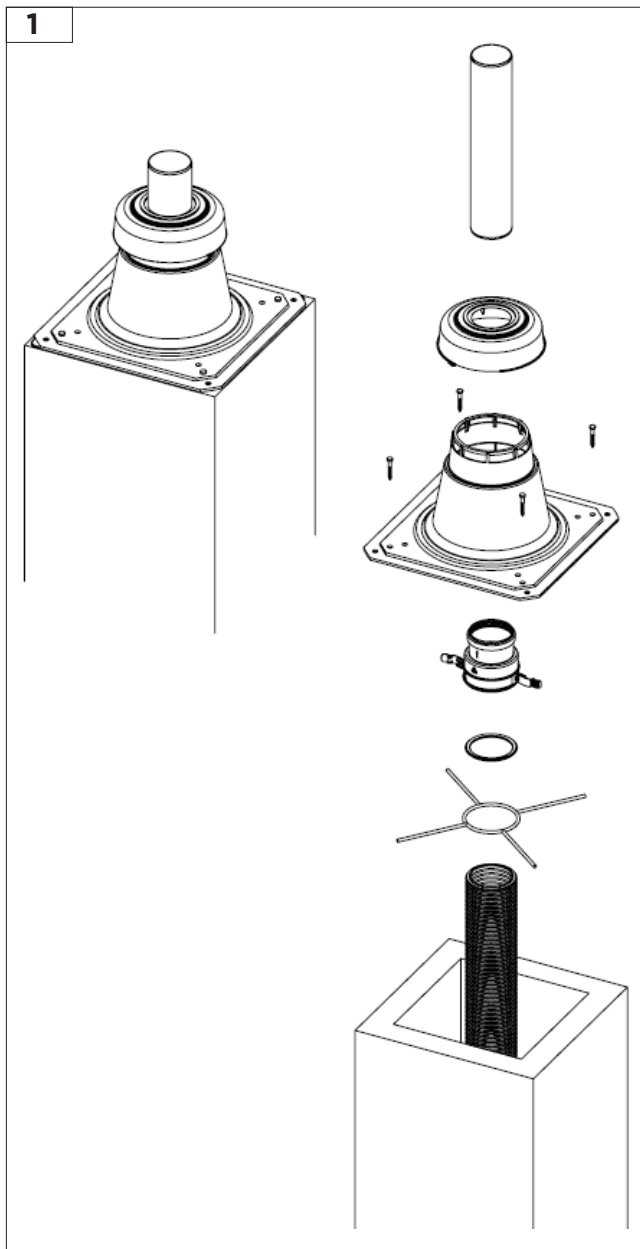
10-15 mm

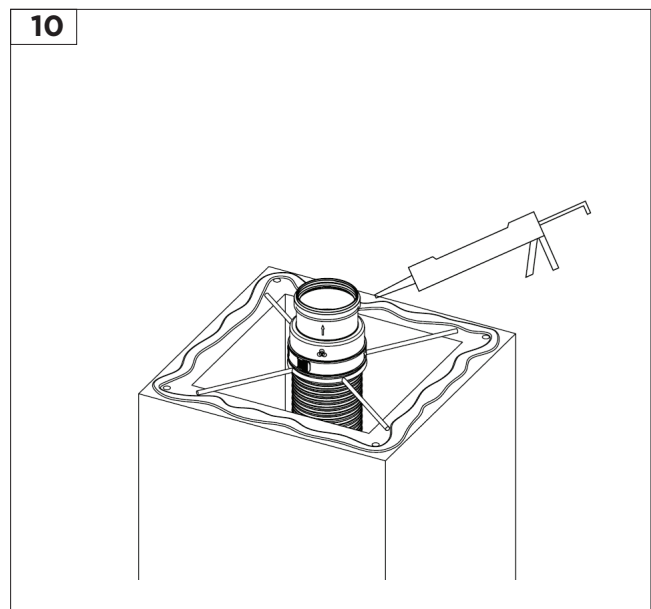
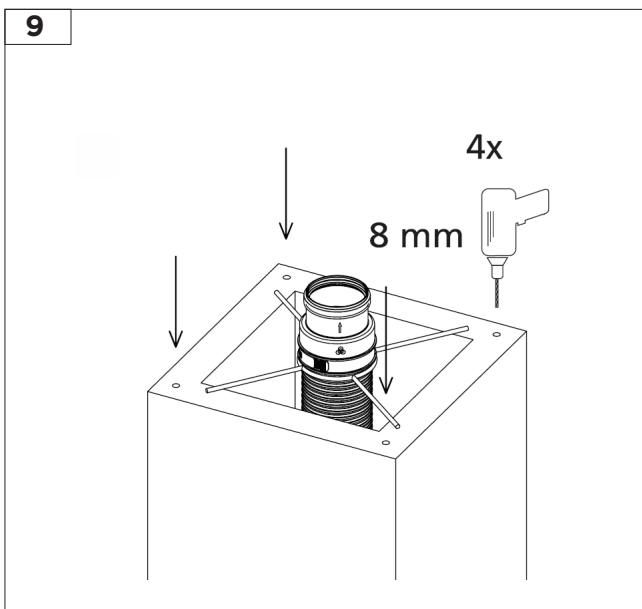
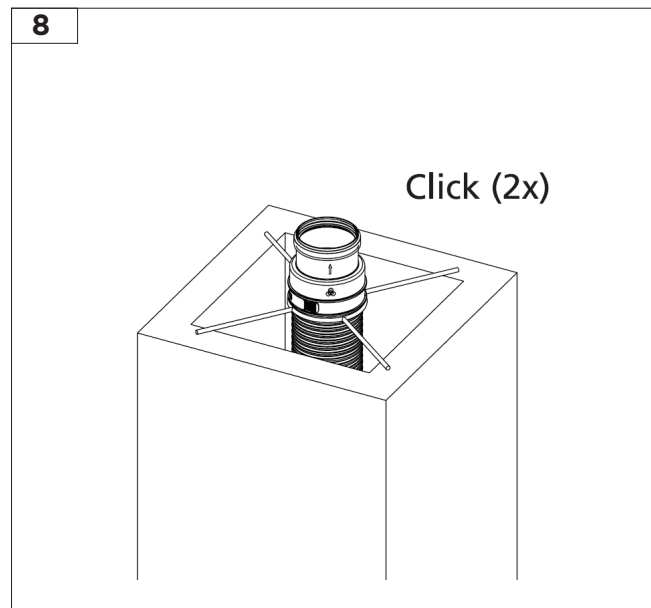
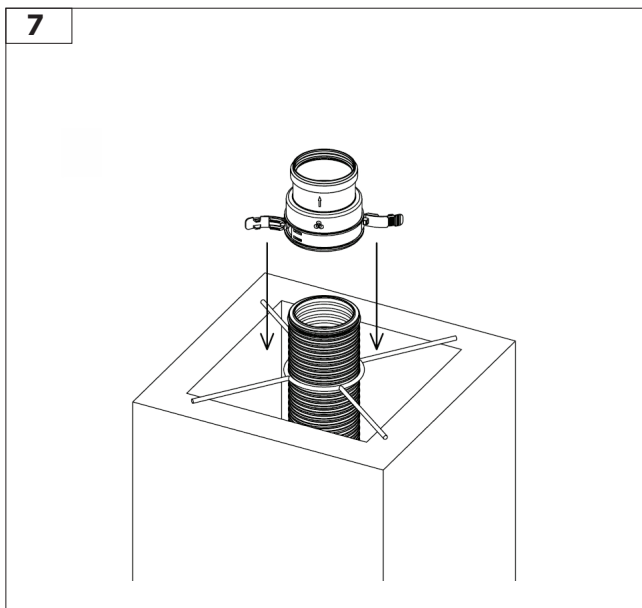
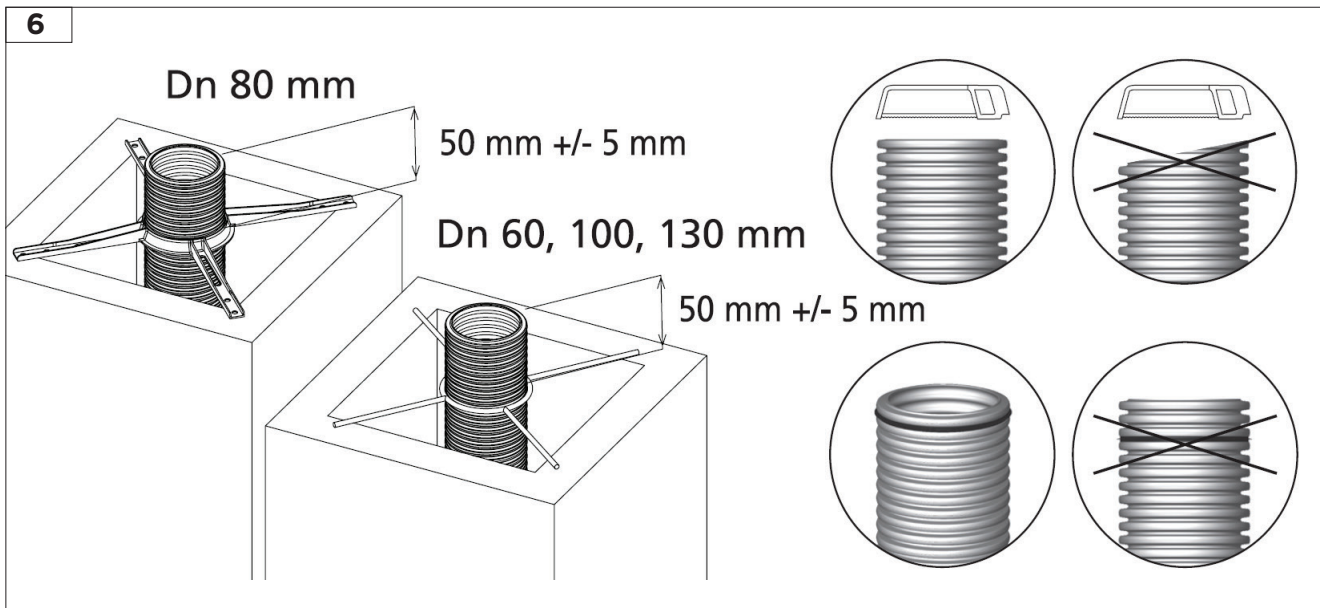


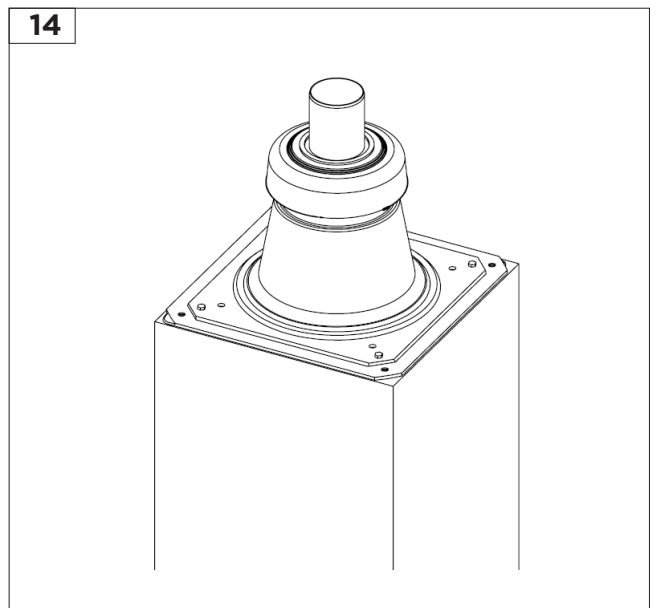
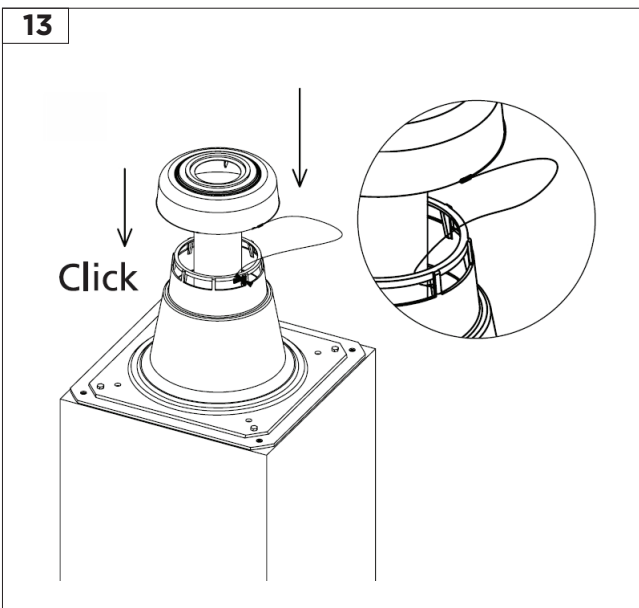
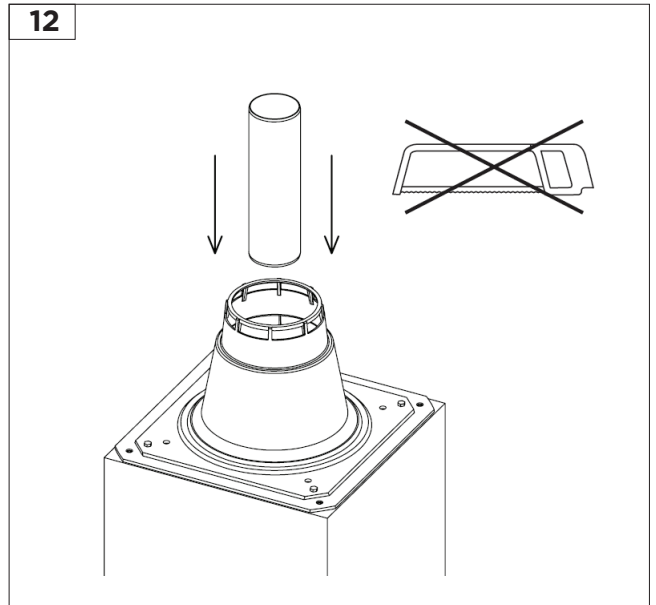
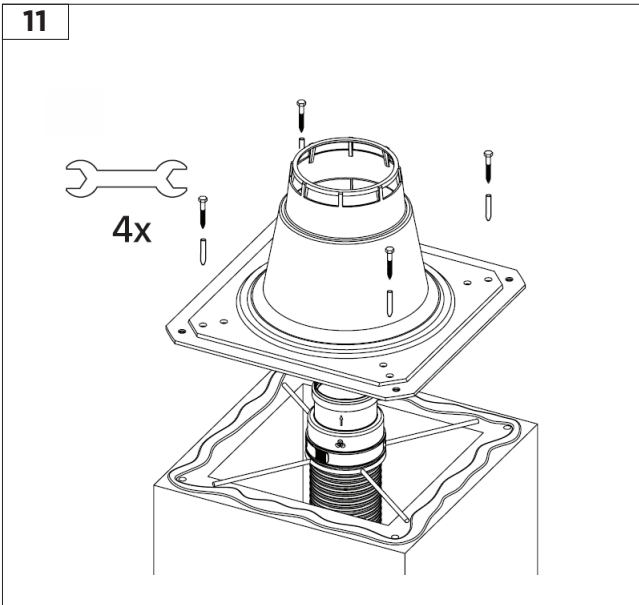
OPTIONS



A

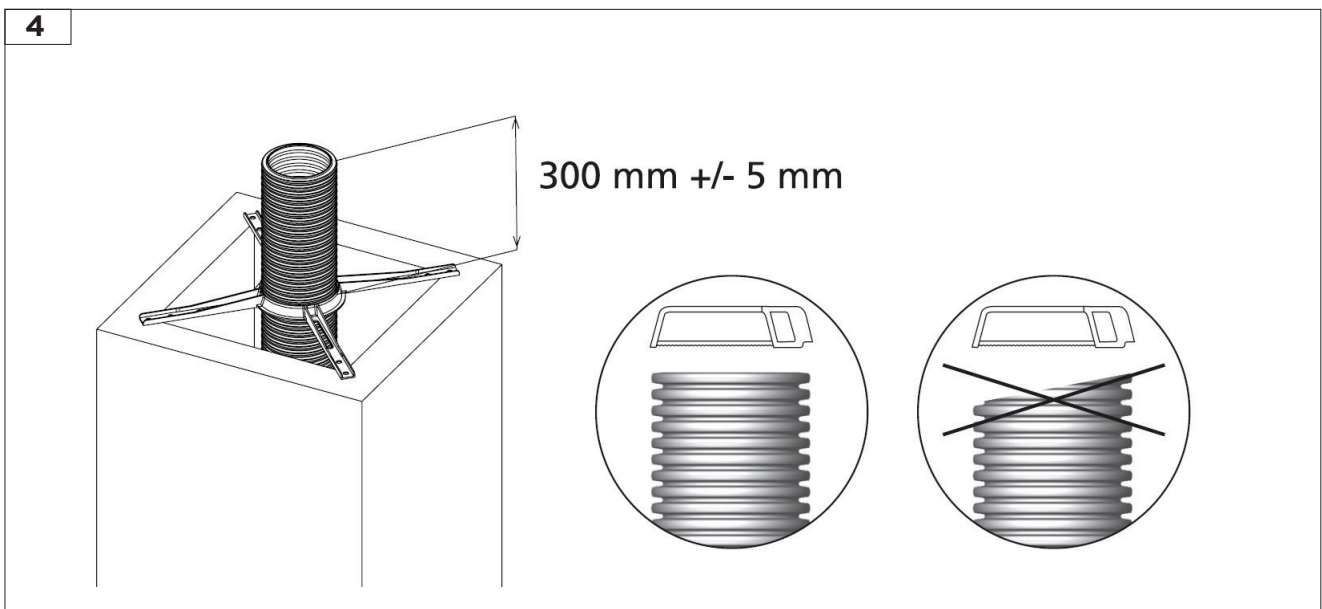
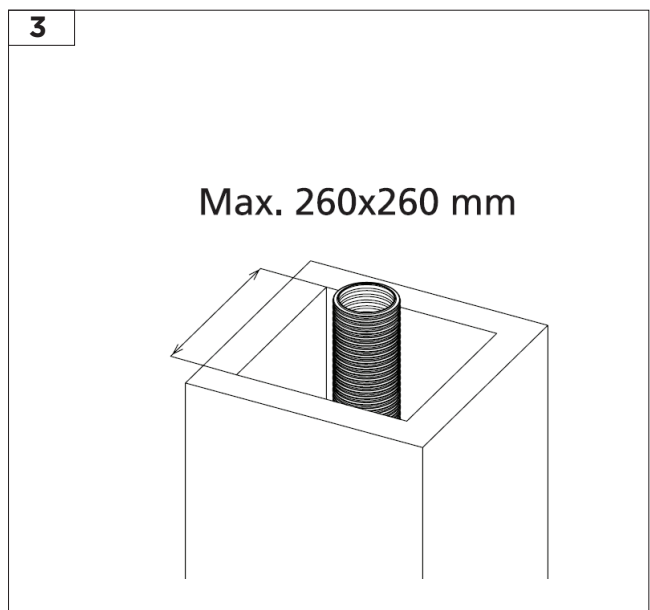
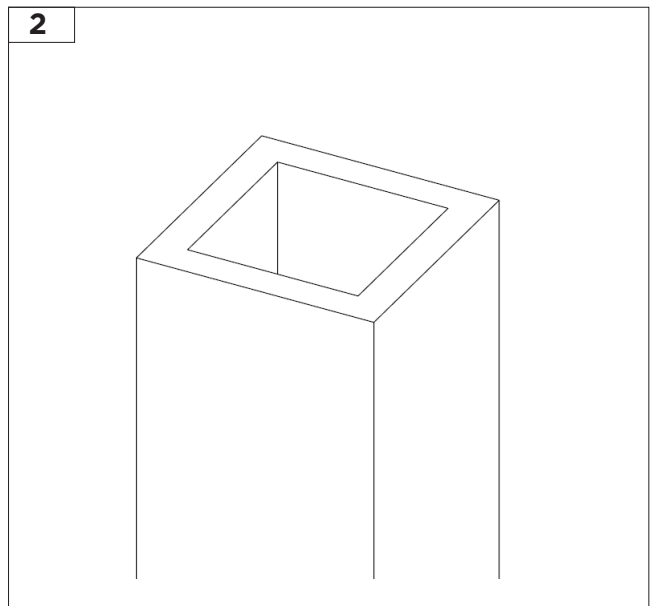
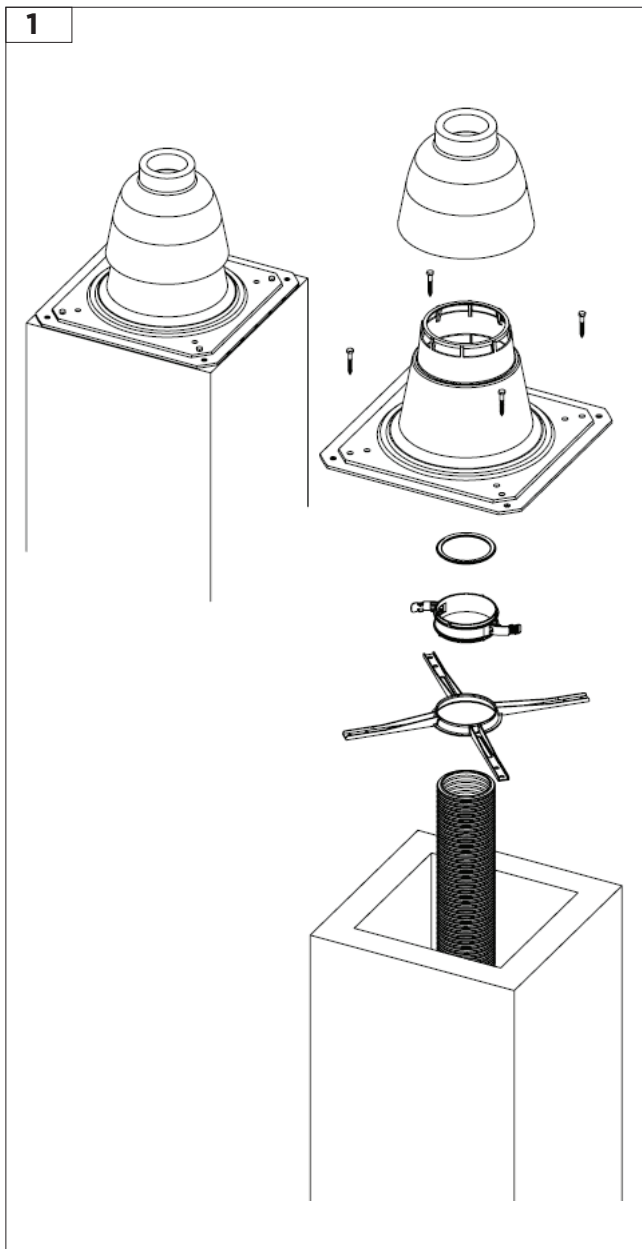




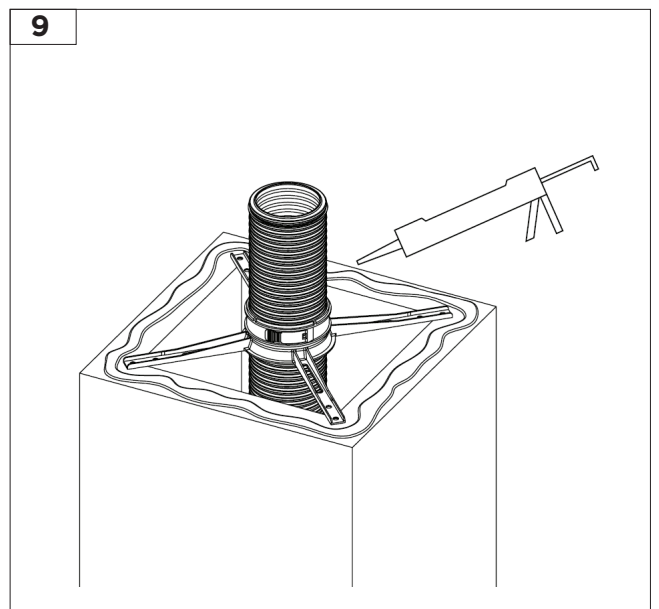
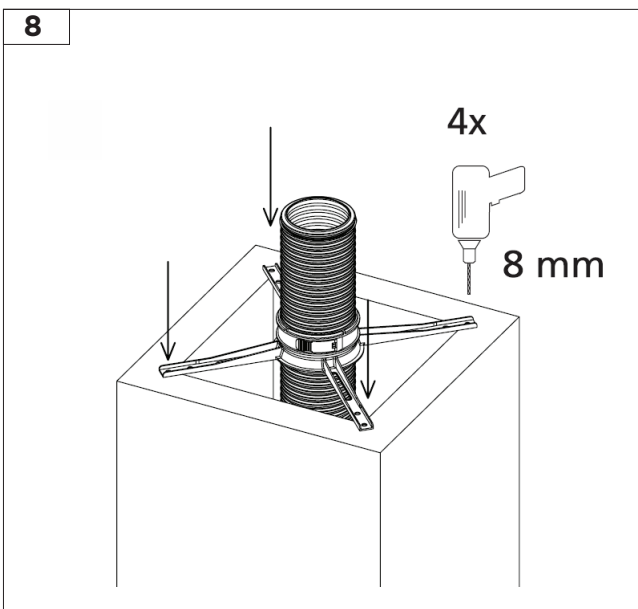
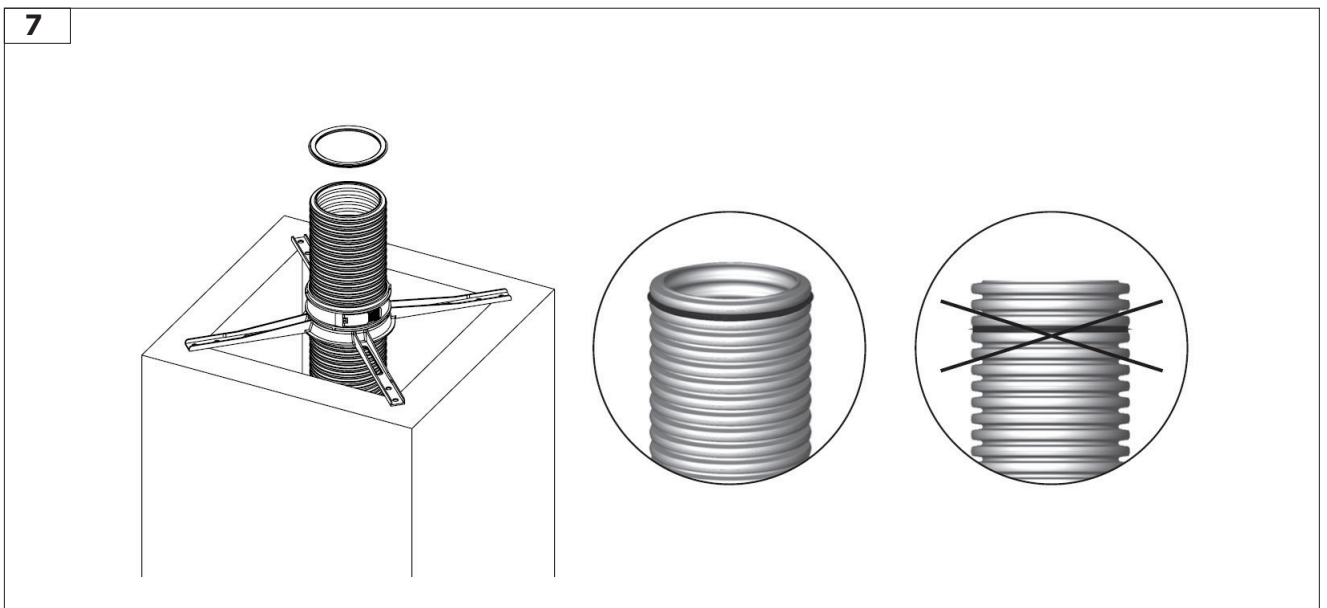
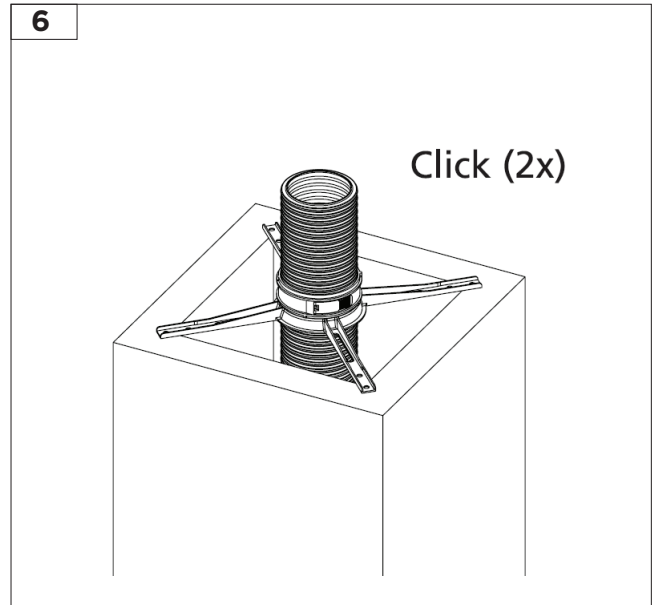
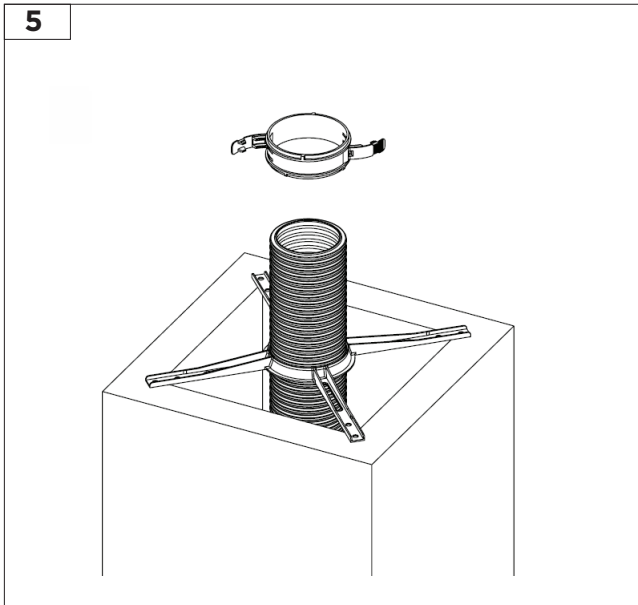




B

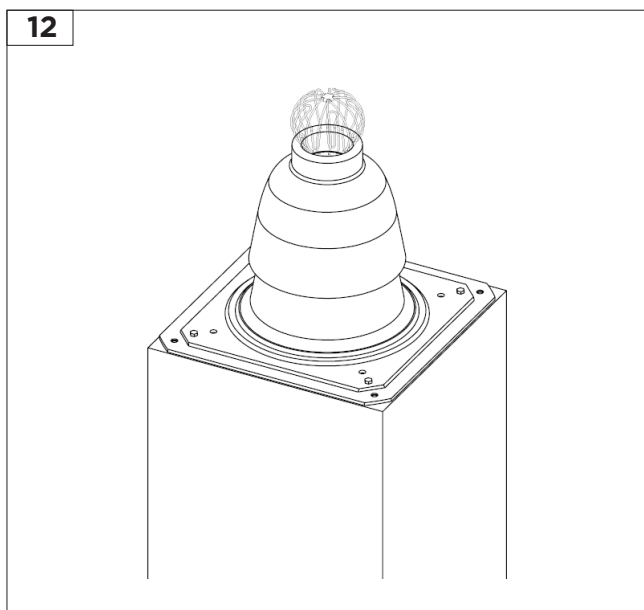
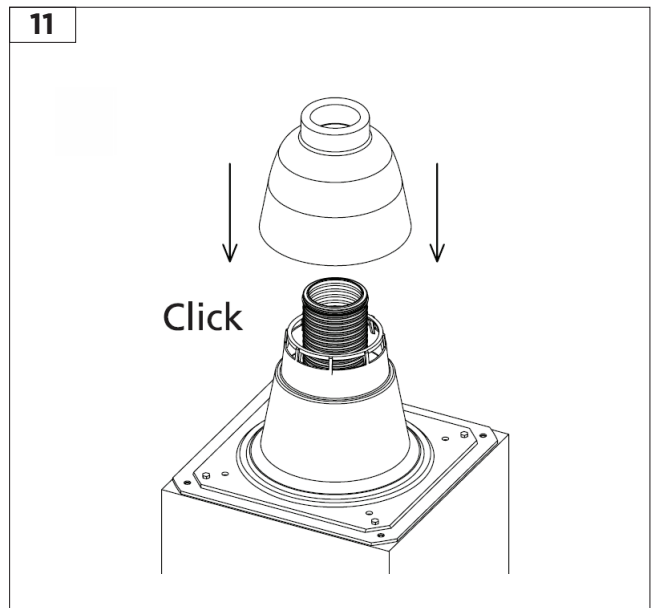
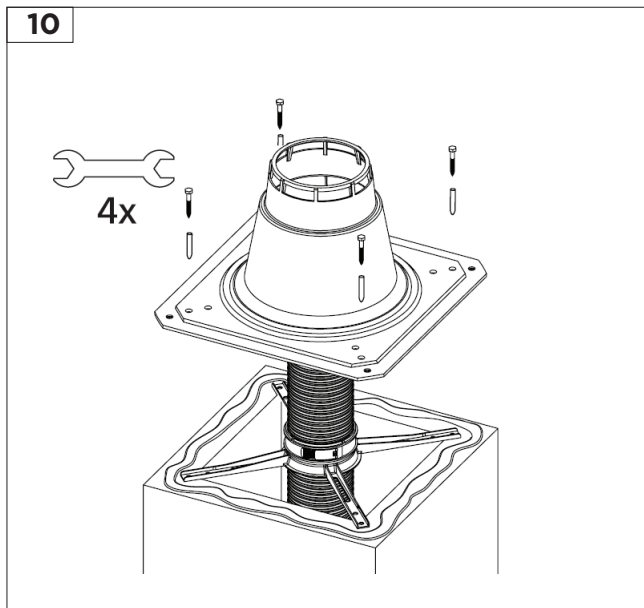


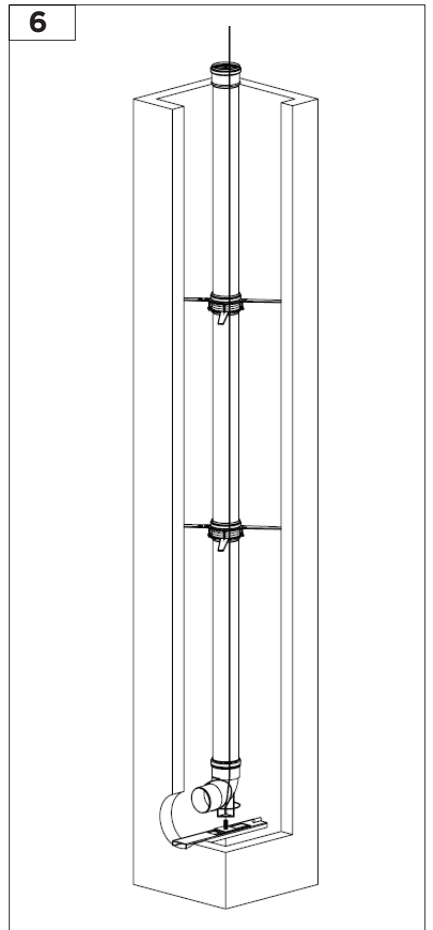
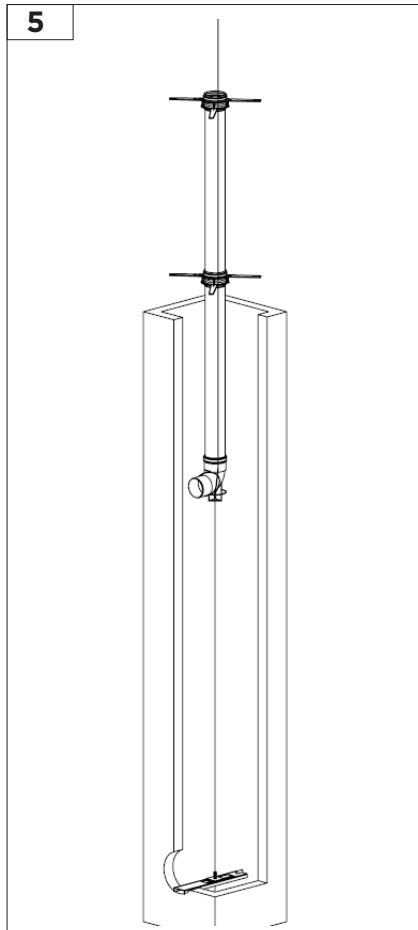
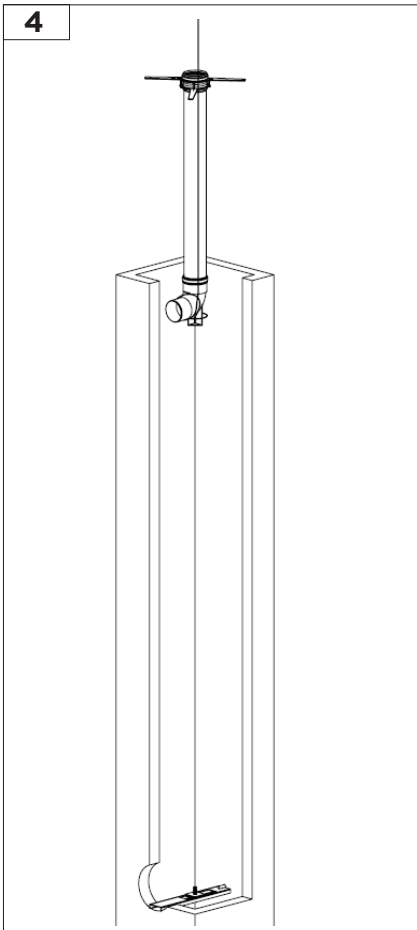
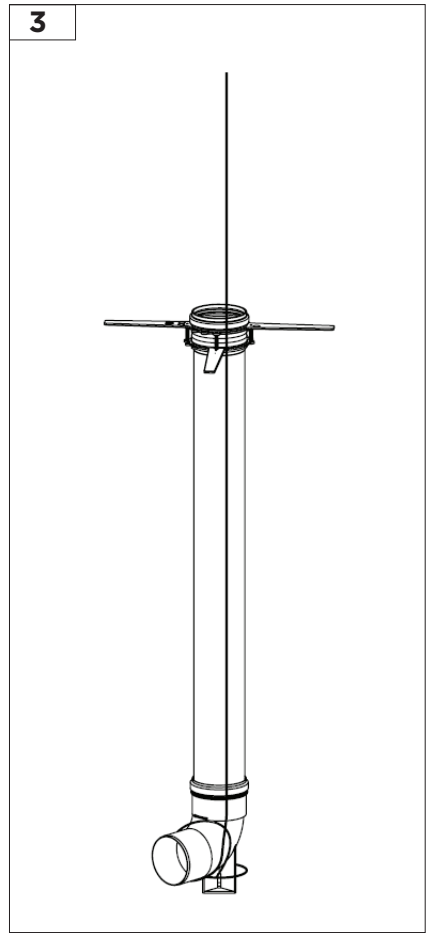
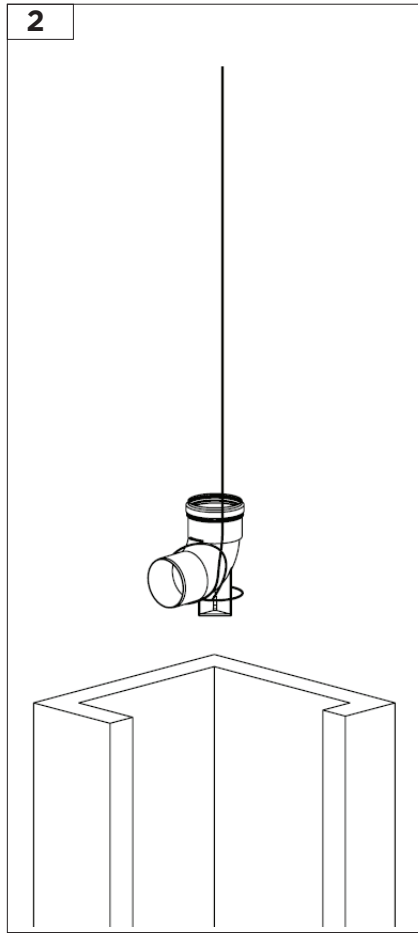
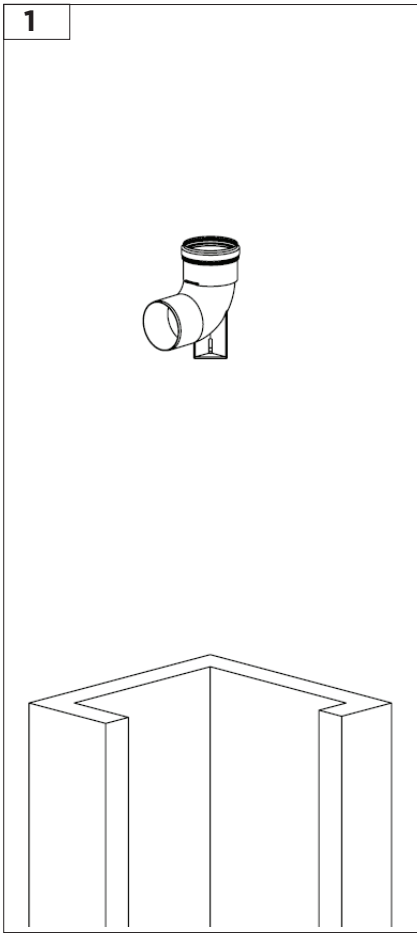
B

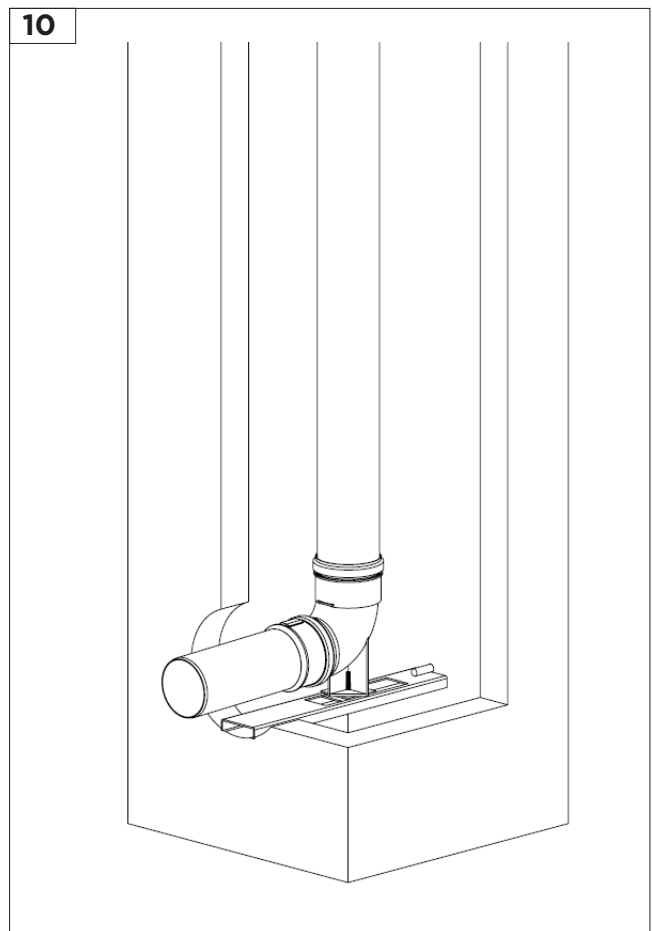
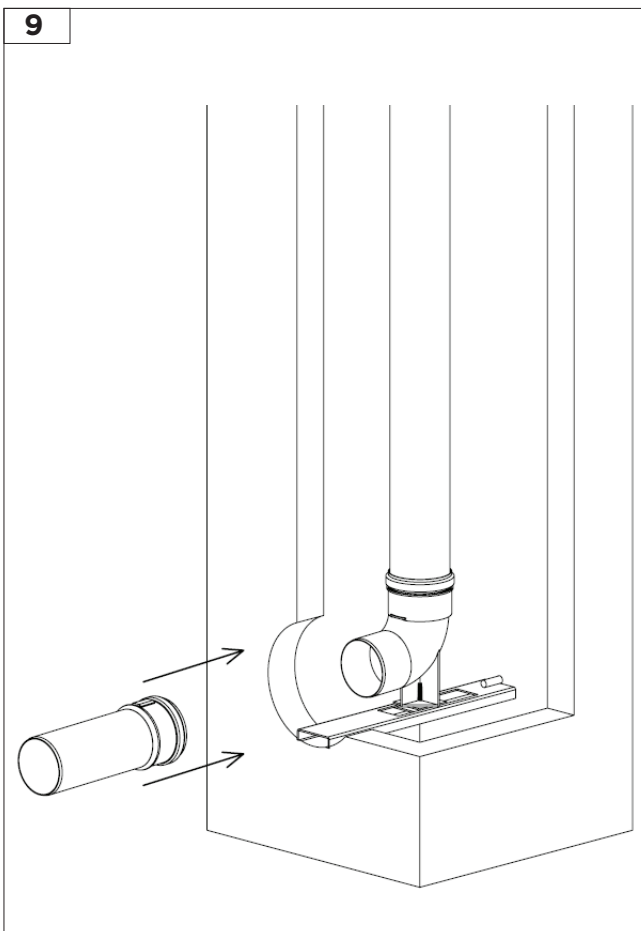
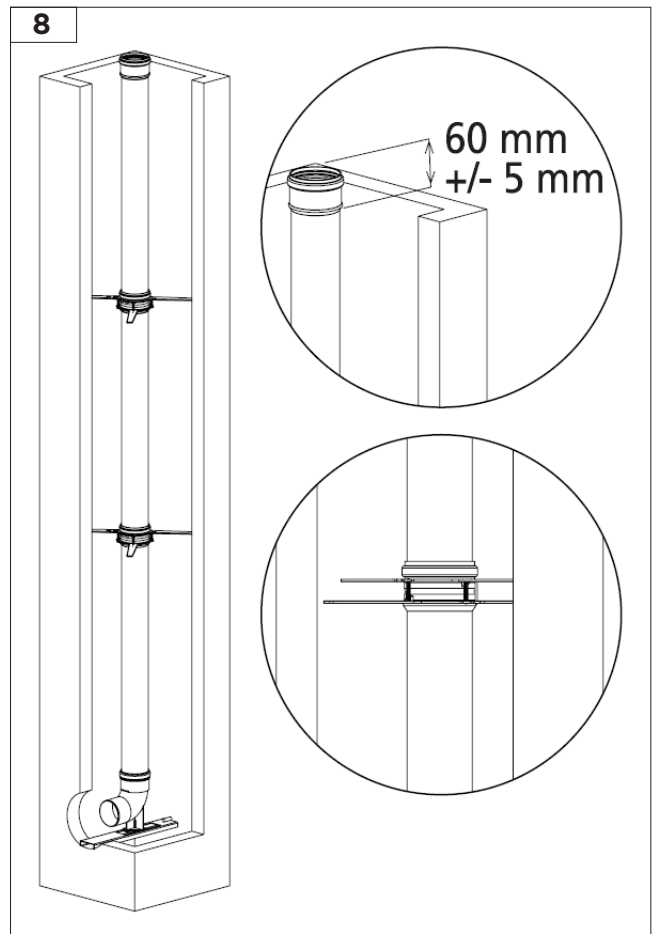
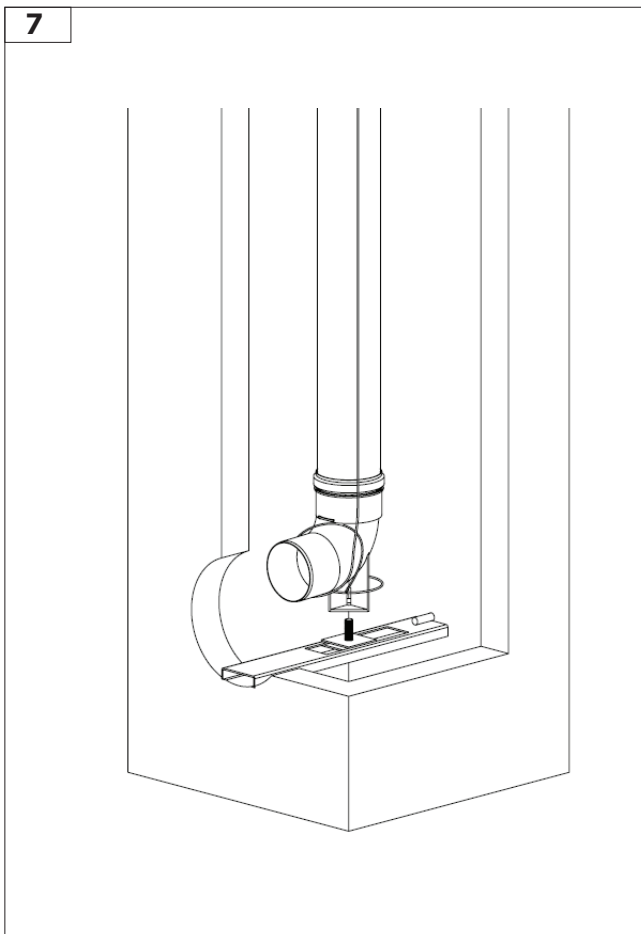


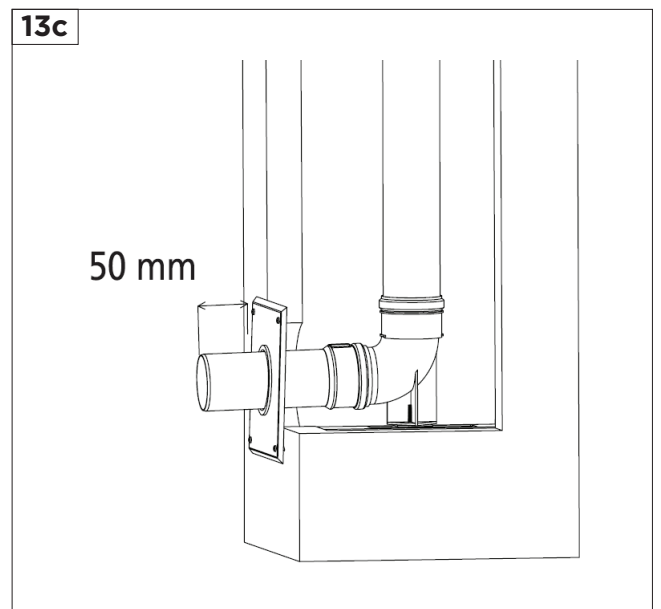
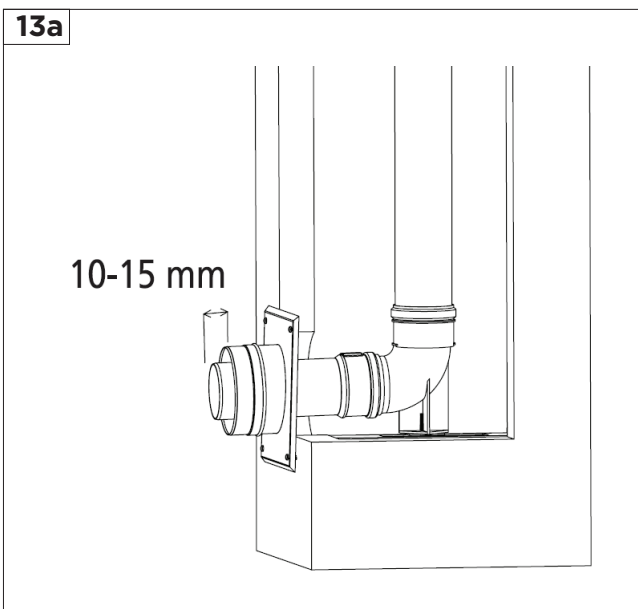
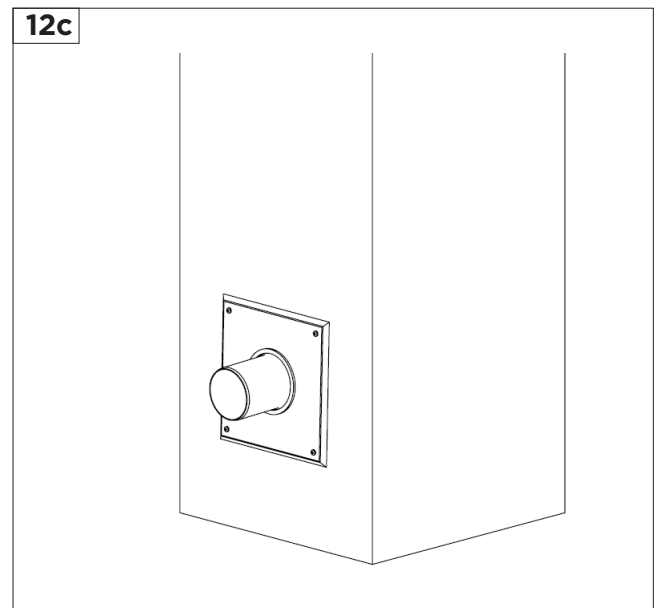
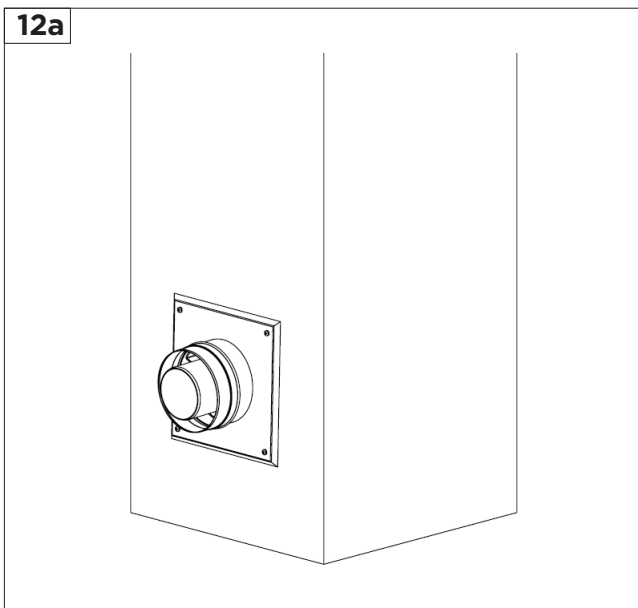
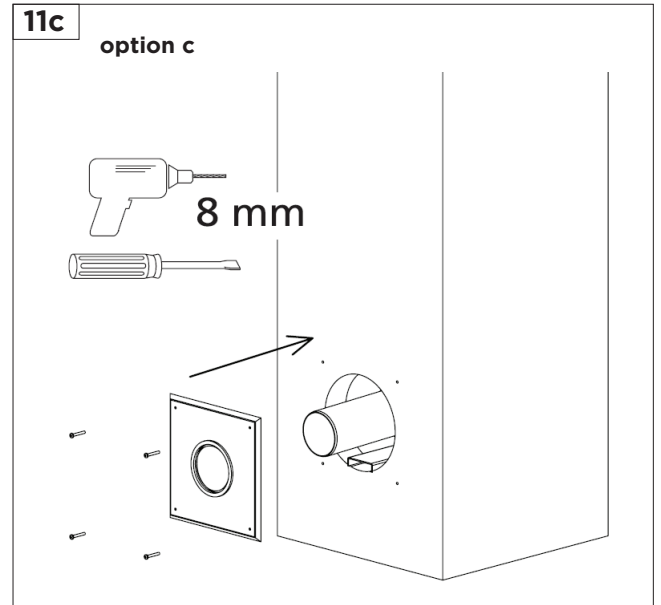
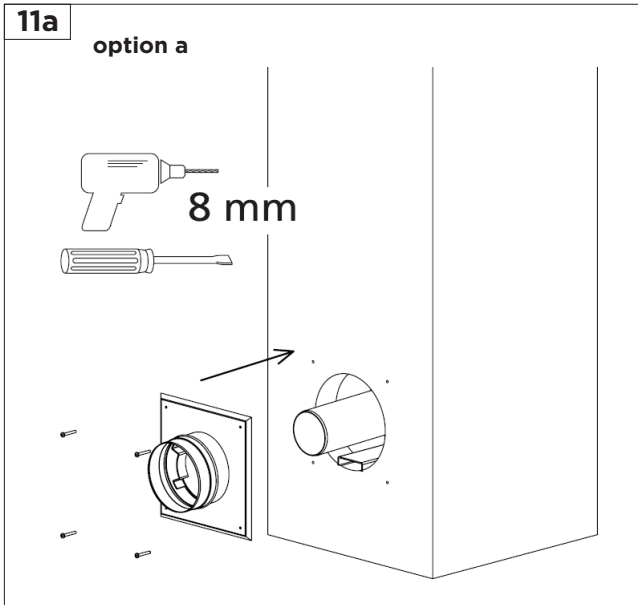


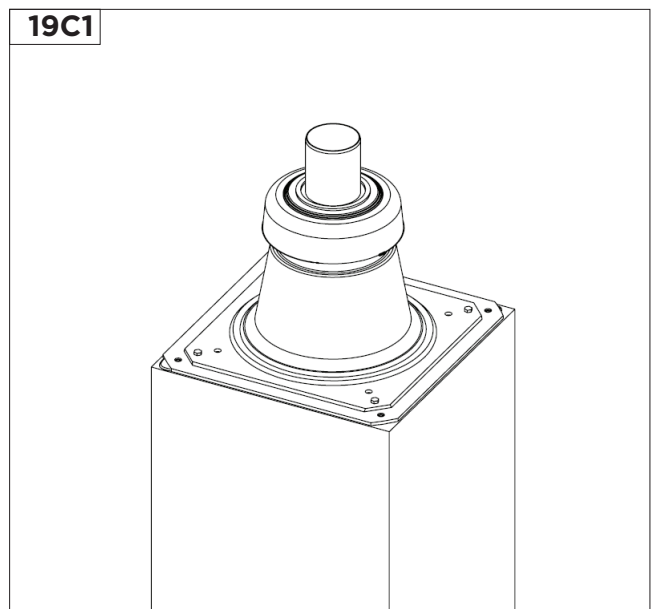
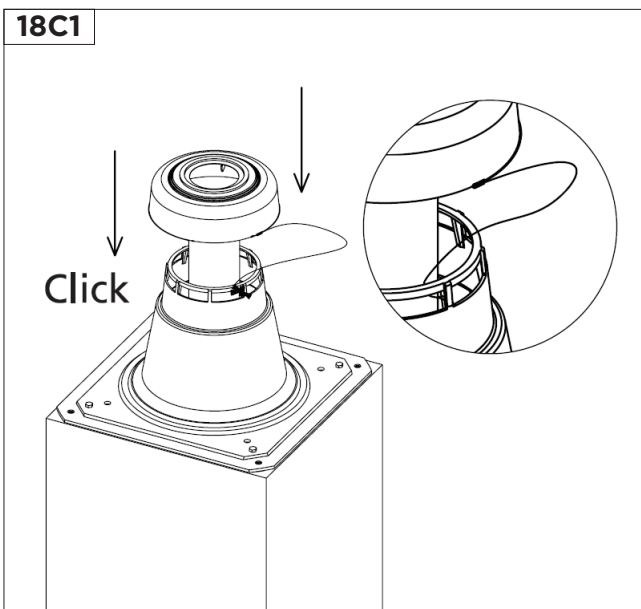
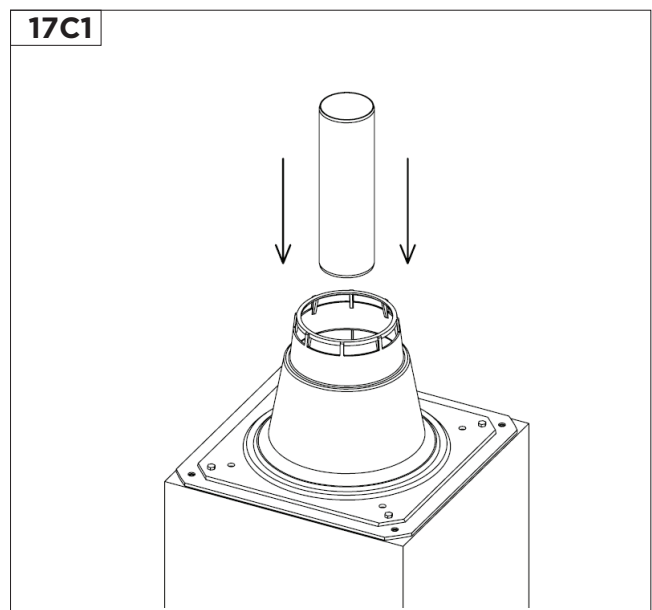
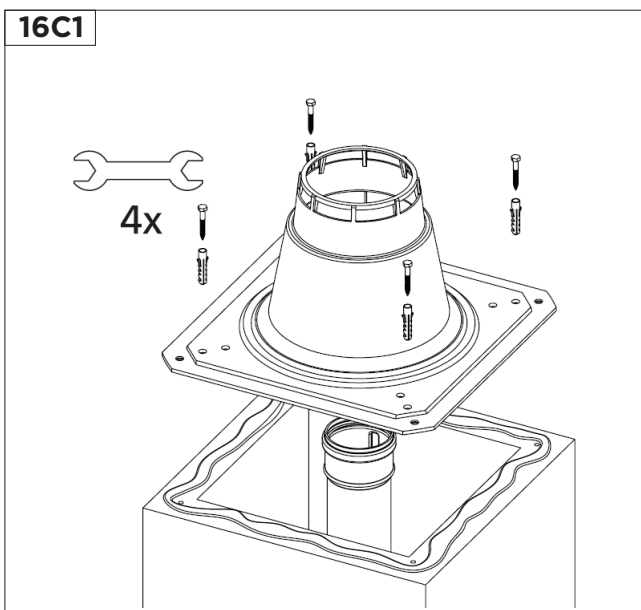
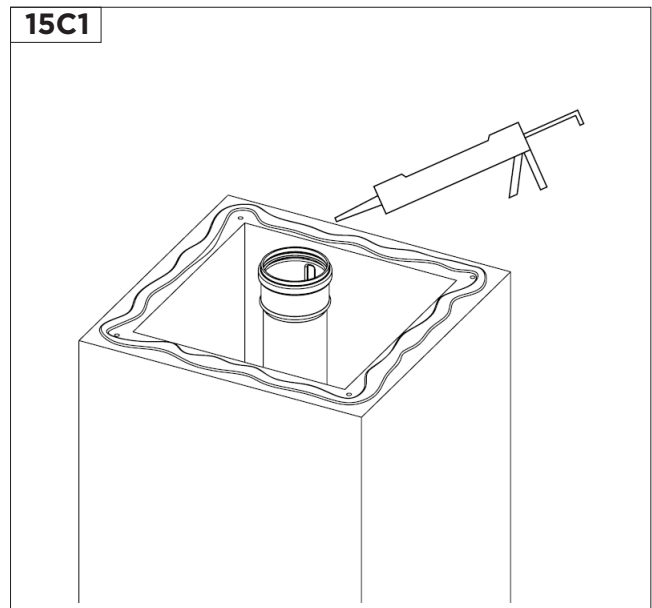
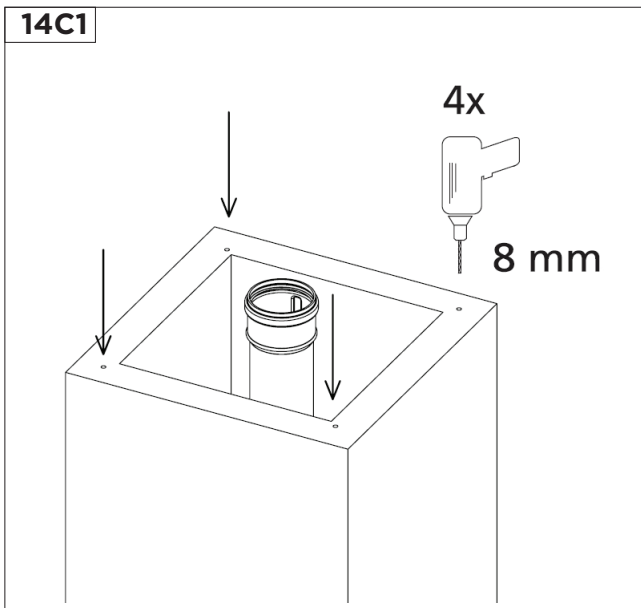
B

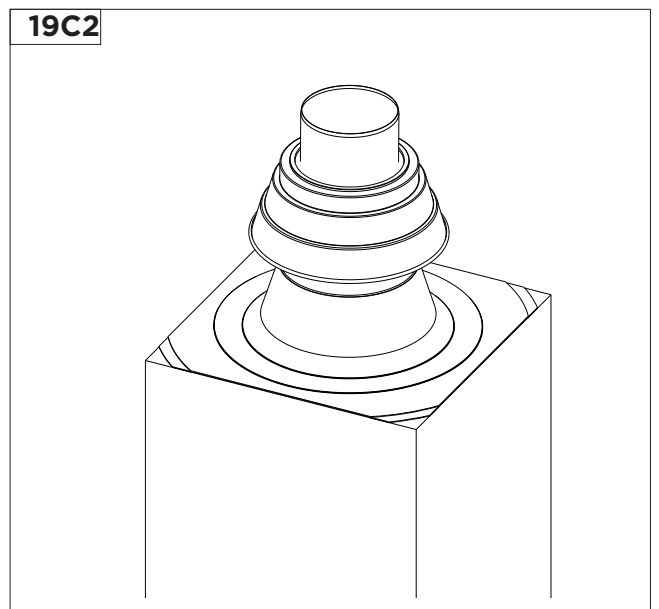
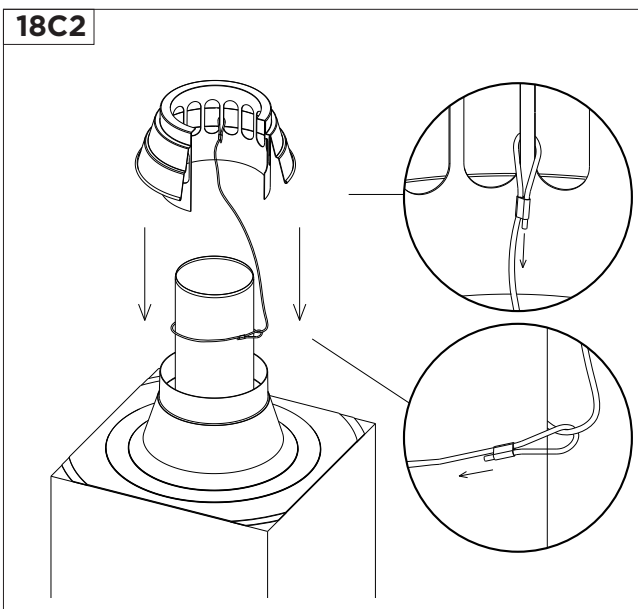
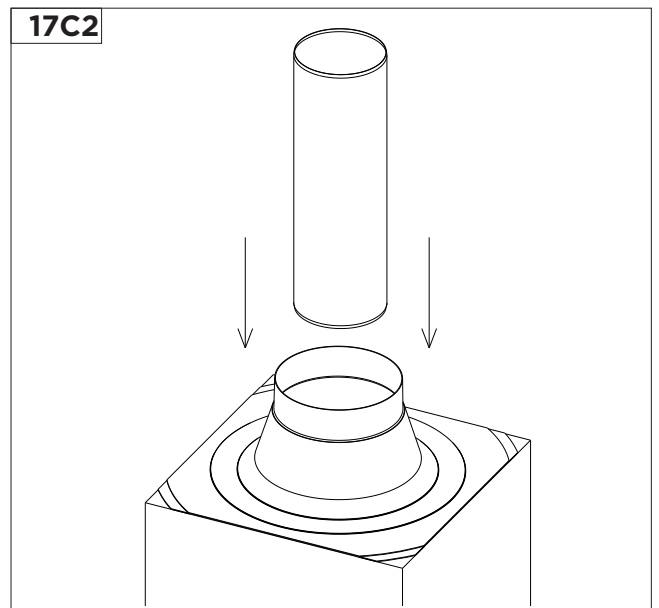
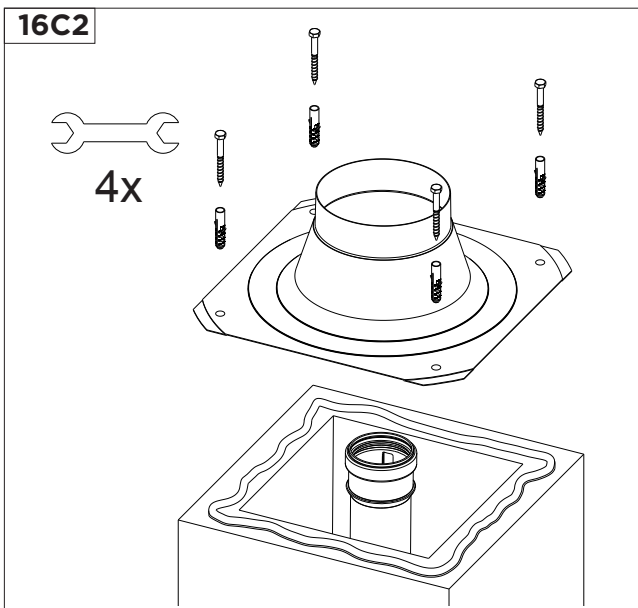
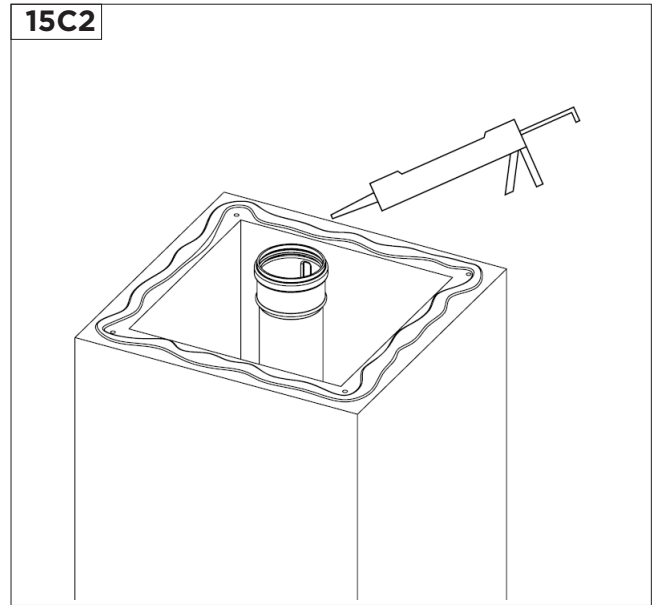
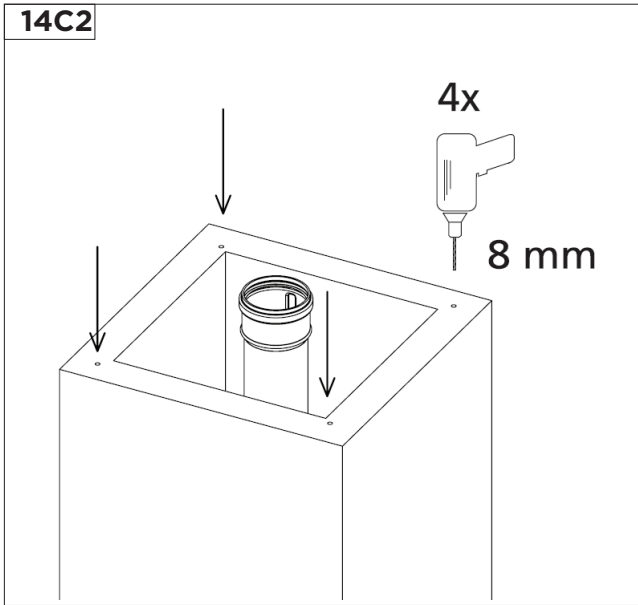














MAKING CLIMATE SYSTEMS WORK TOGETHER